

1.6 Cu. Ft. Over-the-Range Microwave Oven

QVM7167RNSS



Available
February 2020

Unit Specifications

Width	29 7/8"
Depth	15 7/8"
Height	16 7/16"
Weight	57 lb.
UPC	084691854340

Signature Features

Built-In WiFi

Stay connected, wherever you are. Communicate with your over-the-range appliance through your smart device, anytime, anywhere.

Scan-to-cook technology

Simply scan your food's barcode and your microwave will prepare it exactly how the manufacturer intended. Hundreds of foods currently work with this innovative technology, with more being added to the list all the time. Nom!

Voice enabled

Hands-free, voice-enabled devices give your life more freedom, control and convenience. Voice-control your over-the-range appliance through Amazon Alexa and Google for a more personalized cooking experience.

Easy clean interior with steam clean control

Life's too short for a long clean ups. With the easy clean interior and Steam Clean control, cleaning cooking spills is no biggie

Steam cook

Staying healthy starts in the kitchen. Steam cook functionality lets you cook healthy meals, quickly and easily.

Auto (sensor) cook

Smart tech takes the guesswork out of cooking. Sensor cooking feature adjusts cooking time and power level automatically, ensuring food is cooked perfectly, every time.

Backlit LED controls

Shine a light on your kitchen and your cooking skills. Easy-to-read, bright LED controls adds style and functionality to your over-the-range appliance.

1-5 minute express cook buttons

1-5-minute express cook buttons give you the instant cooking results you need for your on-the-go, need-it-now lifestyle

Add 30 sec.

Need just a few seconds more? You've got it! Ultra-convenient, the add-30-seconds button gives you the extra cooking power to turn not-quite-done into truly yum.

Warranty

— 1 Year Warranty (Parts and Labor)

Available Finishes



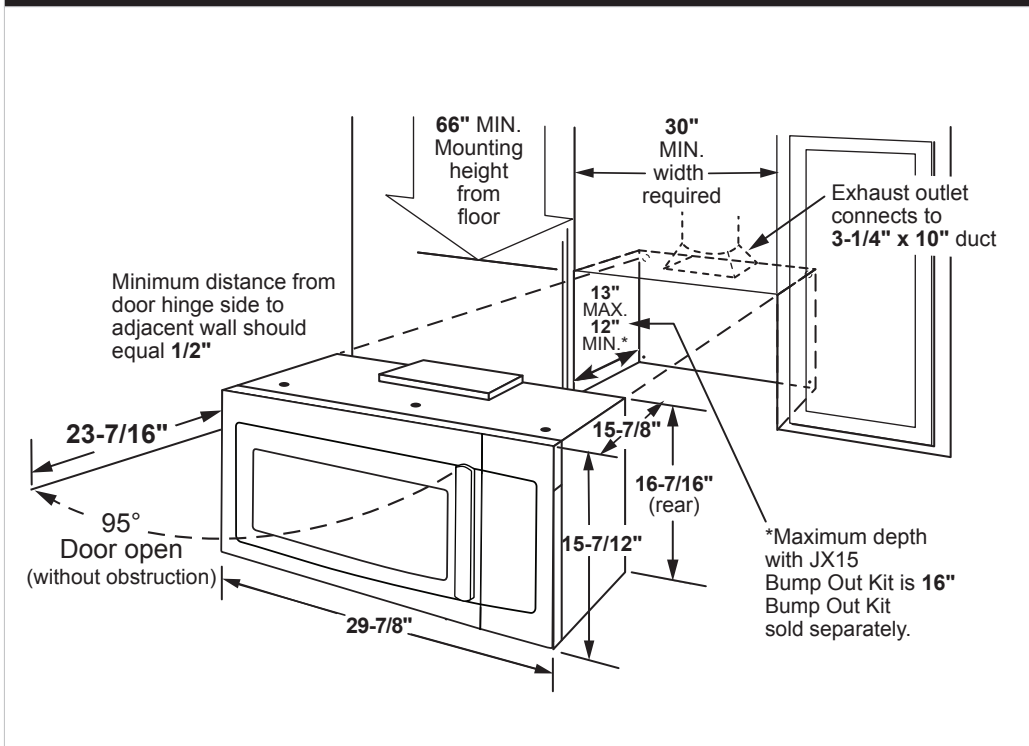
Stainless Steel
QVM7167RNSS



Black Stainless
QVM7167BNTS

Overall Packaging Details		
Packaging		lb./in.
Gross Weight		66 lbs.
Dimensions	W	33.3"
	D	19.3"
	H	20.5"
Power Requirements		
Electrical Rating		120V, 60Hz

Product Technical Illustration



General Appliance Information

Please read all installation details and instructions before use.

Contact Us

For questions regarding this product please refer to our website at haierappliances.com or call our customer service center at 877-337-3639.

