

# FRIGIDAIRE

FFFU20F1UW

Available Colors : White

Version : 01/20

Upright Freezer

20.0 Cu. Ft Upright Freezer



## Product Specifications

### Certifications & Approvals

CSA Listed	Yes
ENERGY STAR® Certified	No

### Freezer

Automatic Defrost	Yes
Convertible	Yes
Door Bin Color	White
Interior Lighting	LED
Number of Adjustable Shelves	4
Number of Baskets / Bins	1
Number of Fixed Door Bins	4
Shelf Material	Wire
Total Number of Door Bins	4
Total Number of Shelves	4

### Controls

Control Location	Right side wall
Control Type	Electronic controls
Power On/Off	Yes

### Electrical Specifications

Minimum Circuit Required (Amps)	15
Voltage Rating	115V 60Hz

### General Specifications

Annual Energy (kWH)	540
Leveling Legs	Yes
Refrigerant Type	R600a

### Exterior

Cabinet Color	White
Cabinet Finish	White
Reversible Door	No

### Dimensions and Volume

Depth With Door	28-29/32"
Depth With Door 90° Open	61-11/16"
Freezer (Cu. Ft.)	20
Height With Hinge	76-13/16"
Total Capacity (Cu. Ft.)	20
Width	32-13/16"

FFFU20F1UW

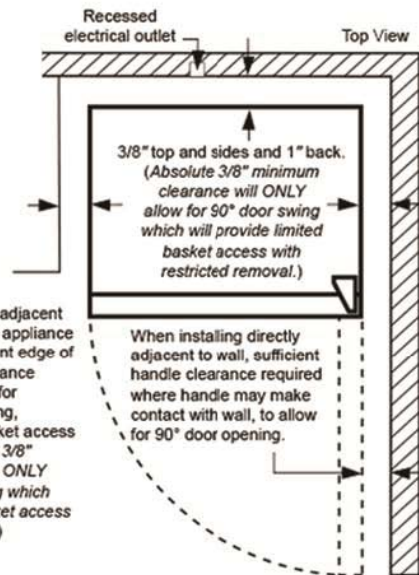
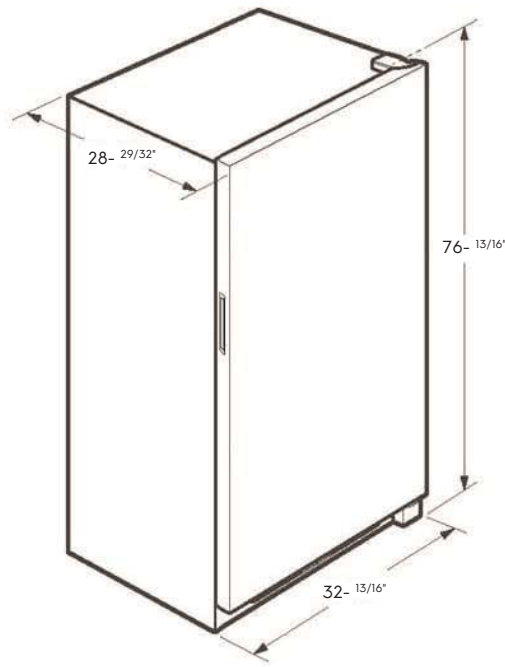
Available Colors : White

Version : 01/20

Upright Freezer

20.0 Cu. Ft Upright Freezer

## Installation Drawing



When installing freezer adjacent to wall, cabinet or other appliance that extends beyond front edge of unit, 20" minimum clearance recommended to allow for optimum 125° door swing, providing complete basket access and removal. (Absolute 3/8" minimum clearance will ONLY allow for 90° door swing which will provide limited basket access with restricted removal.)

Note: For planning purposes only. Always consult local and national electric, gas and plumbing codes. Refer to Product Installation Guide for detailed installation instructions on the web at [frigidaire.com/frigidaire.ca](http://frigidaire.com/frigidaire.ca). Specifications subject to change. Accessories information available on the web at [frigidaire.com/frigidaire.ca](http://frigidaire.com/frigidaire.ca)