

IS BMW 100

Technical Sheet

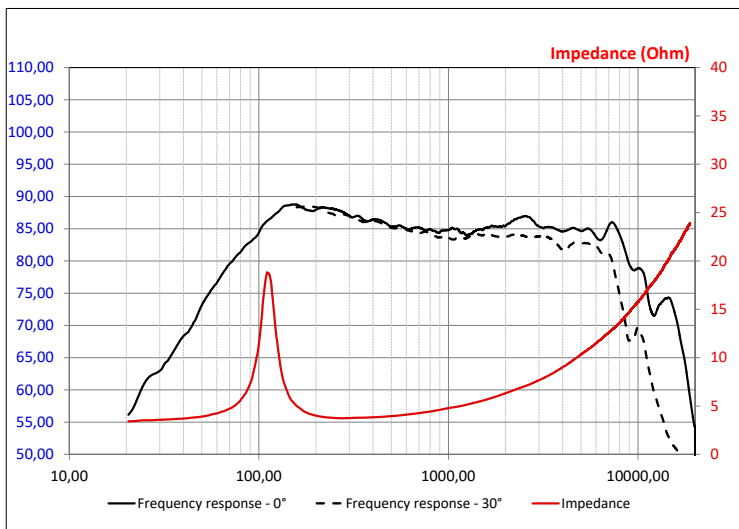
Woofer



SPECIFICATIONS

Nominal power	40 W
Maximum power	80 W
Sensitivity	89.5 dB
Nom. impedance	4 Ω
Cone	Polyglass
Surround	Butyl
DC resistance	3.5 Ω
VC diameter	25 mm 1"
Former	Kapton
Layers	2
Wire	Copper
Net weight	400 g 0.88lb
Frequency response	80-23000 Hz
Crossover	6 dB/Oct @4 kHz

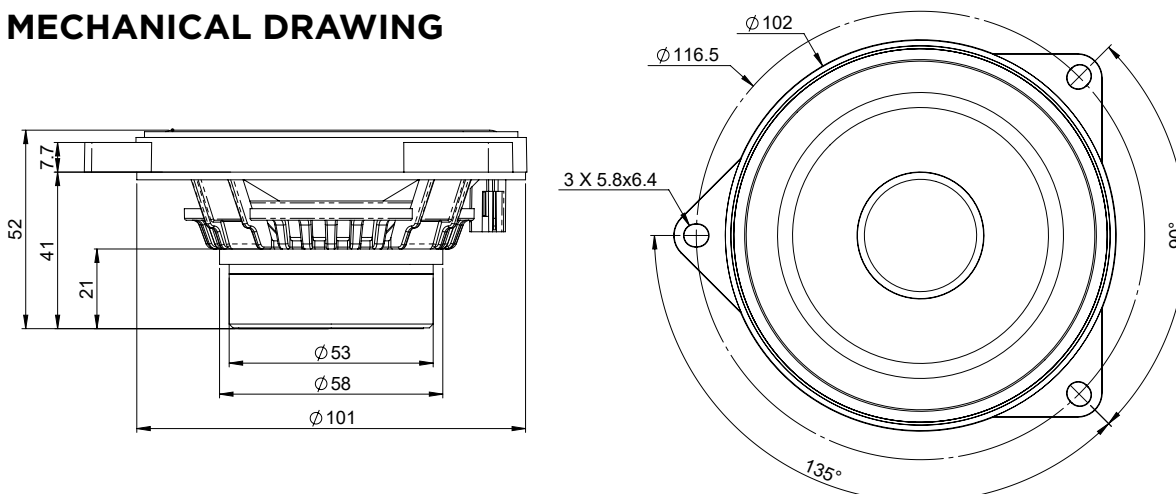
FREQUENCY RESPONSE/IMPEDANCE



PARAMETERS

Rdc	3.5 Ω
Fs	110 Hz
Mms	4.5 g
Cms	0.4 mm/N
Vas	1.3 l
Qts	1.1
Qes	1.2
Qms	8
Bxl	4 N/A
Sd	50.7 cm ²
SPL	89.5 dB
Xmax	2 mm

MECHANICAL DRAWING



FOCAL® INSIDE

Focal® is a trademark of Focal-JMLab® - www.focal.com - SCAA190920/1

 **FOCAL**[®]
LISTEN BEYOND