



TM

chantal®

The Mia E kettle®



4 Cup  
Electric Water Kettle



**MODEL NUMBER  
ELSL37-03M**

# FOR HOUSEHOLD USE ONLY IMPORTANT SAFEGUARDS

When using electrical appliances, basic safety precautions should always be followed, including the following: *See parts diagram.*

1. Please read all Instructions before use.
2. **DO NOT** place kettle on stovetop!
3. Electric kettle must be operated on a flat surface. **DO NOT** place on or near a gas or electric stove top, or near a heated oven, or on the top of other electric appliances.
4. Always seat appliance onto power base first, then plug cord into the wall outlet. To disconnect, turn switch to off, then remove plug from wall outlet.
5. Do not fill kettle when positioned on base. Dry the water on the exterior bottom of the body before placing it onto power base.
6. **DO NOT** touch hot surfaces. Boiling will make the body, spout and lid too hot to touch. Pick up kettle by the handle only.
7. **DO NOT** leave the appliance unattended when in use. Close supervision is necessary when any appliance is used by or near children.
8. Be aware of steam being emitted from spout or lid especially during refilling. **DO NOT** remove lid during boiling cycle and make sure lid is firmly on before boiling with vent holes facing handle.
9. **DO NOT** adjust the auto shut-off steam tube from inside the kettle.
10. Scalding may occur if the lid is removed during the brewing cycles.
11. Do not use the kettle to heat anything other than water. **DO NOT** fill above the "MAX" indication. **DO NOT** operate kettle if the water level is less than one cup. If the kettle is overfilled, boiling water may be ejected from the spout. The kettle is only to be used with the power base provided.
12. To protect against fire, electrical shock and injury to persons, do not immerse power base, cord, plug or kettle in water or other liquid.
13. To avoid circuit overload, **DO NOT** operate another high wattage appliance on the same circuit.
14. **DO NOT** use a power base unit other than the one supplied. The use of accessory attachments not recommended by the appliance manufacturer may result in fire, electrical shock or injury to persons.
15. **DO NOT** operate any appliance with a damaged cord or plug or after the appliance malfunctions, or has been damaged in any manner. Call our toll-free Customer Assistance Number for examination, repair or adjustment.
16. **DO NOT** try to make any repairs by disassembling the electrical bases on the kettle body or power base.
17. **DO NOT** let cord hang over edge of table or counter.
18. Always unplug from outlet when not in use or before cleaning. Allow to cool before cleaning the appliance.
19. Kettle and power base are **NOT** dishwasher safe.
20. Do not use appliance for other than intended use.
21. Do not insert any object into slots or holes of the kettle.
22. Do not use outdoors.

# SAVE THESE INSTRUCTIONS!

## Consumer Safety Information

THIS APPLIANCE IS INTENDED FOR HOUSEHOLD USE ONLY

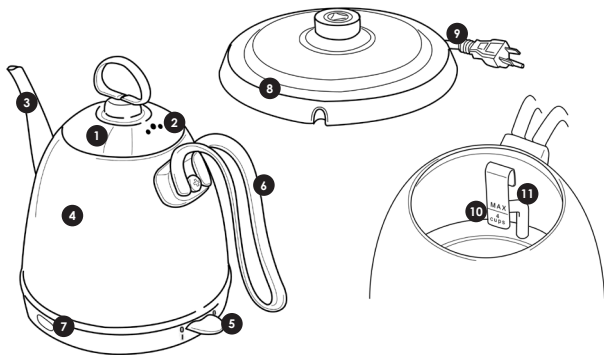
To reduce the risk of injury, do not drape cord over the counter top or tabletop where it can be pulled on by children or tripped over unintentionally.

**CAUTION:** This appliance is equipped with a 3-pronged polarized plug. The larger prong is to be inserted into the receptacle with the larger slot. To ensure continued protection against risk of electrical shock, connect to properly grounded outlets only.

## Notes on the cord:

1. A short power-supply cord is provided to reduce risks resulting from becoming entangled in or tripping over a long cord.
2. Extension cords may be used if care is exercised in their use.
3. If an extension cord is used:
  - a. The marked electrical rating of the extension cord should be at least as great as the electrical rating of the appliance.
  - b. The longer cord should be arranged so that it will not drape over the counter top or table top where it can be pulled on by children or tripped over.

## PARTS



1. Lid
2. Steam Vent Holes
3. Spout
4. Body

5. ON/OFF Switch
6. Stay-Cool Handle
7. Neon ON light
8. Power base

9. Cord and Plug
10. MAX water
11. Auto Shut Off Steam Tube

## FEATURES

- Slow pour spout
- Rapid boiling
- MAX water level indicator
- Steam control to switch the kettle off after boiling
- Neon light to notify when kettle is boiling
- Automatically shuts off for boil-dry protection
- Easy seat 360° rotational power base
- Stainless steel kettle body
- Vented lid for smooth safe slow pour
- Vented lid to insert thermostat probe if desired, which requires inserting the probe at an angle towards the center of kettle

## OPERATING INSTRUCTIONS

Before first use, it is recommended that you fill to the maximum level mark with fresh water, boil and empty the kettle at least 3 times to clear kettle of any tiny particles. Do not drink the water.

1. Open the lid.
2. Fill the kettle with desired amount of water (no less than the 1 cup and no more than the 4 cups). Close lid with vent holes of lid always facing handle.
3. Connect the plug into a power outlet (110-120V AC); switch the kettle on by pressing the switch. The neon light will illuminate to indicate the kettle is heating.
4. The kettle will automatically switch off once the water has boiled and the neon light goes off.
5. Pour out water and repeat process.
6. After final rinse let kettle body cool.

### TO BOIL WATER

1. Remove kettle from unplugged power base.
2. Remove lid.
3. Fill with water, but no more than MAX water level indicator.
4. Press lid on so that it seals.
5. Always have vent holes of lid facing handle.
6. Place on the 360° power base.
7. Plug into appropriate outlet.
8. Press power switch downward and neon light will appear.
9. When water has boiled it will automatically switch off and neon light will turn off.
10. Lift kettle and pour water slowly into desired vessel.
11. Replace kettle onto power base.
12. Always check MAX water level indicator before boiling water.

### IF KETTLE BOILS DRY

1. The Automatic Boil-Dry protection will activate and shut off the kettle when there is no water to boil.
2. Remove kettle from power base and set on flat counter with the lid removed.
3. After 10 minutes refill kettle with cold water up to MAX water level.
4. Replace lid and put on power base and push switch to heat water.

## CLEANING

- To prolong the kettle's life, clean the mineral deposits (white spots) from the interior of the kettle regularly.
- Always unplug from the receptacle and allow cooling down before cleaning the exterior or interior of the kettle.
- **DO NOT** clean by immersing kettle body or power base in water.
- Do not use steel wool or abrasive cleaners to clean the outside or inside of the kettle.

### Cleaning Methods:

1. Fill the kettle half way with water and add ¼ cup of white vinegar and turn on to boil. **DO NOT** fill over MAX water level.
2. After boiling, empty the solution from the kettle. Refill the kettle with clean water, bring to boil and then discard the water. Repeat and the kettle will be ready to use.
3. If heavy mineral deposit buildup exists, repeat the operations above for several times.
4. The surface of the kettle may be wiped over with a damp cloth and polished with a soft dry cloth.

## E kettle® MODEL

Model No.	Rated voltage	Rated power	Frequency	Capacity	Dimensions	Weight
<b>ELSL37-03M</b>	110-120V~	1000W	60Hz	32 Oz.	9.84" x 5.91" x 7.17"	1.32 lbs



5425 North Sam Houston Parkway West • Houston, Texas 77086 USA

Ph: 281-587-7800 • Fax: 281-444-1253 • [www.chantal.com](http://www.chantal.com)

This information comprises intellectual property of Lentrade, Inc. d/b/a Chantal Corp. The unauthorized use or reproduction of this content without the express written consent of Chantal is prohibited.

© 2015 Chantal Corp. • All Rights Reserved.

**SAVE THIS FOR YOUR RECORDS.**