





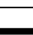

HOOKER[®]

— FURNITURE —

ASSEMBLY INSTRUCTION

Item#: 5751-10459-99 Lift-Lid Writing Desk

**** Please make sure you have all parts indicated below prior to assembly. This table is heavy and can best be assembled with the help of two or more people.**

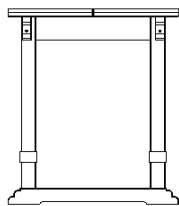
NO.	HARDWARE LIST		Q'TY
A		FLAT WASHER	24
B		LOCK WASHER	24
C		5/16*60mm BOLT	8
D		ALLEN WRENCH	1
E		5/16*100mm BOLT	8
F		5/16*250mm BOLT	8

Note:

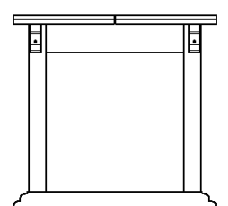
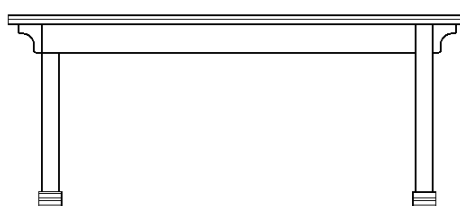
1. Height of this desk can be adjusted with or without extension block. (30 3/4" and 36 3/4" heights)



36 3/4" height



30 3/4" height



Assembly steps without extension blocks:

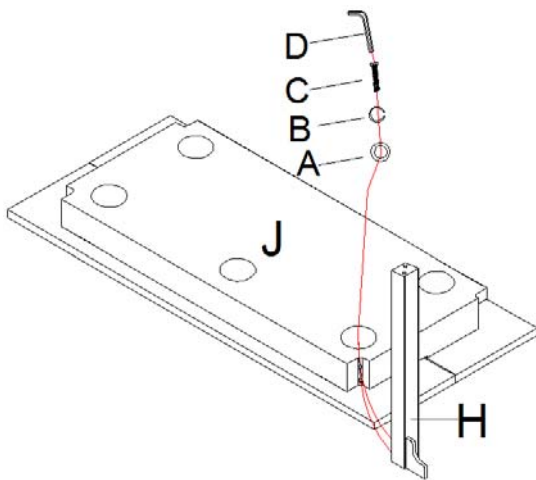


Diagram 1

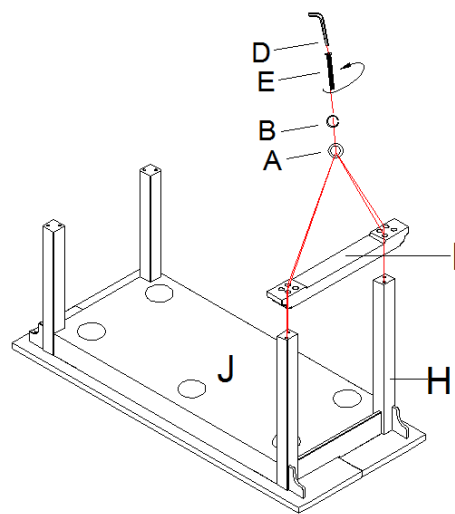


Diagram 2

1. Place desk top (J) upside down on a soft surface to prevent it from being scratched.
2. Follow numbers on legs and corner blocks. Attach leg posts (H) to desk top (J) by using flat washers (A), lock washers (B) and bolts (C), secure by turning with allen wrench (D) in a clockwise direction. (See Diagram 1)
3. Attach two bottom bases (I) to leg posts (H) by using flat washers (A), lock washers (B) and bolts (E), secure by turning with allen wrench (D) in a clockwise direction. (See Diagram 2)
4. Turn desk upright.

Assembly steps with extension blocks:

Diagram 3

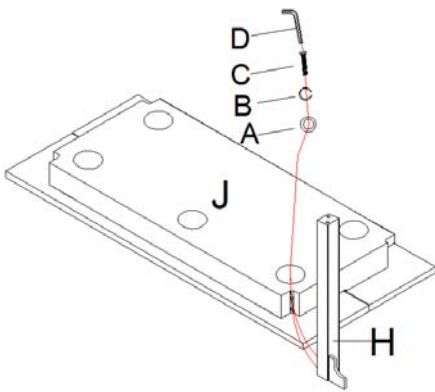
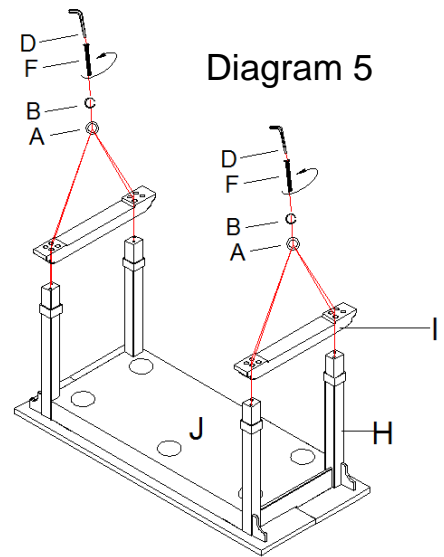
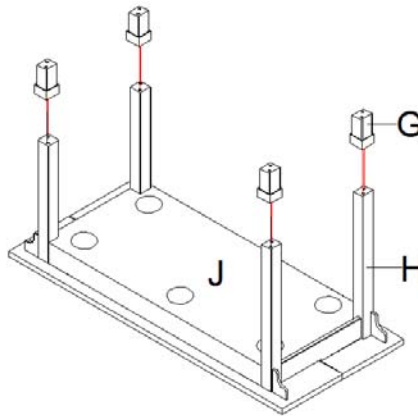


Diagram 4



1. Place desk top (J) upside down on a soft surface to prevent it from being scratched.
2. Follow numbers on legs and corner blocks. Attach leg posts (H) to desk top (J) by using flat washers (A), lock washers (B) and bolts (C), secure by turning with allen wrench (D) in a clockwise direction. (See Diagram 3)
3. Place extension blocks (G) onto leg posts (H). (See Diagram 4)
4. Place two bottom bases (I) onto extension blocks (G) and make sure pre-drilled holes are in alignment.
5. Then insert bolts (F), flat washers (A) and lock washers (B), tighten bolts by turning with allen wrench (D) securely. (See Diagram 5)
6. Turn desk upright.

Cleaning Instruction: Clean finished parts with a mild dishwashing liquid and water solution on a damp cloth. Polish the finish with soft cloth and an industry recognized furniture polish.