

HOOKER[®]

— FURNITURE —

ASSEMBLY INSTRUCTION

Item#: 5805-75160-89 Bar Cart

** Please make sure you have all parts indicated below prior to assembly.
This table is heavy and can best be assembled with the help of two persons.

Assembly Caster Instruction

NO.	HARDWARE LIST		Q'TY
A		Spanner	1

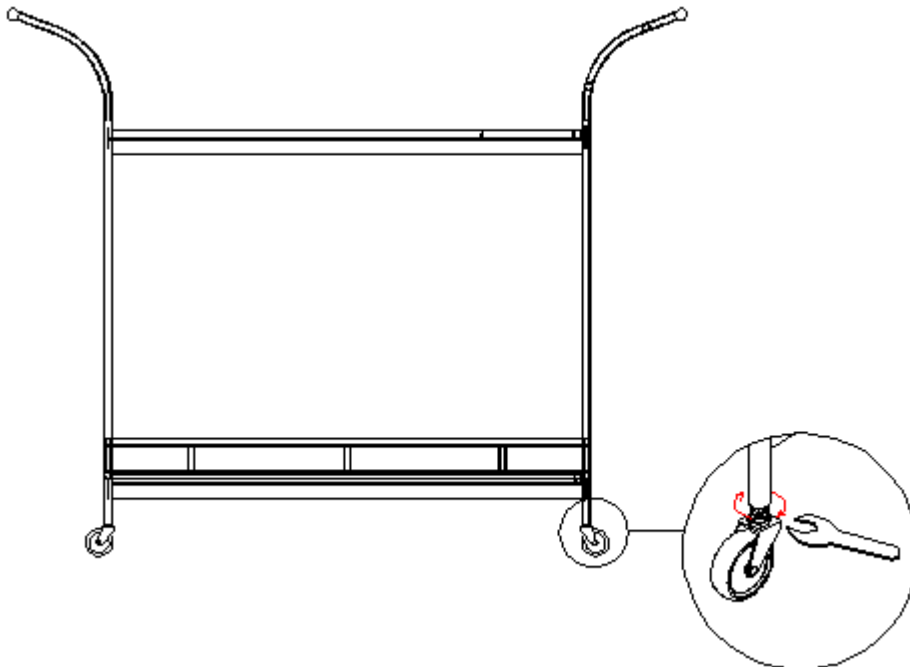


Diagram 1

1. If the caster damaged , you need to replace and assembly it ,please follow below instruction.
2. Put bar cart down on a soft surface to prevent it from being scratched .
3. Loose the caster with spanner in a counter-clockwise direction. Then replace the caster , screw the caster with spanner in opposite direction (See diagram 1).
4. Turn bar cart upright.

Cleaning Instruction: Clean finished parts with a damp cloth using a mild dishwashing liquid and water solution. Polish the finish with soft cloth and an industry recognized furniture polish.