

FRIGIDAIRE

FFTR2045VW
FFTR2045VB
FFTR2045VS
FFTR2045VD

Top Freezer Refrigerator

20.0 Cu. Ft. Top Freezer Refrigerator

Available Colors : White, Black, Stainless Steel, Black Stainless Steel

Version : 08/19



Product Specifications

Refrigerator

1-Gallon Door Bins	3 Full Width Clear
Adjustable Shelves	2 Glass
Crispers	2 Clear w/ Rollers
Humidity Controls	2
Lighting Design	LED
Meat/Deli Drawer	Full Width

Freezer

Adjustable Shelves	1 Glass
Defrost	Frost Free
Fixed Door Bins	2 Clear

Electrical Specifications

Amps @ 120 Volts	3.0A
Connected Load @ 120V	0.36kW
Min Circuit Required	15A

Dimensions: Exterior

Cabinet Depth	28-1/4"
Cabinet Depth (w/Handle)	32"
Depth	32"
Depth(w/ 90° Door Open)	58-5/8"
Height	65-7/8"
Height (Top of Door)	66-3/8"
Width	30"

Controls

Control Location	Knob/Slider
Control Type	Electro-Mechanical

Exterior

Door Swing	Reversible
Door and Handle Design	Integrated
Reversible Door	Yes

Certifications & Approvals

ENERGY STAR® Certified	No
UL Listed	Yes
ADA Compliant	Yes

Capacities

Freezer (Cu. Ft.)	5.4
Fresh Food Capacity (Cu Ft)	14.6

Ice Maker

Ice Maker	Optional IM117000
-----------	-------------------

General Specifications

Refrigerant (Frig)	R600a
--------------------	-------

Note: For planning purposes only. Always consult local and national electric, gas and plumbing codes. Refer to Product Installation Guide for detailed installation instructions on the web at frigidaire.com/frigidaire.ca. Specifications subject to change. Accessories information available on the web at frigidaire.com/frigidaire.ca

FFTR2045VW
 FFTR2045VB
 FFTR2045VS
 FFTR2045VD

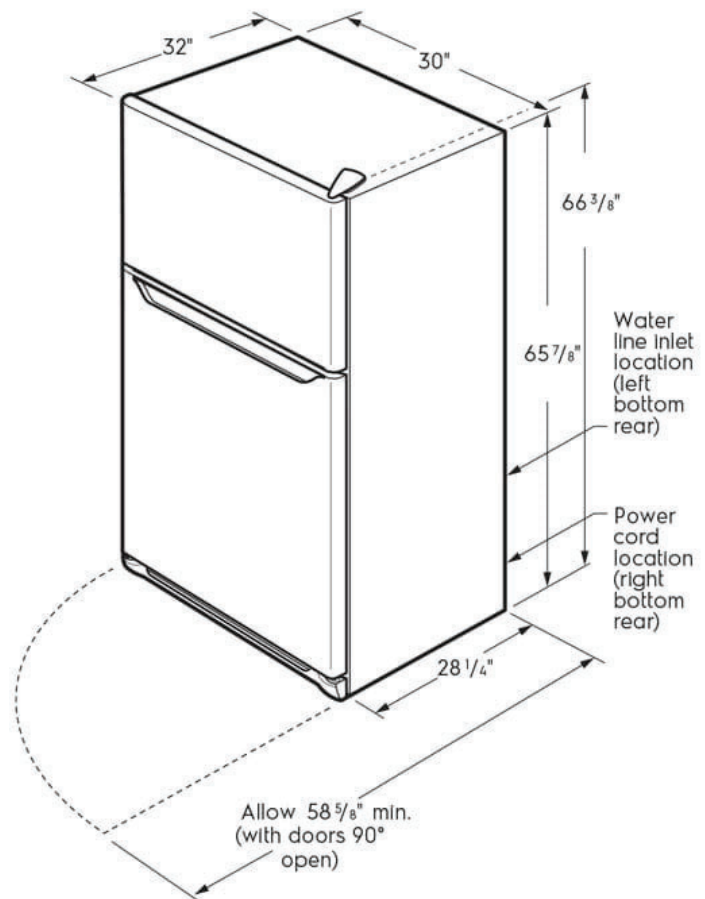
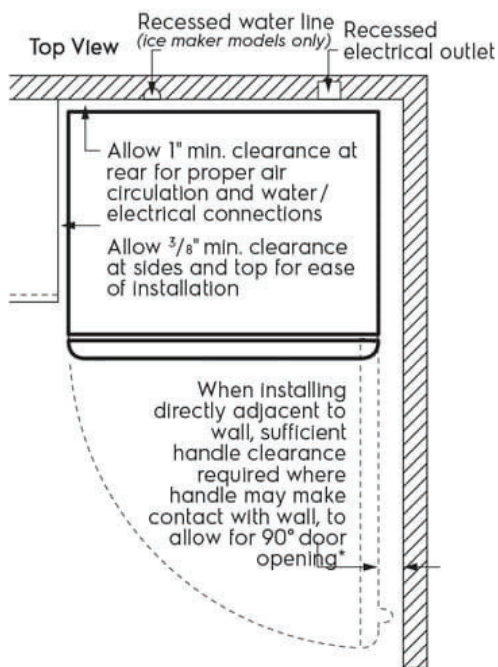
Top Freezer Refrigerator

20.0 Cu. Ft. Top Freezer Refrigerator

Available Colors : White, Black, Stainless Steel, Black Stainless Steel

Version : 08/19

Installation Drawing



* When installing refrigerator adjacent to wall, cabinet or other appliance that extends beyond front edge of unit, 20" minimum clearance recommended to allow for optimum 140° door swing, providing complete crisper access and removal. (Absolute 3" minimum clearance will ONLY allow for 90° door swing which will provide limited crisper access with restricted removal.)

Note: For planning purposes only. Always consult local and national electric, gas and plumbing codes. Refer to Product Installation Guide for detailed installation instructions on the web at frigidaire.com/frigidaire.ca. Specifications subject to change. Accessories information available on the web at frigidaire.com/frigidaire.ca