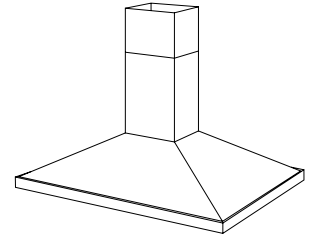


# IS42 SERIES RANGE HOODS



**Controls unobtrusively mounted out of sight; clean exterior surface accentuates the seamless look of this classic angular design.**

**FEATURES**

- Italian design
- Island ceiling mount
- Finishes: 304 Stainless Steel #4 Brushed, White, Black, Polished Brass, Brushed Copper
- Sizes: 70cm x 100cm (27-9/16" x 39-3/8"), 90cm x 130cm (35-7/16" x 51-3/16")
- Telescopic flue accommodates 8' to 9' ceilings
- 8" round duct connector/backdraft damper
- Halogen lighting (4 x 20 watt, Type MR16) provides bright cooktop illumination (bulb included)
- Slide controls: on-off, variable speed
- Quiet, variable-speed, dual centrifugal blowers with two high-efficiency motors produce 1000 CFM of exhaust
- Dishwasher-safe filter features a quick-release latch and decorative cover plate
- Heat Sentry™ - automatically turns blower to high speed when excess cooking heat is detected

**OPTIONS**

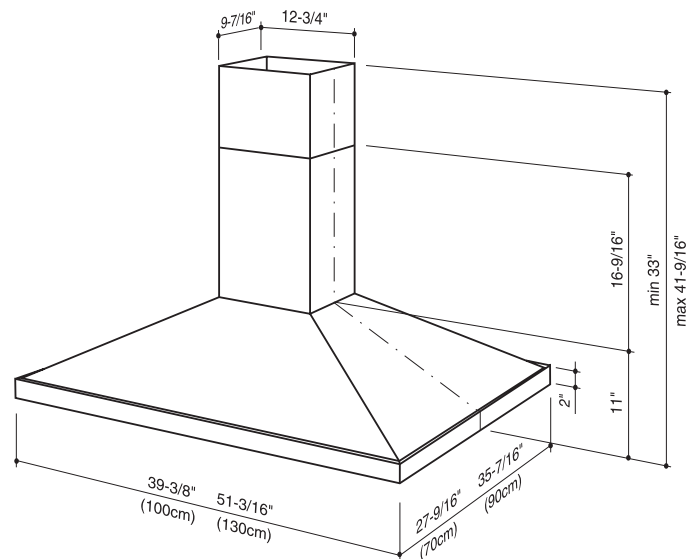
- Flue extension for 10' ceiling (Model FEXTIS42)
- Accent Trim (Model FTIS42: Stainless Steel, White, Black, Polished Brass)
- Replacement grease filters available
- Replacement bulb (Part No. SB02300668)
- Exterior blower version (IEX42) available, providing 600, 900, 1200, or 1500 CFM exhaust

**SPECIFICATIONS**

VOLTS	AMPS	CFM	SONES	DUCT
120	6.26	1000	11.5	8" round



BEST BY BROAN P.O. BOX 140 HARTFORD, WISCONSIN 53027



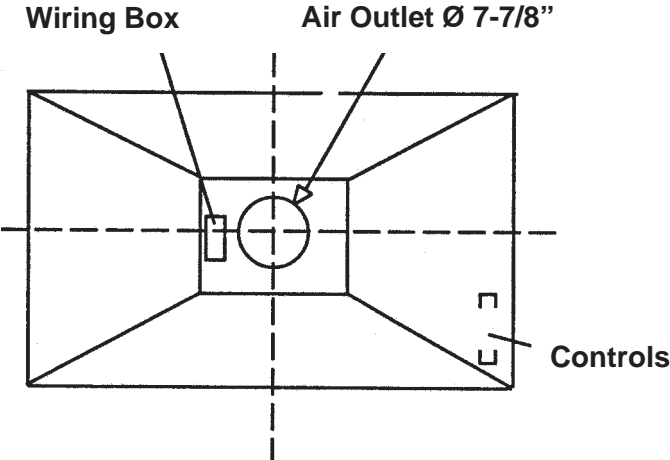
Mount range hood so bottom of hood is 24" minimum above cooking surface.



HVI-2100 CERTIFIED RATINGS comply with new testing technologies and procedures prescribed by the Home Ventilating Institute, for off-the-shelf products, as they are available to consumers. Product performance is rated at 0.1 in. static pressure, based on tests conducted in AMCA's state-of-the-art test laboratory. Sones are a measure of humanly-perceived loudness, based on laboratory measurements.

REFERENCE	QTY.	REMARKS	Project
			Location
			Architect
			Engineer
			Contractor
			Submitted by <span style="float: right;">Date</span>

# IS42 SERIES WIRING



# IS42 SERIES MOUNTING

