

BUILT-IN DISHWASHER **EDW5505EPS**



Built-In Dishwasher Specifications

- Product Weight – 82 Lbs.
- Connected Load – 120V AC, 15 Amps
- Single phase, 2-wire with separate equipment grounding conductor. 50 Hertz AC electrical supply only.
- Always consult local and/or national electric & plumbing codes.
- Water Pressure – The hot water line to dishwasher must provide water pressure between 15 and 120 pounds per square inch (psi).
- Make sure location has right drain, water and electrical outlets to make connections.
- Keep back free of drain, water & electrical supply.
- Electrical and water supplies should enter cabinet opening on floor, or through back or side walls.
- Connections preferably located toward left side of dishwasher. Do not cross drain, water or electrical lines in front of motor, blower or frame.
- Minimum 32" drain loop, 1/2" minimum. Floor drains require siphon break.
- When installing in corner, allow 2" clearance between opened door and wall, to allow door to open.
- When installing at end of cabinet line, sides must be fully enclosed.
- Do not install unit under a cooktop, damage may occur.
- Leveling legs supplied to adjust height.

Note: Refer to Product Installation Guide for detailed instructions on the web at www.electroluxusa.com.

UltraQuiet Plus™ Sound Insulation Package

The dishwasher is wrapped in dense insulation that envelopes the sides, top and toe kick, then enclosed in a steel shroud which reduces sound to a whisper.

Stainless Steel Interior and Exterior

Smooth exterior sheen gives your kitchen a modern, polished look and the interior will retain its original luster.

Fully Integrated Control Panel

Control panel is located at the top of the dishwasher door, so that the exterior remains uncluttered when the door is closed. Controls and digital display are intuitive and easy to operate.

Smart Soil Sensor™ and 100% Filtered Water

Smart Soil Sensor continuously monitors and purges food soils from wash water. In addition, the dishwasher's filtration system eliminates food particles from recirculation.

One-Touch Autowash Cycle

So simple that it may be the one button used by the whole family.

NSF® Certified Rinse Option

National Sanitization Foundation Certification assures that your dishware is sanitized by reducing bacteria by 99.999% when the sanitize option is selected.

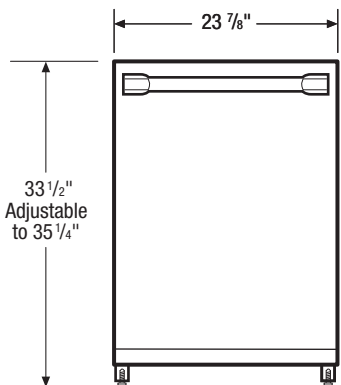
Spot-Free Dishwashing

To complete the Electrolux experience, Electrolux recommends filling the rinse aid reservoir with Jet-Dry®, the rinsing agent for sparkling and spot-free dishware.

ENERGY STAR®

ENERGY STAR labeling ensures a high level of energy efficiency, saving water and reducing utility costs while preventing pollution.

Jet-Dry is a registered trademark of Reckitt Benckiser Inc.



BUILT-IN DISHWASHER

Size	24"
------	-----

FEATURES

Stainless Steel Interior	Yes
Fully Integrated Control Panel	Yes
Easy-Clean Pushbuttons	12
LED Indicator Lights	Yes
Tall Tub Design	Yes
Smart Soil Sensor™	Yes
Removable Filter Trap	Yes
Stainless Steel Filter	Yes
Sound Insulation Package	UltraQuiet Plus™
Wash Levels	5
Direct Feed Wash System	Yes
Forced Air Condensate Dry System	Yes
Detergent Dispenser	Yes
Adjustable Rinse Aid Dispenser with Indicator	Yes

CYCLES

Rinse Only	Yes
Extra Rinse	Yes
Auto Wash	Yes
Heavy	Yes
Normal	Yes
Short/Light	Yes
China/Crystal	Yes

OPTIONS

Hi-Temp Wash	Yes
NSF® Certified Sanitize Rinse	Yes
Delay Start	2, 4, 6 Hours

RACK SYSTEM

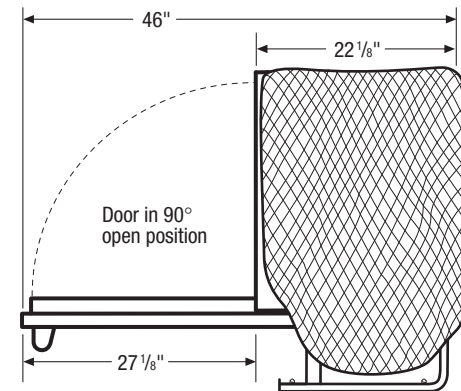
Rack Type	Nylon
Splittable Silverware Basket	Yes
Small Items Covers	3
Utensil Basket	Yes
Upper Rack	Premium
Adjustable	Yes
Cup Clips	4
Stemware Holder	4
Fold-Down Tines	2 Rows
Lower Rack	Premium
Adjustable Tines	4 Rows
High Side Shelf	Yes

SPECIFICATIONS

Cutout Dimensions –	
Height	34" min. 35" max.
Width	24"
Depth	24" min.
Leveling Legs	Yes
Water Usage – Normal Cycle	4.9 – 7.3 Gallons
Water Pressure	15 – 120 PSI
Dual Wattage Heating Element	Yes
Connected Load (kW Rating) – 120V	15 Amps
Electrical – Single phase, 2-wire with separate equipment grounding conductor. 50 Hertz AC electrical supply only.	UL Listed
Product Weight	82 Lbs.
Shipping Weight	88 Lbs.
UPC (0-12505-)	10896-9

*Separate 15-amp 3-wire grounded circuit required.

NOTE: Always consult local and/or national electric codes. Refer to Product Installation Guide for detailed installation instructions on the web at www.electroluxusa.com.



High standards of quality at Electrolux Home Products mean we are constantly working to improve our products. We reserve the right to change specifications or discontinue models without notice.



USA • 250 Bobby Jones Expressway • Augusta, GA 30907
1-877-4electrolux (1-877-435-3287) • www.electroluxusa.com

CANADA • 5855 Terry Fox Way • Mississauga, ON L5V 3E4
1-800-668-4606 • www.electroluxca.com