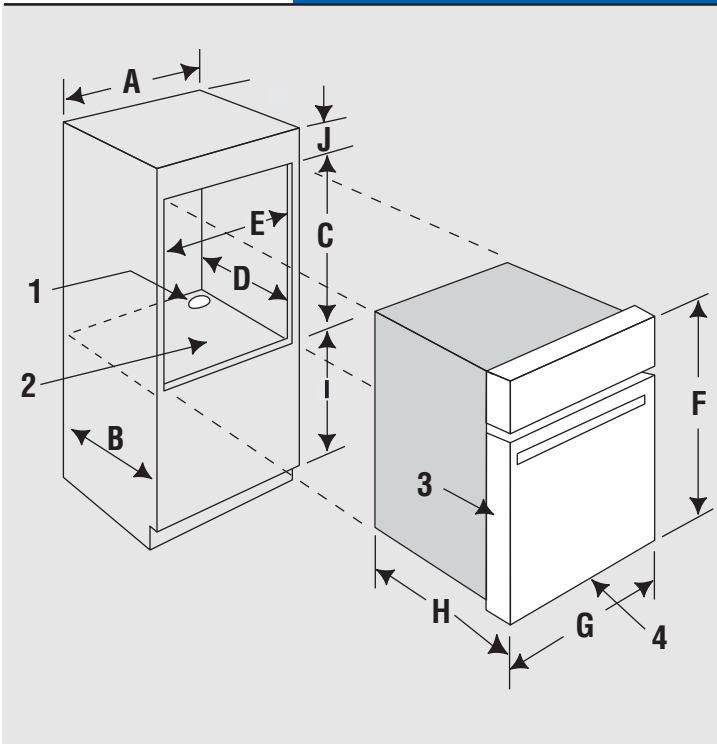


30"

SINGLE ELECTRIC WALL OVEN



MEW5530

MEW6530

Dimensions

■	Inches	Centimeters
A	30 minimum	76.2 minimum
B	24 minimum	61.0 minimum
C	27 7/16 ± 1/16	69.7 ± .2
D	23 1/2	59.7
E	28 3/16 ± 1/16	71.6 ± .2
F	27 3/4	70.5
G	29 3/4	75.6
H	24 7/16	62.1
I	4 to 33	10.2 to 83.8
J	1 minimum	2.54 minimum

Notes:

- 1 1/4" diameter conduit access hole.
- 5/8" plywood floor (must support 142 lbs.).
- Allow for 1/4" trim overlap on each side.
- Do not block air intake slots along bottom of oven.

Electrical Requirements: Provide for 120/240 or 120/208 VAC, 60 Hz -- See serial plate on front of unit for power requirements.

These appliances have been designed in accordance with the requirements of various safety agencies and comply with the maximum allowable wood cabinet temperatures of 194 degrees F. If these appliances are installed with cabinets that have a lower working temperature than 194 degrees F, discoloration, delamination or melting may occur.

Important: Because of continuing product improvements, Maytag reserves the right to change specifications without notice. Dimensional specifications are provided for planning purposes only. For complete details see installation instructions that accompany each product before selecting cabinetry, making cutouts or beginning installation.