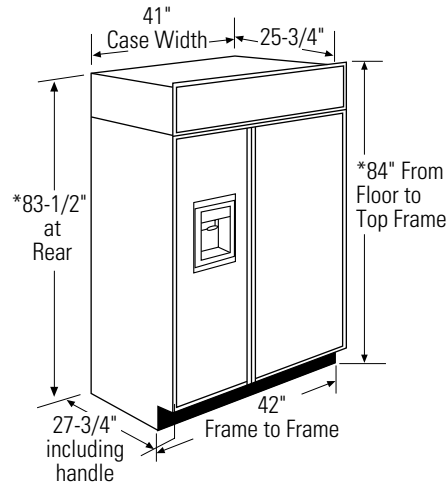
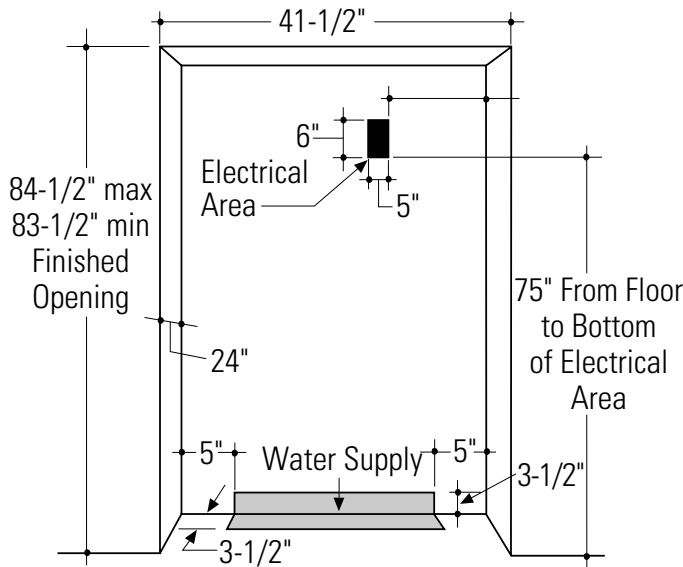




Monogram®

# ZISW/B420DR – GE Monogram 42" Built-In Side-by-Side Refrigerator with Dispenser and Water Filter

## The Installation Space



\* Shipping height. The refrigerator can be adjusted to fit into a cutout that is 83-1/2" min. to 84-1/2" max. height. Note that the top case trim at the front is 1/2" higher and will overlap upper cabinetry or soffit. Use leveling legs and wheels for a maximum 1" height adjustment.

Space is the first consideration when planning the installation.

### The cutout depth must be 24"

The refrigerator will project forward, slightly beyond adjacent cabinetry, depending on your installation.

### The cutout depth beneath a soffit

When installed beneath a soffit, the soffit cannot exceed the 24" installation depth shown. The top case trim overlaps the bottom of the soffit.

### Electrical

A 115V, 60Hz., 15 or 20 amp power supply is required. An individual properly grounded branch circuit or circuit breaker is recommended. Install a properly grounded 3-prong electrical receptacle recessed into the back wall. Electrical must be located on rear wall as shown.

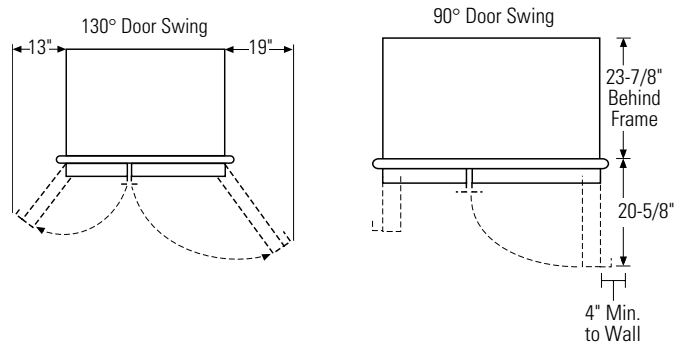
**Note:** GFI (ground fault interrupter) is not recommended.

### Water Line

All models are equipped with an automatic icemaker. The water line can enter the opening through the floor or back wall. Route 1/4" O.D. copper tubing or GE QuickConnect kit between the cold water line and the water connection location. The copper tubing should be long enough to extend to the front of the refrigerator. The installation of an easily accessible shut-off valve in the water line is required.

## Door Swing Clearances

The installation must allow for clearances to adjacent walls or cabinets. These refrigerators are equipped with a 2-position door stop. The factory-set 130° door swing can be adjusted to 90° if clearance to adjacent cabinets or walls is restricted.



Allow minimum clearances for freezer door and fresh food door for a full 130° door swing and to allow for pan removal.

- 4" minimum clearance is required when door swing is adjusted to 90°. If the 90° door stop position is used, pan access is maintained, but pan removal is restricted.
- See door swing illustrations to determine interaction with adjacent cabinets or countertops.

**Installation Information:** Before installing, consult installation instructions packed with product, or online at [Monogram.com](http://Monogram.com), for current dimensional data.

Specification Created 1/04

110171



As an ENERGY STAR® partner, GE has determined that this product meets the ENERGY STAR guidelines for energy efficiency.

For answers to your Monogram®, GE Profile™ or GE® appliance questions, visit our website at [GEAppliances.com](http://GEAppliances.com) or call GE Answer Center® service, 800.626.2000.



**Monogram®**

## ZISW/B420DR – GE Monogram 42" Built-In Side-by-Side Refrigerator with Dispenser and Water Filter

### Customization Basics: Framed or Overlay Panels, Custom Handles and Accessory Kits

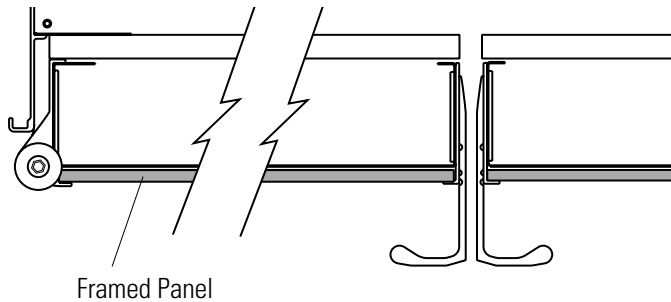
#### Trimmed Refrigerators

**ZIS420NRSS, ZISW420DRSS, ZISB420DRSS**

Trimmed refrigerators are designed to be customized with decorative panels. Field-installed custom door and grille panels are required.

#### Framed Panels

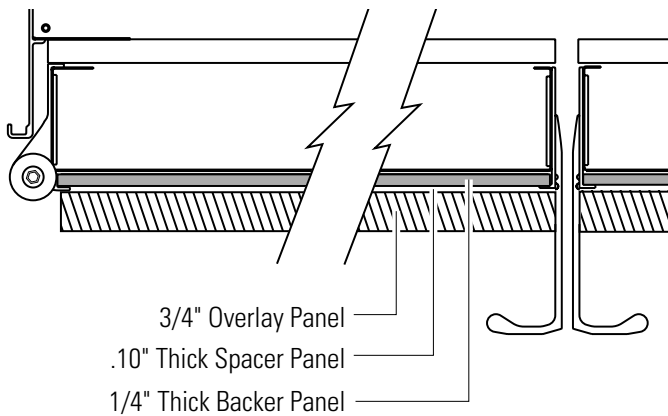
You may install 1/4"-thick custom panels from your cabinet manufacturer. The decorative panels slide into the factory-installed trim. Or, order black, white and stainless steel accessory panels from your Monogram dealer.



Standard supplied handles shown in 1/4" panel position.

#### Overlay Panels

You may also choose to install custom overlay panels from your cabinet manufacturer. This design provides a seamless appearance which integrates smoothly with surrounding cabinetry.



Standard supplied handles shown in 3/4" overlay panel position.

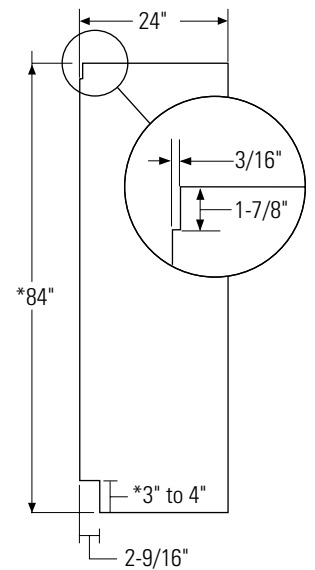
#### Door Handles

The supplied handles can be adjusted to accommodate both framed or overlay panels. Custom handles of your choice, supplied by your cabinet maker, can also be installed. If desired, you may order ZKHSS2 Monogram stainless steel tubular handle kit for overlay panels.

#### Side Panels

Side panels must be used whenever the sides of the refrigerator will be exposed. The 1/4" side panels will slip into the side case trim. Secure the panels to the refrigerator with stick-on hook and loop fastener strips. Order the side panels from the cabinet manufacturer.

- Cut a notch in the top front corner as shown to allow clearance for corner keys in the front side trim.



\*Depending on installation height.

#### Optional Accessory Kit

ZKHSS2: Tubular Stainless Steel handles designed to fit 3/4" overlay panels.

#### Accessory Panels

White or black acrylic and stainless steel accessory panels are available from your Monogram supplier. Panels are cut to size and ready to install. These panel kits must be ordered separately.

Models	White Acrylic	Black Acrylic	Stainless Steel
ZISW420D	ZPW420D		ZPS420D
ZISB420D		ZPB420D	ZPS420D
ZIS420N	ZPW420N	ZPB420N	ZPS420N



Listed by Underwriters Laboratories



As an ENERGY STAR® partner, GE has determined that this product meets the ENERGY STAR guidelines for energy efficiency.

For answers to your Monogram®, GE Profile™ or GE® appliance questions, visit our website at [GEAppliances.com](http://GEAppliances.com) or call GE Answer Center® service, 800.626.2000.

Specification Created 1/04

110171



**Monogram®**

## ZISW/B420DR – GE Monogram 42" Built-In Side-by-Side Refrigerator with Dispenser and Water Filter

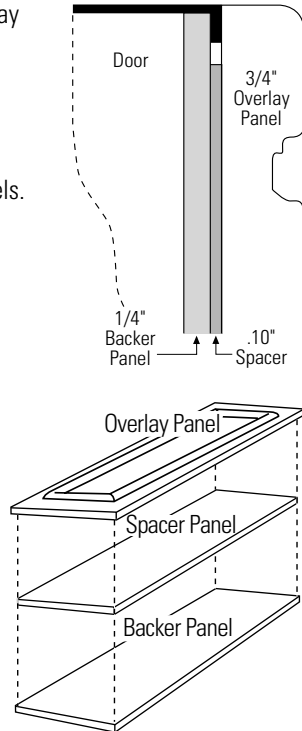
### 3/4" Overlay Panel Dimensions

For a more custom appearance, overlay panels may be installed on trimmed models. The overlay panel must be secured to a 1/4"-thick backer panel which slides into the trim. A spacer panel 0.10" thick must be placed between the overlay and backer panels.

$$.250" + .10" + .750" = 1.100" \text{ Total Panel Thickness}$$

Center each panel over the other. Assemble the panels with glue and screws. Screws must be countersunk into the backer panel.

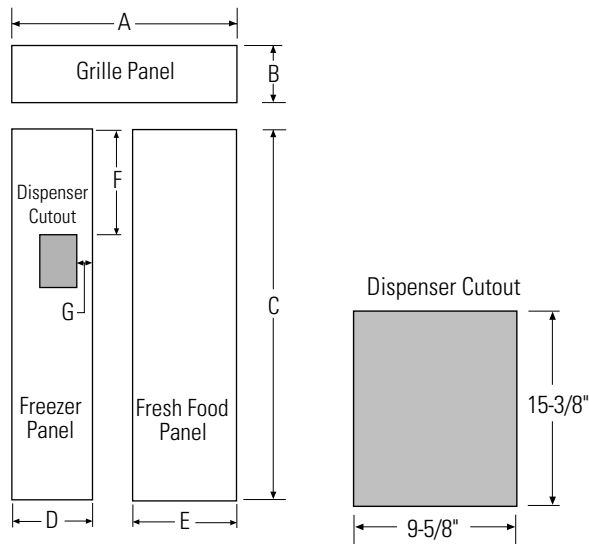
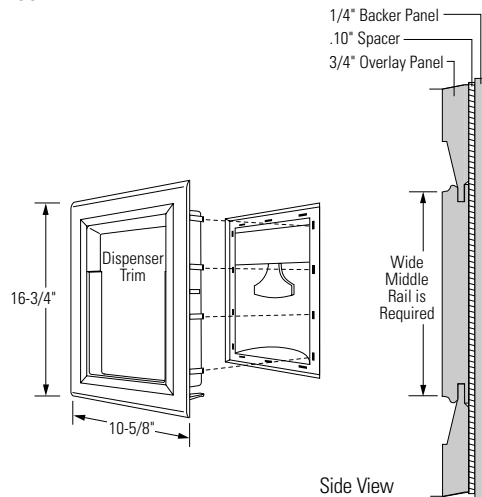
**NOTE:** Left-to-right offset is not always equal to top-to-bottom offset.



### Raised Overlay Panel Design On Dispenser Models

When a raised panel design is to be used, a custom wide middle rail is required to accept the dispenser trim.

- The middle rail must be wide enough to allow for the dispenser trim to overlap the opening.
- The middle rail must be 1.100" total thickness to accept the dispenser trim.



\*Cut the dispenser opening after the backer, spacer and overlay panels have been assembled.

**Important Note:** Maximum total panel weight:

- Fresh food door panel – 75 lbs.
- Freezer door panel – 53 lbs.
- Grille panel – 18 lbs.

**Specification Created 1/04**

110171

### 42" Side-by-Side (in inches)

	A	B	C	D	E
1/4" Backer Panel	39-7/8	9-1/2	68-3/8	14-9/16	24-9/16
.10" Spacer Panel	39	8-5/8	67	13-1/4	23-1/4
3/4" Spacer Panel	40-1/8	9-3/4	68-5/8	14-13/16	24-13/16

### \*Dispenser Cutout Position (in inches)

	F	G
42" Models	17-15/16	3-1/4



Listed by  
Underwriters  
Laboratories



As an ENERGY STAR® partner, GE has determined that this product meets the ENERGY STAR guidelines for energy efficiency.

For answers to your Monogram®, GE Profile™ or GE® appliance questions, visit our website at [GEAppliances.com](http://GEAppliances.com) or call GE Answer Center® service, 800.626.2000.



Monogram®

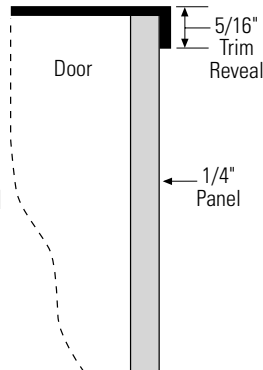
## ZISW/B420DR – GE Monogram 42" Built-In Side-by-Side Refrigerator with Dispenser and Water Filter

### 1/4" Framed Panel Dimensions

If you choose to install framed panels, they must be cut to the dimensions shown. The panels will slide into the frame on the door and grille.

If the custom panel is less than 1/4" thick, and it fits loosely in the door frame, it can be backed up with a piece of filler material or foam tape to improve the fit.

**Important Note:** Maximum weight for fresh food panel is 50 pounds and 30 pounds for freezer panel.



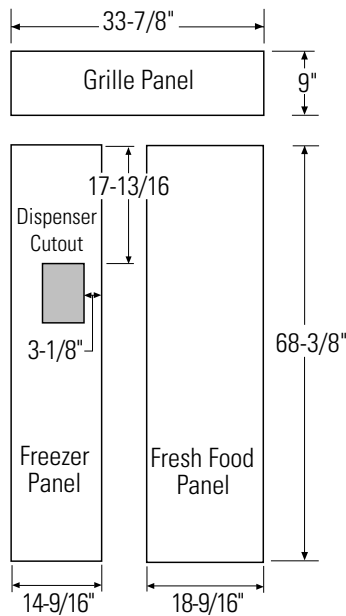
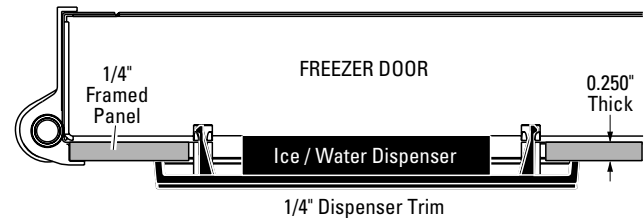
### Dispenser Models

These refrigerators are supplied with two dispenser trims, one for framed panels and one for overlay panels.

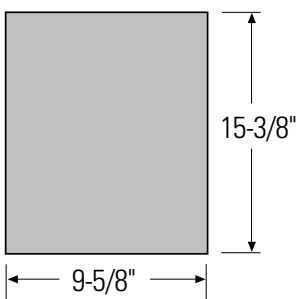
### 1/4" Framed Panel

The framed panel must be 1/4" nominal thickness to fit the dispenser trim.

- The dispenser trim fits over the custom panel and snaps into the freezer door.
- If the panel is less than 0.250" thick, a noticeable gap may be created around the dispenser trim. Foam tape may be applied on the door to improve the fit.
- If the panel is more than 0.250" thick, the dispenser trim cannot be secured to the door.



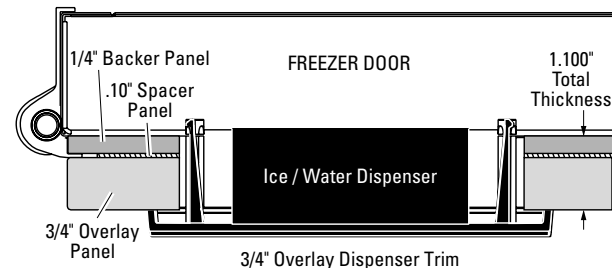
### Dispenser Cutout



### 3/4" Overlay Panels

The overlay dispenser trim is designed to fit a total panel thickness of 1.100".

- If the panel is less than 1.100" thick, a noticeable gap may be created around the dispenser trim.
- If the panel is more than 1.100" thick, the dispenser trim cannot be secured to the door.
- The overlay panel must be constructed according to the specifications shown to achieve the correct total thickness.
- Alternative panel construction methods such as securing a 3/4" panel to a 1/4" backer panel cannot be used. Another method, routing a 3/4"-thick panel on all sides, cannot be used. These methods will not result in the required 1.100" panel thickness.
- When a raised panel design is to be used, a custom middle rail is required.



Specification Created 1/04

110171



Listed by Underwriters Laboratories



As an ENERGY STAR® partner, GE has determined that this product meets the ENERGY STAR guidelines for energy efficiency.

For answers to your Monogram®, GE Profile™ or GE® appliance questions, visit our website at [GEAppliances.com](http://GEAppliances.com) or call GE Answer Center® service, 800.626.2000.



Monogram®

# ZISW/B420DR – GE Monogram 42" Built-In Side-by-Side Refrigerator with Dispenser and Water Filter

## Advance Planning for Built-In Custom Side-by-Side Refrigerators

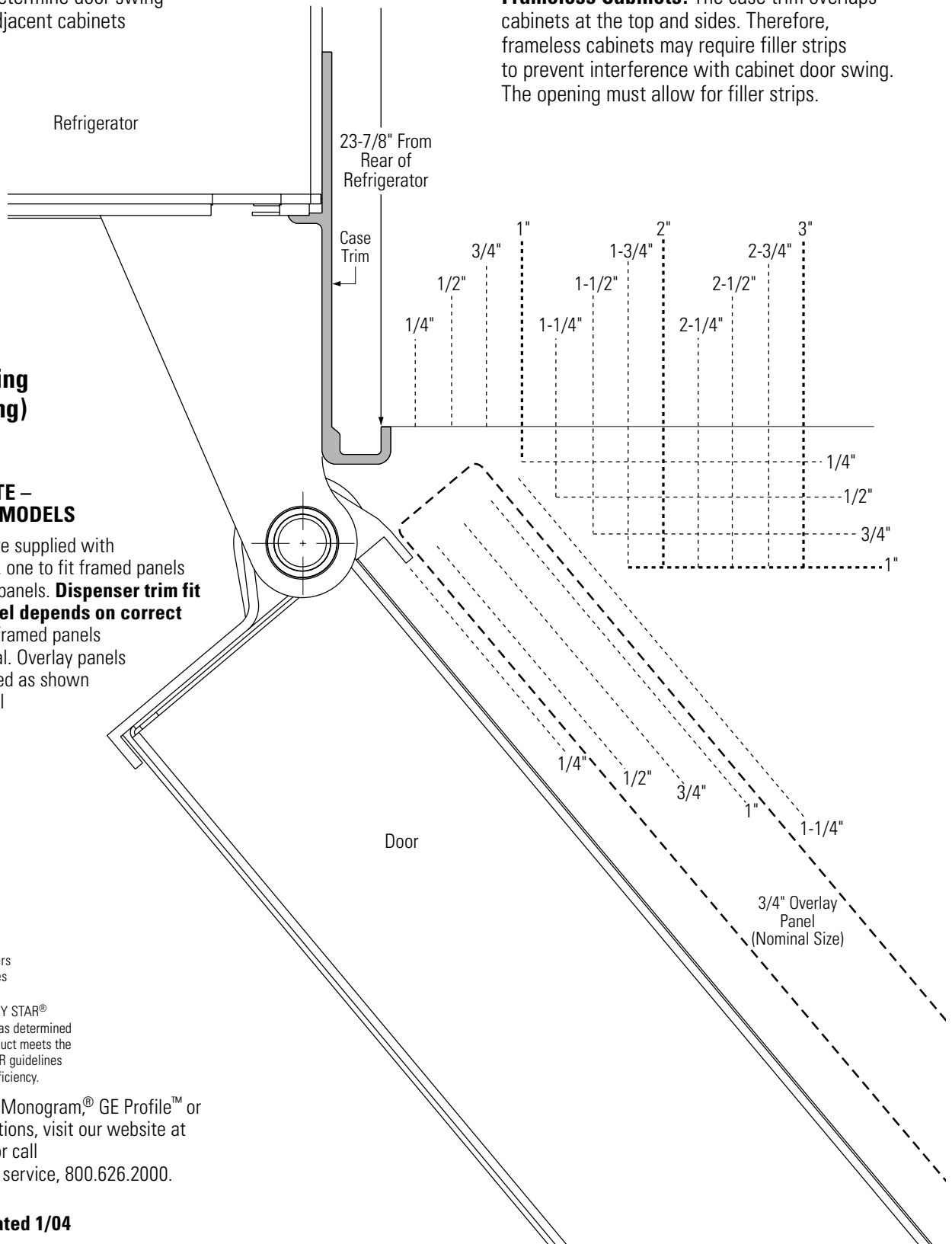
Use this page to determine door swing interaction with adjacent cabinets or countertops.

**Frameless Cabinets:** The case trim overlaps cabinets at the top and sides. Therefore, frameless cabinets may require filler strips to prevent interference with cabinet door swing. The opening must allow for filler strips.

**Top View  
130° Door Swing  
(Factory setting)  
Scale 1:1**

### IMPORTANT NOTE – FOR DISPENSER MODELS

Dispenser models are supplied with two dispenser trims, one to fit framed panels and one for overlay panels. **Dispenser trim fit to the custom panel depends on correct panel thickness.** Framed panels must be 1/4" nominal. Overlay panels should be constructed as shown to accomplish a total 1.100" thickness.



Listed by Underwriters Laboratories



As an ENERGY STAR® partner, GE has determined that this product meets the ENERGY STAR guidelines for energy efficiency.

For answers to your Monogram®, GE Profile™ or GE® appliance questions, visit our website at [GEAppliances.com](http://GEAppliances.com) or call GE Answer Center® service, 800.626.2000.

Specification Created 1/04

110171



Monogram®

# ZISW/B420DR – GE Monogram 42" Built-In Side-by-Side Refrigerator with Dispenser and Water Filter

## Advance Planning for Built-In Custom Side-by-Side Refrigerators

Use this page to determine door swing interaction with adjacent cabinets or countertops.

Refrigerator

Case Trim

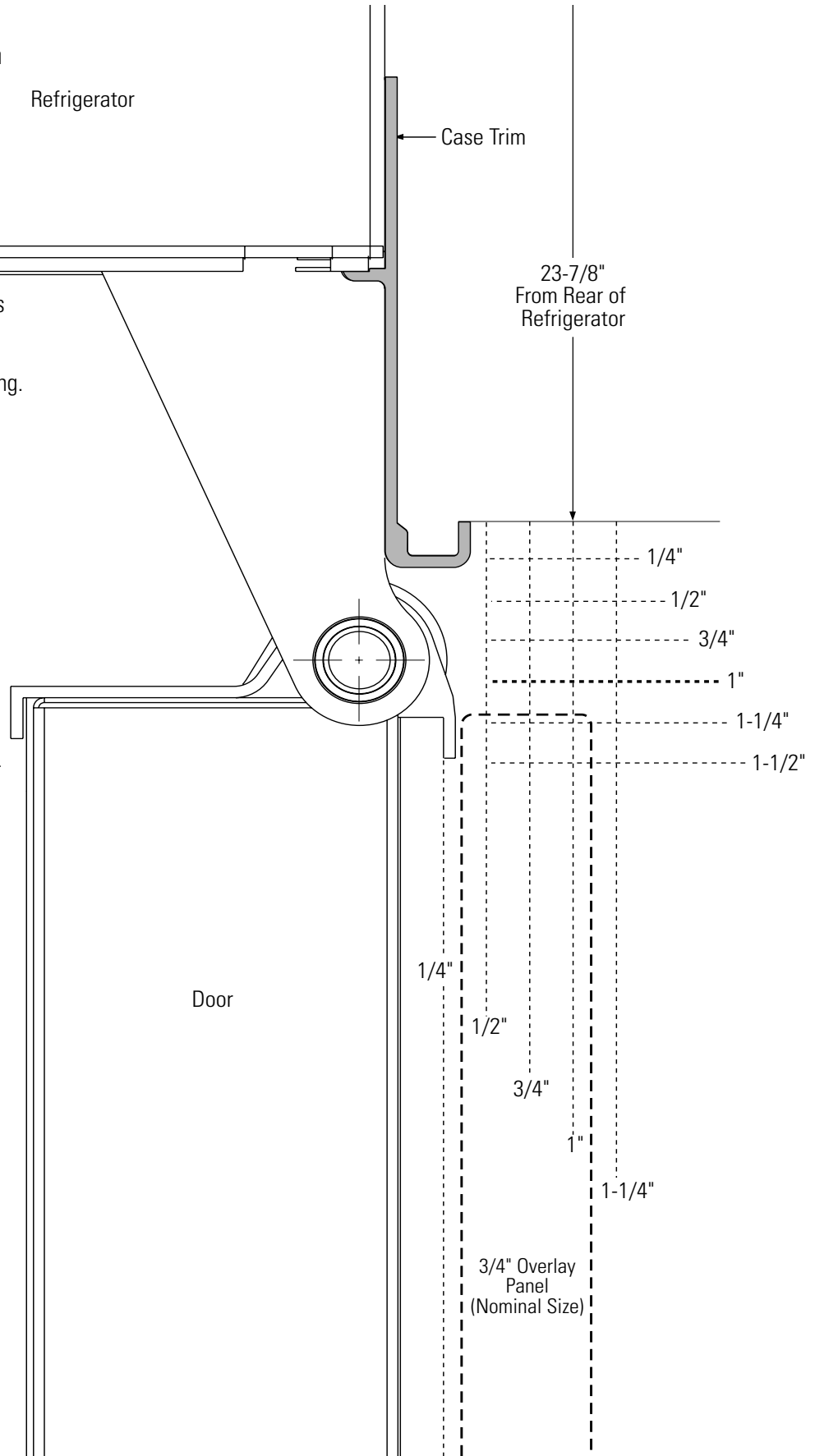
23-7/8"  
From Rear of  
Refrigerator

**Frameless Cabinets:** The case trim overlaps cabinets at the top and sides. Therefore, frameless cabinets may require filler strips to prevent interference with cabinet door swing. The opening must allow for filler strips.

## Top View 90° Door Swing (Optional setting) Scale 1:1

### IMPORTANT NOTE – FOR DISPENSER MODELS

Dispenser models are supplied with two dispenser trims, one to fit framed panels and one for overlay panels. **Dispenser trim fit to the custom panel depends on correct panel thickness.** Framed panels must be 1/4" nominal. Overlay panels should be constructed as shown to accomplish a total 1.100" thickness.



Listed by  
Underwriters  
Laboratories



As an ENERGY STAR® partner, GE has determined that this product meets the ENERGY STAR guidelines for energy efficiency.

For answers to your Monogram®, GE Profile™ or GE® appliance questions, visit our website at [GEAppliances.com](http://GEAppliances.com) or call GE Answer Center® service, 800.626.2000.

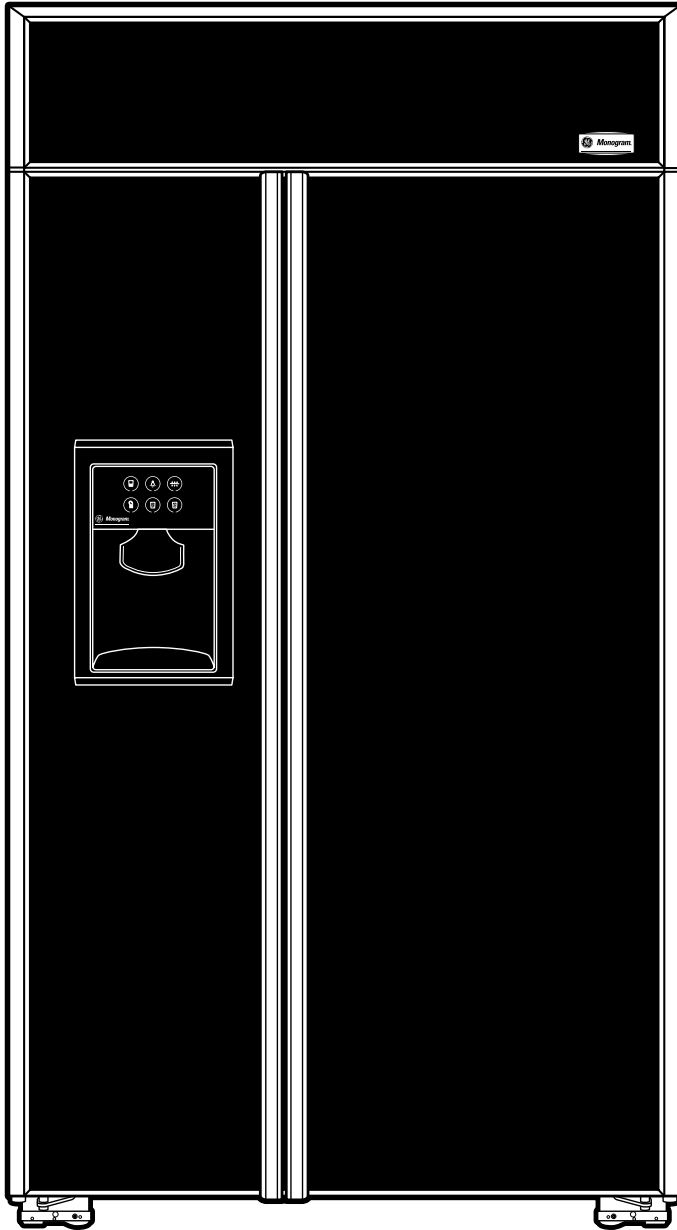
Specification Created 1/04

110171



**Monogram.**

## **ZISW/B420DR – GE Monogram 42" Built-In Side-by-Side Refrigerator with Dispenser and Water Filter**



### **Features and Benefits**

- 26.1 cu. ft. total capacity
- Overhead evaporator
- Integrated Ice™ System – The ice bucket is integrated into the icemaker, not the freezer door, freeing up valuable storage space
- Upfront electronic controls with digital readout
- Multi-shelf halogen light tower (Both fresh food and freezer section)
- Multi-shelf air management tower
- Climate control drawer with Express Chill, Express Thaw and Select Temp
- Sealed adjustable humidity produce pan with easy access lid and full extension slides
- Disappearing electronic glass touch dispenser controls with proximity sensor
- Model ZISW420DR – White dispenser
- Model ZISB420DR – Black dispenser (shown)