

500 Series
30" Double Wall Oven
HBL5650UC - Stainless Steel



Features and Benefits

Appearance

- Contemporary Stainless Steel Design
- ClearTouch® Glass Control
- Retractable Controls for Sleek and Easy to Clean Design
- Flush-to-Cabinet Design

Capacity

- #1 in Capacity at 4.7 Cu.Ft.
- Double Oven for More Capacity and Cooking Flexibility
- Recessed Broil Element for Increased Capacity and Safety
- Hidden Bake Element for Increased Capacity

Convenience

- Amber Colored Full Text Display
- Timer with Cook Time and Delay Start Function
- Extra Large Door Window for Easy Monitoring of Cooking
- High Quality Self-cleaning Rack Supports
- Two Oven Lights to Better Monitor Cooking Progress
- Sabbath Mode

Performance

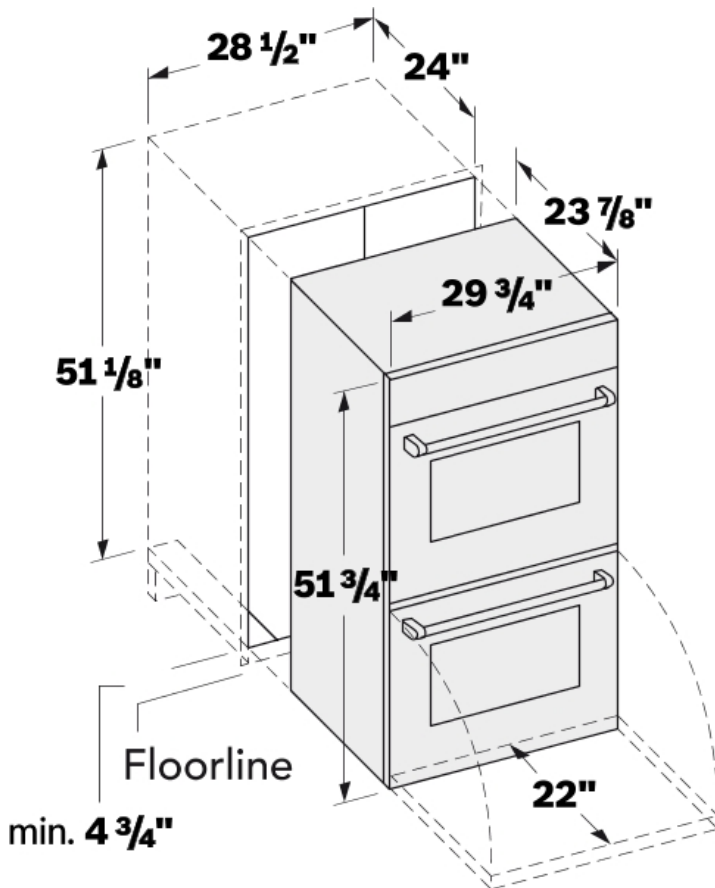
- Genuine European Convection With ACS
- Speed Convection Saves up to 30% Time
- Fast Preheat Reduces Preheat Time to around 7 Minutes
- 14 Specialized Cooking Modes - Gourmet Cooking Made Easy
- Thermal Cooking with Bake, Broil and Roast in Lower Oven
- Custom Cooking Modes: Pizza, Pie, Warm and Proof

Notes: All height, width and depth dimensions are shown in inches. *Please refer to installation instructions prior to making cutout. BSH reserves the absolute and unrestricted right to change product materials and specifications, at any time, without notice. Consult the product's installation instructions for final dimensional data and other details. Applicable product warranty can be found in a accompanying product literature or you may contact your account manager for further details.

For more information on our entire line of products, go to boschappliances.com or call 1-800-944-2904.
Copyright ©2009 BSH Home Appliances Corporation. All rights reserved. Bosch is a registered trademark of Robert Bosch GmbH.

Litho Date: 10/2009

500 Series
30" Double Wall Oven
HBL5650UC - Stainless Steel



Features

Cooking method first cavity	, Bake, Broil, Convection Bake, Convection Broil, Convection Roast, Dehydrate, Pizza, Proof, Speed Convection, Top heating, 1/3 bottom heat., True Convection, Warm
Cooking method second cavity	Bake, Broil, Top heating, 1/3 bottom heat., Warm
Cleaning system - cavity 1	enamel, Self Clean
Number of interior lights	2
Electronic timer	
Included accessories	3 x Oven racks /upper, 2 x Oven racks /lower, 1 x Broiler pan /upper, 1 x Temperature probe /upper
Bake Element Wattages cavity 1 (W)	2000
Broil Element Wattages cavity 1 (W)	3600
Convection Element Wattages cavity 1 (W)	2000
Microwave Wattages (W)	

Technical Specification

UPC code	825225840107
Product color	Stainless steel
Alternative colors available	HBL5620UC, HBL5660UC
Energy source	Electric
Watts (W)	7600
Current (A)	
Volts (V)	240/208
Frequency (Hz)	60
Approval certificates	CSA
Power cord length (in)	50
Plug type	Fixed connection, No plug
Required cutout size (HxWxD) (in)	51 1/8" x 28 1/2" x 24"
Overall appliance dimensions (HxWxD) (in)	51 3/4" x 29 3/4" x 23 7/8"
Product packaging dimensions (HxWxD) (in)	56 1/4" x 33 1/2" x 31 1/2"
Net weight (lbs)	294
Gross weight (lbs)	328

Notes: All height, width and depth dimensions are shown in inches. *Please refer to installation instructions prior to making cutout. BSH reserves the absolute and unrestricted right to change product materials and specifications, at any time, without notice. Consult the product's installation instructions for final dimensional data and other details. Applicable product warranty can be found in a accompanying product literature or you may contact your account manager for further details.

For more information on our entire line of products, go to boschappliances.com or call 1-800-944-2904.
Copyright ©2009 BSH Home Appliances Corporation. All rights reserved. Bosch is a registered trademark of Robert Bosch GmbH.

Litho Date: 10/2009