



KDL-40V2500
KDL-46V2500

Quick Setup Guide

For further information, see the Operating Instruction supplied with the TV. Please retain this guide for your future reference.

You MUST get HD programming to see an HD picture!

Upgrade your signal to high-definition programming to view the same picture quality at home as you have seen in the store for stunning details and richer sounds. Contact your local cable or satellite provider for details on how to upgrade to your High-Definition (HD) programming. Additional equipment and subscription fees may apply. For information on availability of HD programming using an antenna, visit www.antennaweb.org (US only).

For Your Convenience

Please contact Sony directly if you have questions on the use of your television after reading your Quick Setup Guide and manual.

Contact Sony Customer Support at:

<http://www.sony.com/tvsupport>

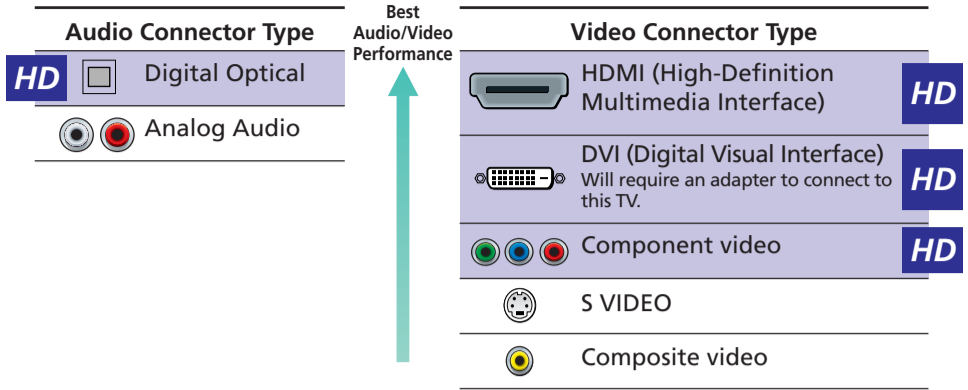
Or to speak with a support representative:

United States	Canada
1-800-222-SONY (7669)	1-877-899-SONY (7669)
8:00 AM – 10:00 PM (EST) Mon–Fri	8:00 AM – 6:00 PM (Eastern)
10:30 AM – 7:15 PM (EST) Sat–Sun	8:00 AM – 5:00 PM (Western)

Please Do Not Return the Product to the Store

Making Audio/Video Connections

Your new TV includes various types of video inputs and audio jacks. Use the outputs/inputs that are available on your components that provide the best audio/video performances:



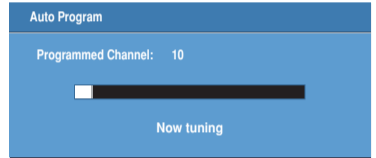
- The connection diagrams shown in this Quick Setup Guide are recommendations only; other possible solutions may exist.
- For an interactive guide on cable requirements and how to connect audio and video components, visit: www.ceaconnectionsguide.com Also visit Sony's web site www.sony.com/tvsupport for a connection tutorial.

Running Initial Setup

- Press **POWER** to turn on the TV. The Initial Setup screen appears.
- Press **▲/▼** to highlight the on-screen display language. Then press **⊕**. The message "First please connect cable/antenna. Do you want to start Auto Program?" appears.
- Press **◀/▶** to highlight "OK" then press **⊕**. The message "Auto Program" appears. Then the message "Continue programming digital channels?" appears. This may require 50+ minutes for completion.
- Press **◀/▶** to highlight "OK" then press **⊕**.



If your TV is receiving signals via Cable Box/SAT Receiver, press "Cancel" and skip the following steps. See Cable System and/or VHF/UHF Antenna System section of the instruction manual for details.



When Initial Setup is complete, the TV will display the total number of digital channels found.

To run Auto Program again at a later time

Refer to the manual on "Initial Setup" and "Auto Program" sections.

Common Questions to Understanding Your Widescreen LCD Digital Television

What is the difference between a digital TV broadcast and an analog TV broadcast?

Digital TV broadcast is different from a traditional Analog TV broadcast in that a digital signal has the potential to be significantly cleaner and can be transmitted in resolutions that are much higher. A Digital program can be broadcast in Standard Definition formats of 480 lines interlace (similar to Analog TV) or 480 lines progressive. High Definition, which has improved resolution, can be broadcast in formats of 720 lines progressive (720p) or 1080 lines interlace (1080i).

How do I get Digital TV Service?

Your digital television is capable of receiving digital channels directly from an over-the-air antenna or from cable. Your television is also capable of displaying digital programming from a digital cable box or a digital satellite receiver (refer to the connections provided in this Quick Setup Guide).

How can I select channels?

If your TV is connected directly to an antenna or cable you can use your TV's remote control to change channels. To switch between available analog and digital channels, press the DIGITAL/ANALOG button on the remote control before making your channel selection. If your TV is receiving channels via a cable box or satellite receiver, you must first select the proper Video Input from your remote control or the TV Menu. You can use the remote control provided with the cable box or satellite receiver to select channels.

Why do I see black bars on my screen?

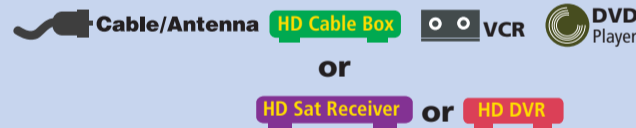
Often HD programming is created with a 16:9 aspect ratio or wider, which is wider than the typical standard definition programming (4:3). Some digital programming is broadcast in 4:3 format. As a result you may see large black bars on the sides or even the top and bottom of your TV screen. Your TV is capable of expanding the programming to fill the screen. Press the "Wide" Mode button on your remote control or select the wide screen setting from the TV setting to choose your preferred aspect ratio. In some cases 16:9 broadcasts may still show small black bars on the edges of the screen. In this case you can use the "Display Area" function from your TV settings.

How do I mount my TV on the wall?

Mounting the TV on a wall requires that the base stand be removed and that the TV be attached to the wall with a Sony recommended wall mount bracket. For product protection and safety reasons, Sony strongly recommends that wall-mounting of your TV be performed by Sony dealers or licensed contractors only. Do not attempt to install it yourself. See the operating instructions for details.

A HD connection

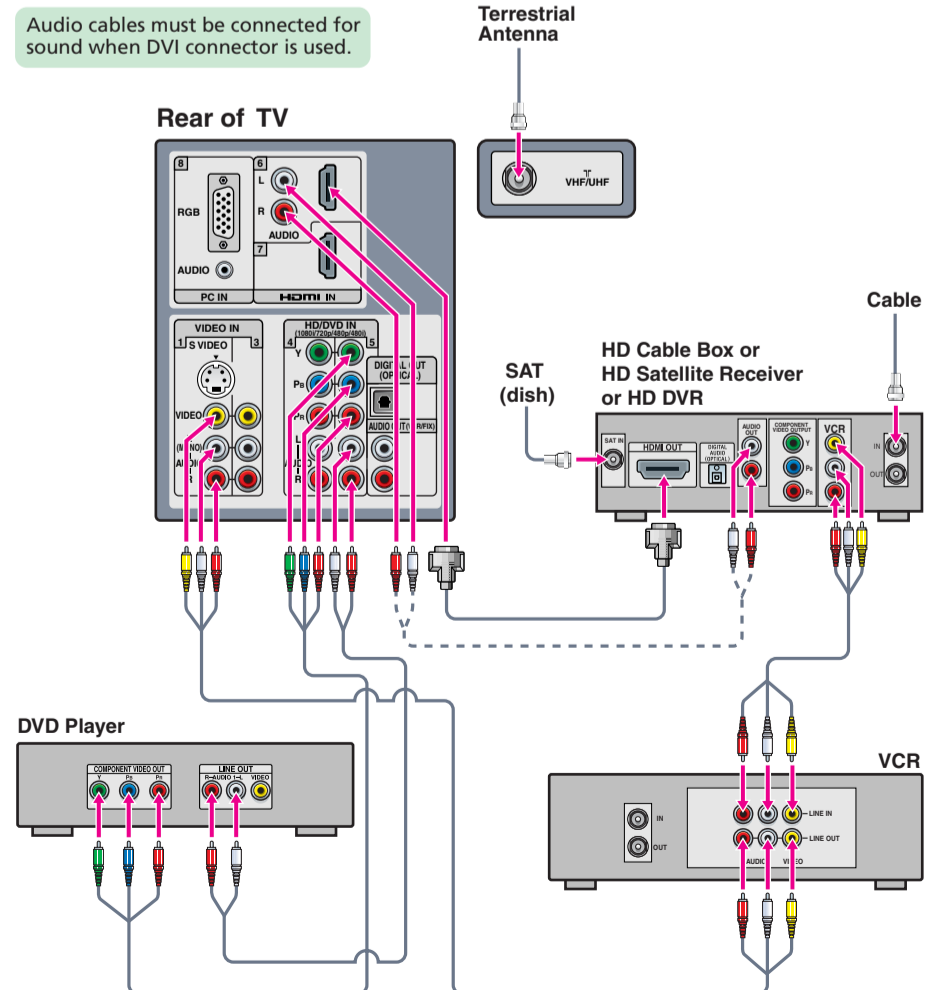
Use this diagram if you have;



Cables Required	
Coaxial	3
Composite	2
Component	1
Audio	2
HDMI	1

If your HD Cable Box and DVD player have HDMI jacks, use HDMI with the HD Cable Box and component video with the DVD Player (as shown). This will give you the best possible picture quality.

For best results, check the cable box's manual for proper setup of the HD output.



B

HD connection

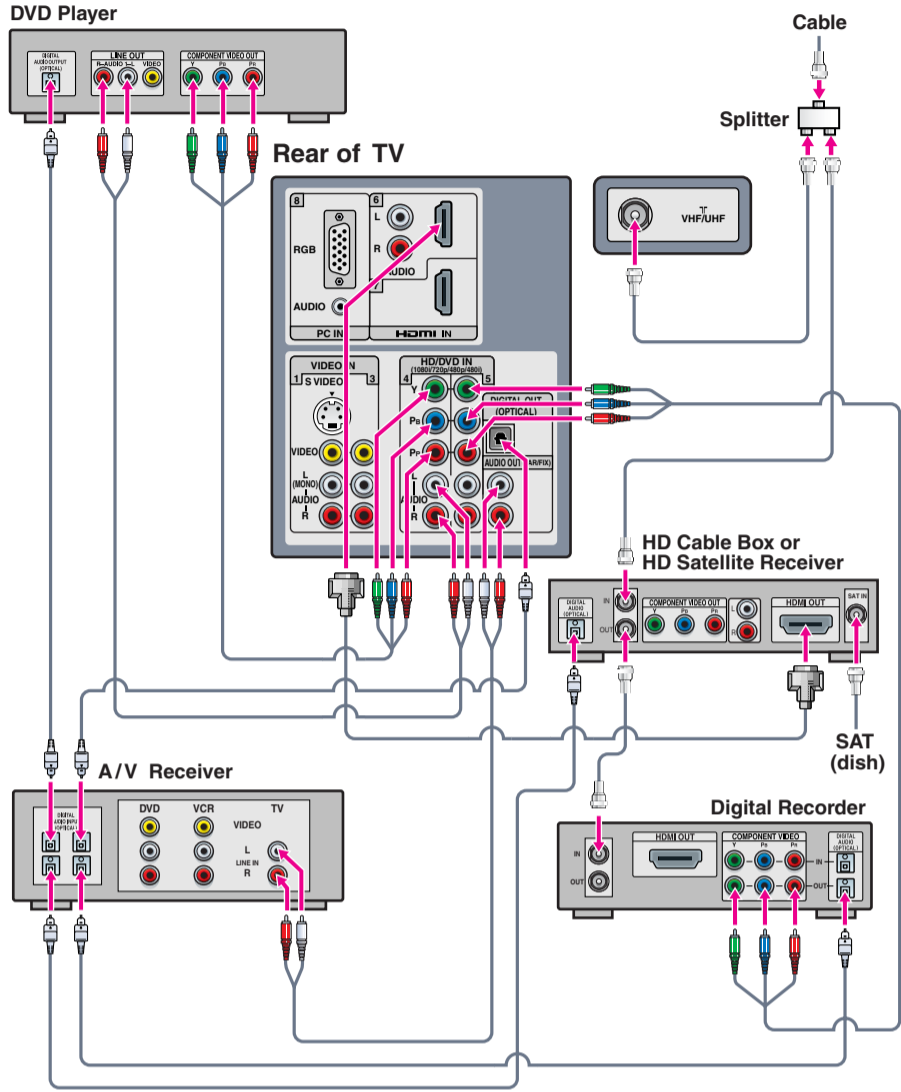
Use this diagram if you have; Cable/Antenna

HD Cable Box DVD Player AV Receiver Digital Recorder

or

HD Sat Receiver

Cables Required	
Splitter	1
Coaxial	5
Component	2
Audio	2
HDMI	1
Optical Audio	4



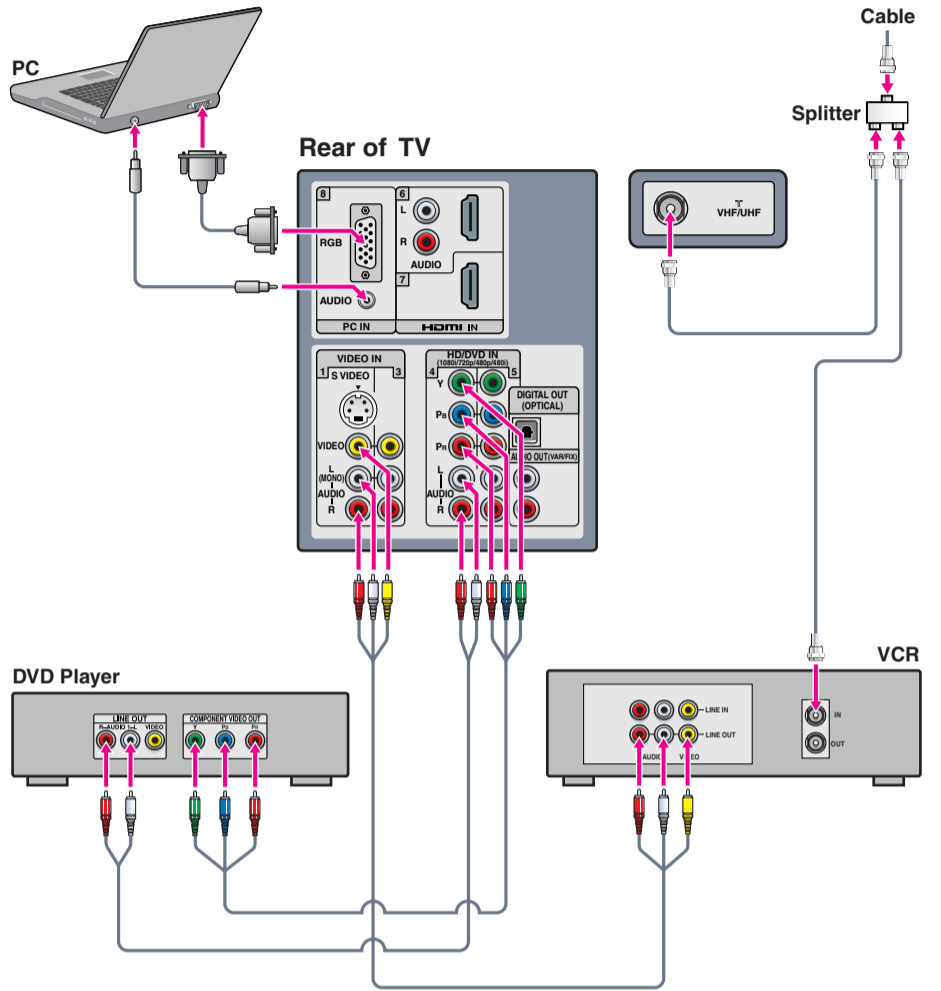
C

Use this diagram if you have;

Cable/Antenna VCR DVD Player PC

Cables Required	
Splitter	1
Coaxial	3
Composite	1
Component	1
Audio	2
HD15-HD15	1

If your DVD player has an HDMI jack, use that instead of the video connections shown here.



D

Use this diagram if you have; Cable/Antenna

Cable Box VCR DVD Player PC AV Receiver

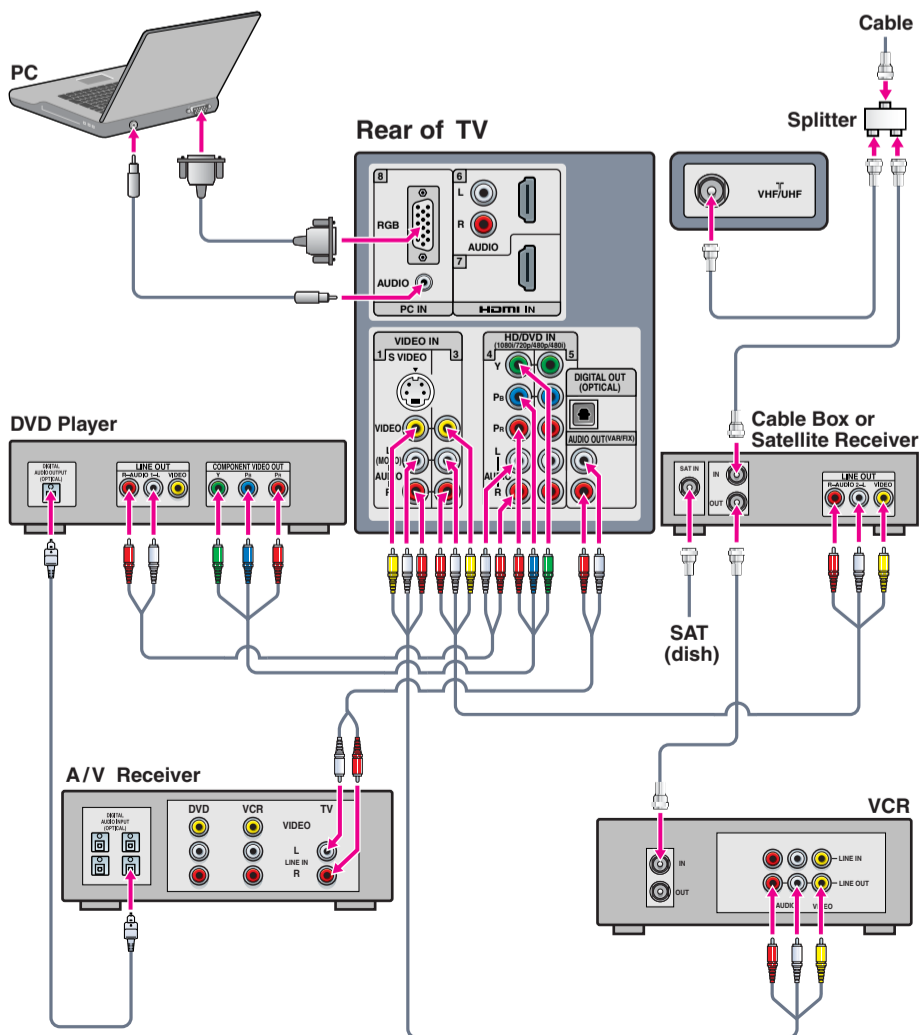
or

Satellite Receiver

Cables Required	
Splitter	1
Coaxial	5
Composite	2
Component	1
Audio	3
HD15-HD15	1
Optical Audio	1

If your DVD player or satellite receiver has an HDMI jack, use that instead of the video connections shown here.

If you are not using a cable box or satellite receiver, connect your cable to the VCR's RF IN jack.



E

Use this diagram if you have; Cable/Antenna

Cable Box VCR DVD Player Satellite Receiver

Cables Required	
Splitter	1
Coaxial	5
Composite	3
Component	1
Audio	1
HDMI	1

If your DVD player or satellite receiver has an HDMI jack, use that instead of the component/composite video connections.

If you are not using a cable box, connect your cable to the VCR's RF IN jack.

