

Counter-Depth Refrigerator

E23CS78GPS professional series



PureAdvantage™ Filtration Systems

The most advanced filtration systems available offer fresher, cleaner air, ice and water. Simple to operate with quick, easy filter replacement. Lights alert when the air and water filters need changed.



Full-Width Formed Glass Shelves

Exclusive, frameless, fully extendable SpillSafe™ Shelving System provides easy access and can capture spills of up to 47.5 ounces.



Smooth-Glide™ Full-Extension System

Crispers, deli drawer and freezer basket slide in and out with ease, extending completely for convenient access to stored food.



Illumination Solutions

Transition lighting that is so thoughtfully designed that it gradually illuminates the interior of the refrigerator with soft but ample light.

COUNTER-DEPTH REFRIGERATOR

ENERGY STAR®	Yes
--------------	-----

Capacities

Total Capacity	22.6 Cu. Ft.
Fresh Food Volume	14.06 Cu. Ft.
Freezer Volume	8.5 Cu. Ft.
Total Shelf Area	23.7 Sq. Ft.
Fresh Food Shelf Area	17.26 Sq. Ft.
Freezer Shelf Area	6.4 Sq. Ft.

Exterior

Ice/Water Dispenser	7 Button
Lighted Actuators	Yes
Night Light	Yes
Crushed/Cubes/Water	Yes
Express Ice™	Yes
Express Freeze™	Yes
Lock	Yes
Filter Reset	Yes

Fresh Food Conveniences

PureAdvantage™ Air Filtration System	Yes
PureAdvantage™ Water Filtration System	Yes
Temperature Alarm	Yes
Door Ajar Alarm	Yes
Power Failure Alarm	Yes
Sliding SpillSafe™ Shelves with Silver Trim	3
Smooth-Glide™ Full-Extension Crispers with Silver Trim	2
Smooth-Glide™ Full-Extension Deli Drawer with Silver Trim	1
Clear 1-Gallon Removable Door Bin	1
Clear 2-Liter Adjustable Door Bin	2
Removable Dairy Compartment with Clear Door	1
Clear Temperature-Controlled Deli/Meat Drawer	1
Condiment Bottle Door Storage	1
Dual Humidity-Controlled Clear Crisper	1
Lower Humidity-Controlled Clear Crisper	1
In-Door Can Rack	1
Clear Tall Bottle Retainer	1
Illumination Solutions Lighting	Yes
Dynamic Cool™ Digital Temperature Control System	Yes

Freezer Conveniences

Automatic Ice Maker with Ice Server	Factory Installed
Ice Maker On/Off Switch	Yes
Glass Shelf with Silver Trim	2
Smooth-Glide™ Full-Extension Freezer Basket	1
Full-Width/Full-Extension Basket	2
Full-Width Lower Basket	1
Fixed Door Bin	1
Silver Tilt-Out Wire Door Rack	3
Ice Cream Shelf	Yes
Dual-Level Lighting	Yes

Installation

Adjustable Rollers	Yes
Door Stops	Yes

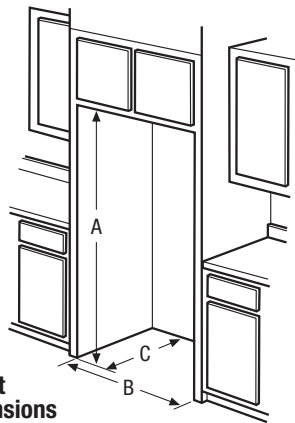
Accessories

Collar Kit – ECK23CDS	Optional
Louvered Trim Kit – 4480	Optional

Specifications

Cutout Dimensions –	
Height	70-1/4"
Width	36"
Depth	24"
Power Cord Location	Right Bottom Rear
Water Line Inlet Location	Left Bottom Rear
Product Weight	300 Lbs.
Shipping Weight (Approx.)	325 Lbs.
UPC (0-12505-)	69374-8

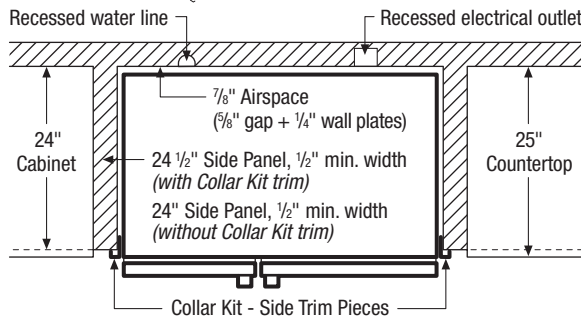
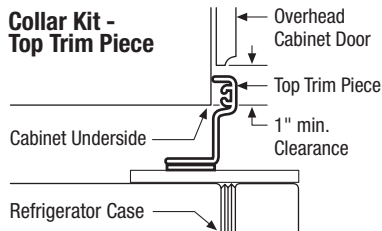
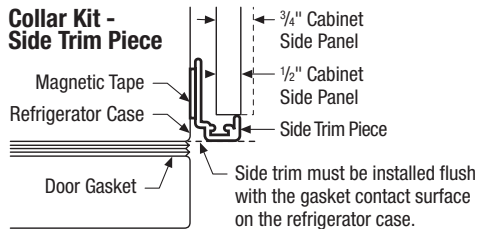
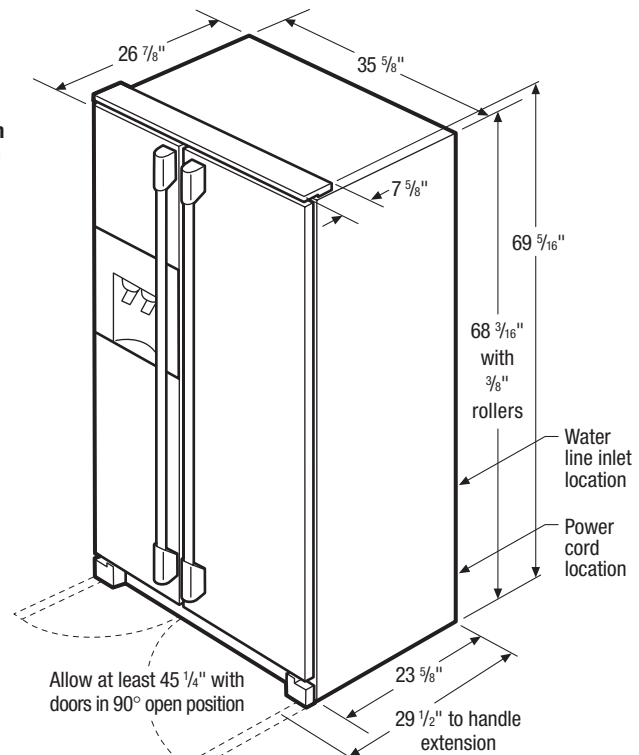
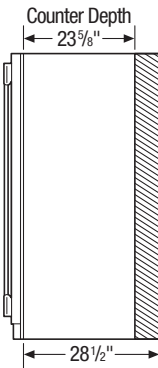
NOTE: Always consult local and/or national electric codes. Refer to Product Installation Guide for detailed installation instructions on the web at electroluxusa.com.



Cutout Dimensions

Standard "Built-in Look"	With Collar Kit (ECK23CDS)
(A) 70 1/4"	(A) 70 1/4"
(B) 36"	(B) 36 1/8"
(C) 24"	(C) 24 1/2"

Standard Refrigerator Depth vs. Counter Depth



Counter-Depth Refrigerators Specifications

- Product Weight – 300 Lbs.
- When installing next to wall where handle may make contact, allow 3-1/2" clearance on side of refrigerator.
- If optional Collar Kit (ECK23CDS) is to be used, refer to Collar Kit specifications on this page for different cutout dimensions.
- If optional Louvered Trim Kit (4480) is to be used, different cutout dimensions are required. Refer to Louvered Trim Kit (4480) Installation Specifications in the Electrolux ICON™ Design & Specification Guide on the web at electroluxusa.com.

Standard "Built-In Look" Specifications

- Minimum opening of 70-1/4" H x 36" W x 24" D required for standard "Built-in Look." (70-1/4" H to be measured from finished floor to underside of soffit or overhead cabinet.)
- Remove all wall/floor molding prior to installation.
- Water recess on rear wall recommended to prevent water line damage. Minimum recommended size tubing is 48" x 1/4".
- When possible, recess copper water line and electrical outlet.
- Always consult local and/or national electric & plumbing codes.
- Front rollers are adjustable for "Built-In Look."

Optional Collar Kit (ECK23CDS) Specifications

- To use optional Collar Kit, an enclosure is required around refrigerator having a minimum opening of 70-1/4" H x 36-1/8" W x 24-1/2" D with 1/2" minimum side panels.
- Add maximum of 1/4" to 70-1/4" opening height when installed with frameless-style overhead cabinets, for door opening clearance.
- The cabinet or soffit above refrigerator must extend out to same depth as side panels.
- To provide additional clearance for overhead cabinet doors when in open position, allow 1" from underside of cabinet to bottom of cabinet door.
- A minimum width of 36-1/8" is required for refrigerator installation with an additional 1/2" or 3/4" added for each side panel.
- If 1/2" side panels are used, then side trim piece and panel will be even. If 3/4" side panels are used, then 1/4" of side panel will extend beyond collar trim and must be finished.

Note: Refer to Product Installation Guide for detailed instructions on the web at electroluxusa.com.

Optional Accessories

- Collar Kit – (ECK23CDS).
- Louvered Trim Kit – (4480).