

SANUS | SYSTEMS

THE UNION OF FORM AND FUNCTION

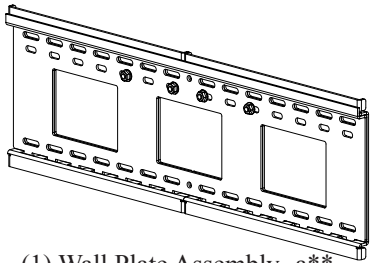
Assembly Instructions for Model: VMPL3

Thank you for choosing a Sanus Systems VisionMount™ Wall Mount. The VMPL3 is designed to hold 27"-84" Flat Panel LCD or Plasma Displays weighing up to 280 lbs. It will allow you to effortlessly tilt the display from +6° to -12°!

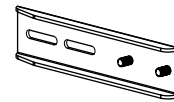
Safety Warning: If you do not understand these directions, or have any doubts about the safety of the installation, please call a qualified contractor or contact Sanus at 800.359.5520 or www.sanus.com. Prior to installation, carefully check to make sure that there are no missing or defective parts. Our customer service representatives can quickly assist you with installation questions and missing or damaged parts. Replacement parts for products purchased through authorized dealers will be shipped directly to you. Never use defective parts. Improper installation may cause damage or serious injury. Do not use this product for any purpose that is not explicitly specified by Sanus Systems. Sanus Systems can not be liable for damage or injury caused by incorrect mounting, incorrect assembly, or incorrect use. Please call Sanus Systems before returning products to the point of purchase.

Required Tools: Phillips screw driver, 3/16" drill bit, 1/2" masonry bit (for brick, concrete or concrete block installations) and a socket set.

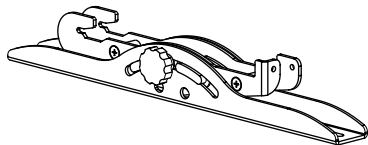
Supplied Parts and Hardware: Some parts not shown as actual size* Not Shown at same scale**



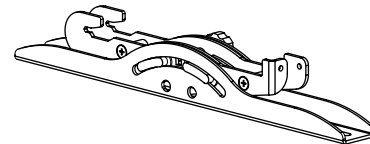
(1) Wall Plate Assembly - a**



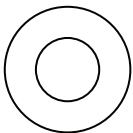
(4) Monitor Bracket Extensions - b*



(1) Right Monitor Bracket - c*



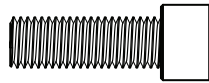
(1) Left Monitor Bracket - d*



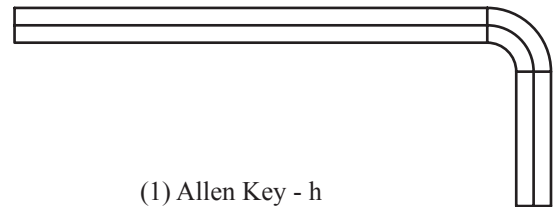
(8) Nylon Washer - e



(8) Flange Nut - f



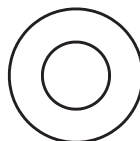
(2) Safety Bolt - g



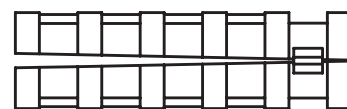
(1) Allen Key - h



(6) Lag Bolt - i

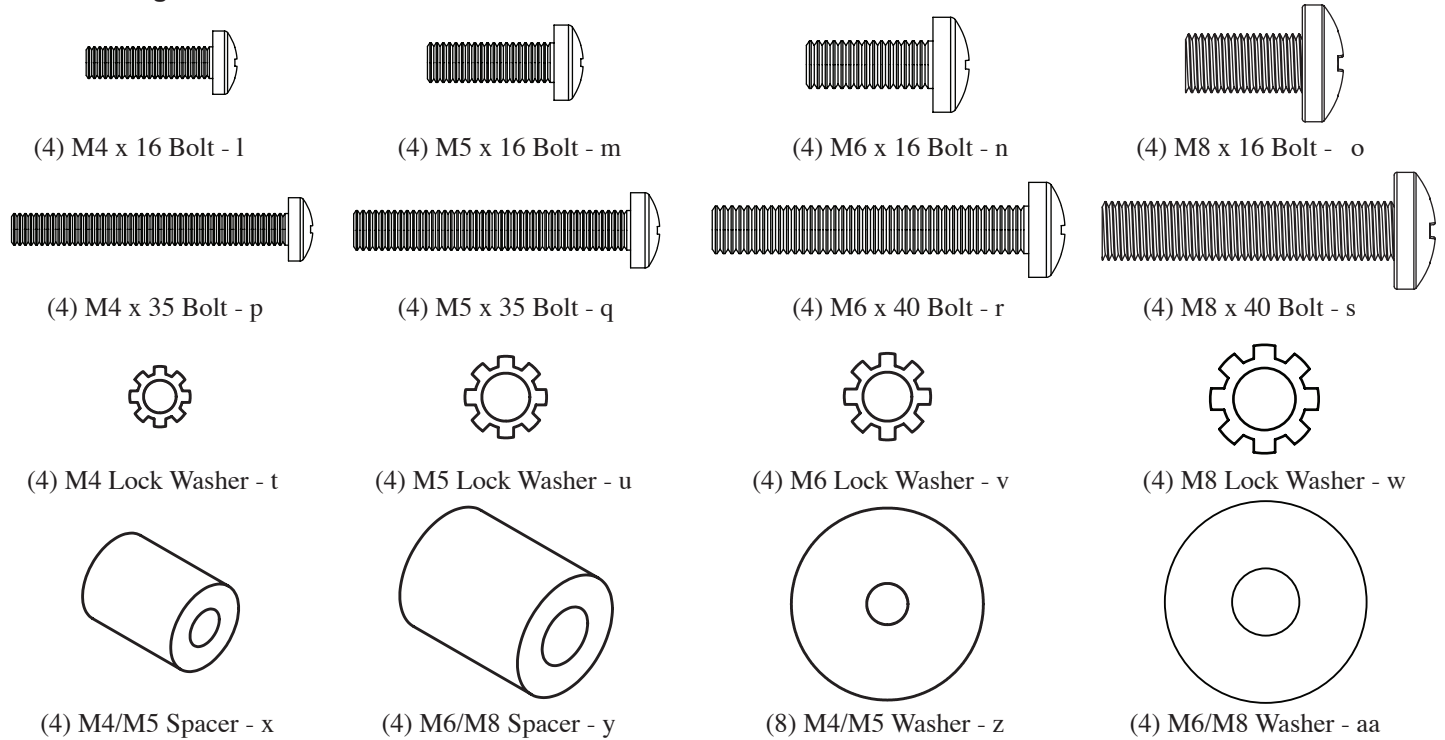


(6) Lag Bolt Washer - j



(6) Concrete Anchor - k

TV Mounting Hardware: Shown as actual size

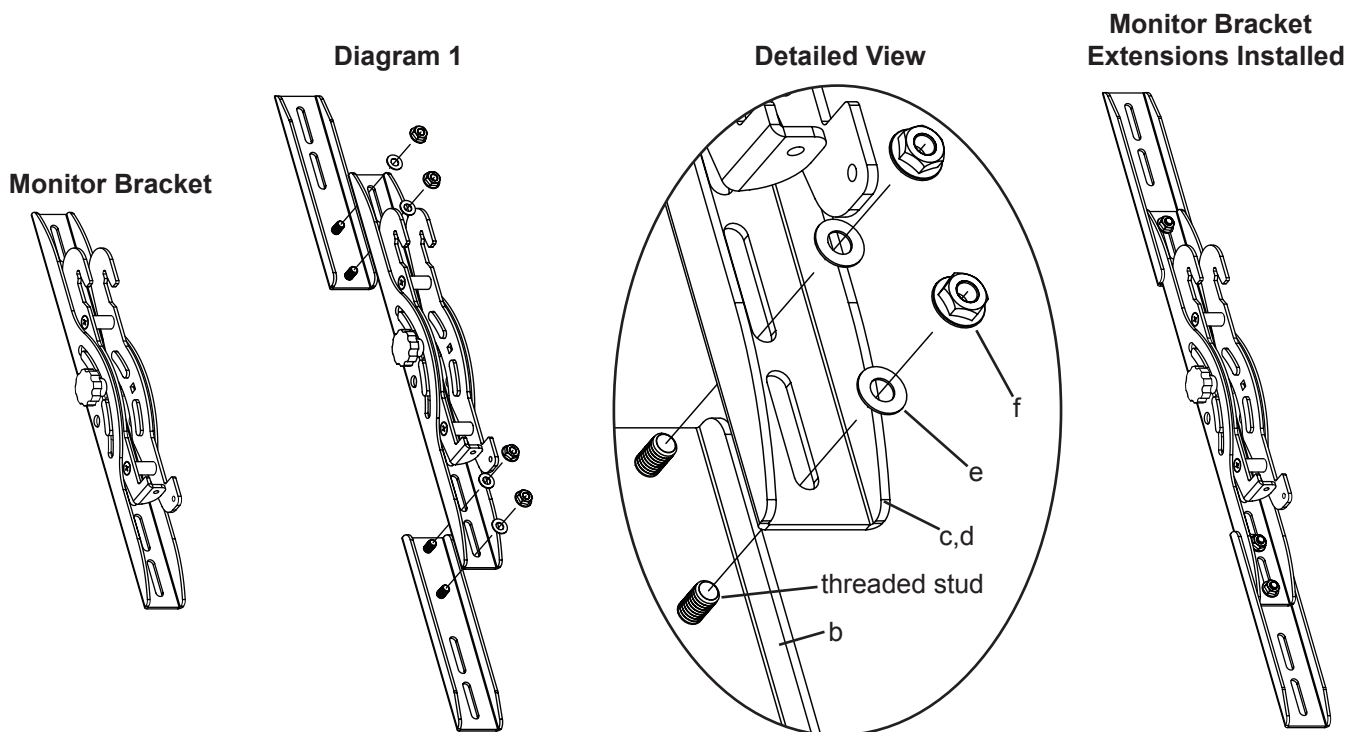


Step 1: Configure the Monitor Brackets

Determine if you need to install the Monitor Bracket Extensions (b) onto the Monitor Brackets (c,d) by placing a Monitor Bracket on the back of the TV. If the hole pattern on the back of the TV falls within the vertical reach of the Monitor Bracket, you do not need to install the Monitor Bracket Extensions. Proceed to Step 2.

Note: Both Monitor Bracket Extensions must either be used for each arm or none should be used at all

To install the Monitor Bracket Extensions (b) place the threaded stud portion through the Monitor Bracket (c,d). Slide a Nylon Washer (e) onto the threaded stud, and secure the Monitor Bracket Extension by threading and tightening a Flange Nut (f) onto each threaded stud. The Monitor Bracket Extensions can be adjusted to the correct height. The Diagrams below show the maximum extension. Both threaded studs on each Monitor Bracket Extension must pass through the Monitor Bracket to ensure a safe installation!

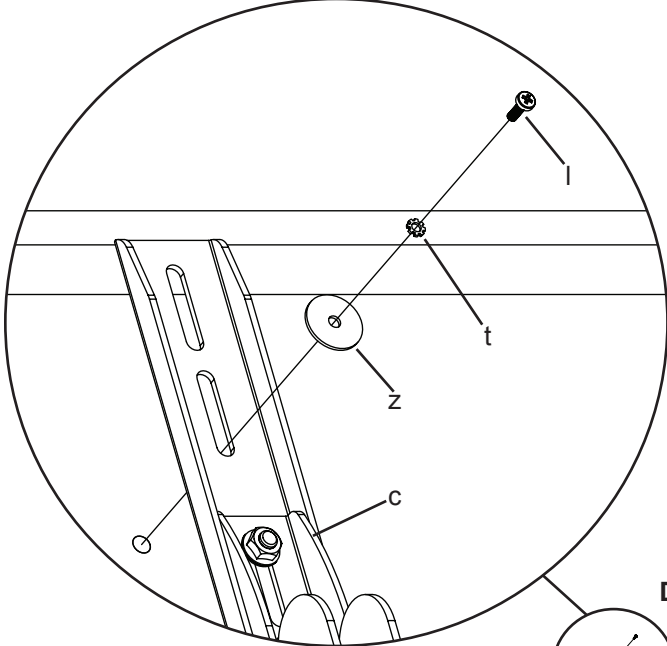


Step 2: Install Monitor Brackets to a television with a flat back

Note: For televisions with a curved back, or an obstruction near the threaded insert see Step 3.

First, determine the diameter of the Bolt (l,m,n,o) your TV requires by hand threading them into the threaded insert on the back of the TV. If you encounter any resistance stop immediately! Once you have determined the correct diameter, see the appropriate Diagram below. You will thread the Bolt through the appropriate Lock Washer (t,u,v,w), the corresponding Washer (z,aa), the Monitor Bracket (c,d) or the Monitor Bracket Extension (b), and finally into the TV. Make sure the Monitor Brackets are vertically centered and level with each other. See the appropriate Diagram below.

M4 Diameter Bolt



M6 Diameter Bolt

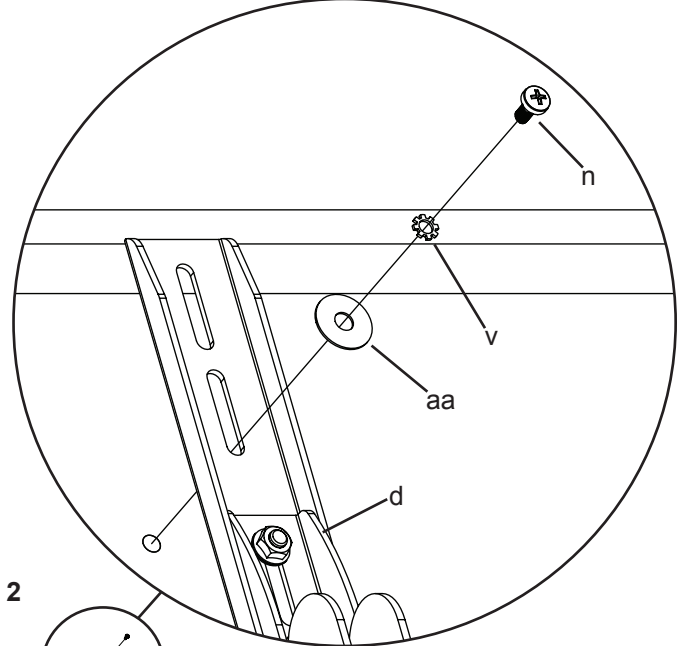
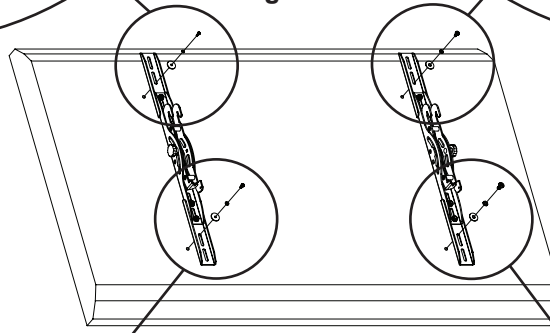
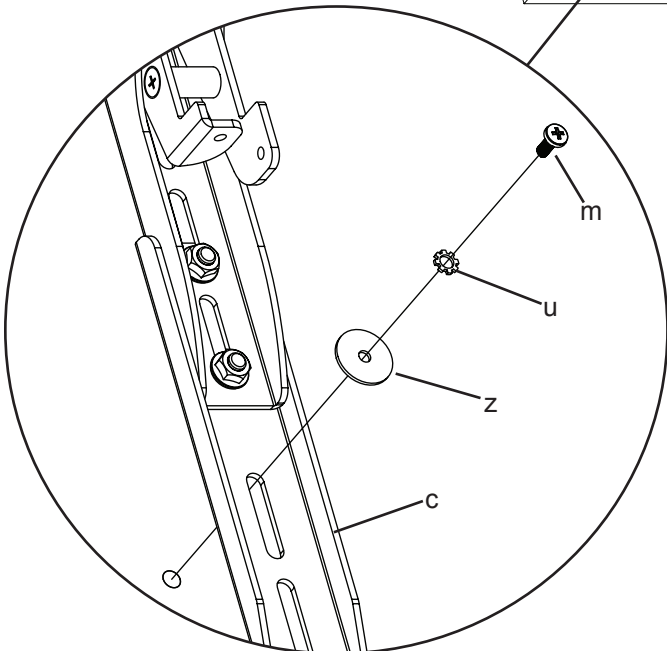


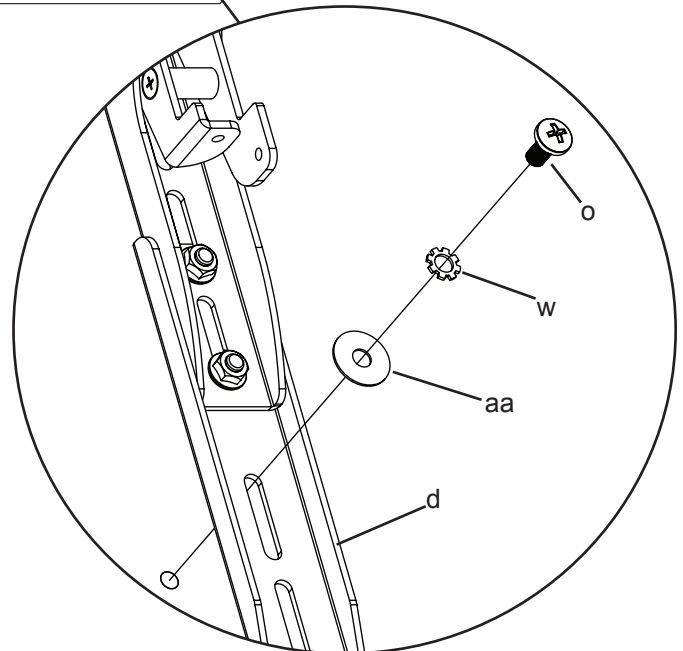
Diagram 2



M5 Diameter Bolt



M8 Diameter Bolt

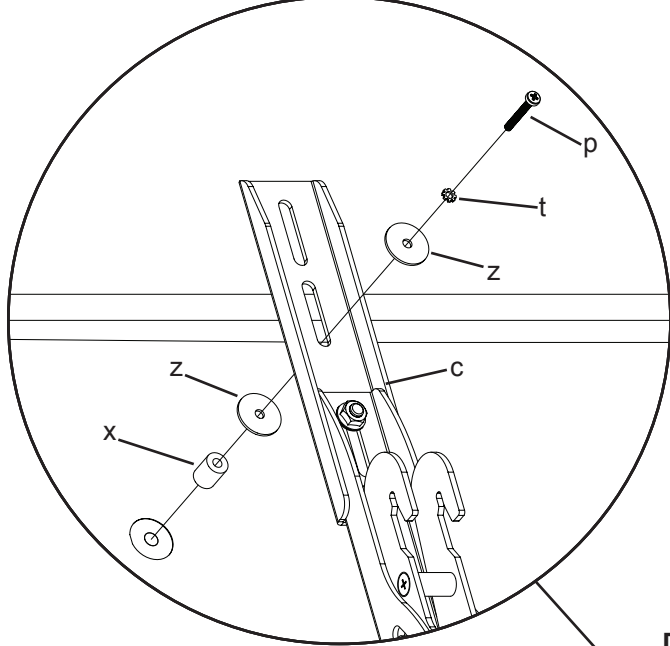


Note: After completing this step, go to Step 4.

Step 3: Install Monitor Brackets to a television with a curved back or an obstruction near the threaded insert

First, determine the diameter of the Bolt (p,q,r,s) your TV requires by hand threading them into the threaded insert on the back of the TV. If you encounter any resistance stop immediately! Once you have determined the correct diameter, see the appropriate Diagram below. You will thread the Bolt through the appropriate Lock Washer (t,u,v,w), the corresponding Washer (z,aa), the Monitor Bracket (c,d) or Monitor Bracket Extension (b), a second Washer (z - M4/M5 diameters only), a Spacer (x,y) and finally into the TV. Make sure the Monitor Brackets are vertically centered and level with each other. See the appropriate Diagram below.

M4 Diameter Bolt



M6 Diameter Bolt

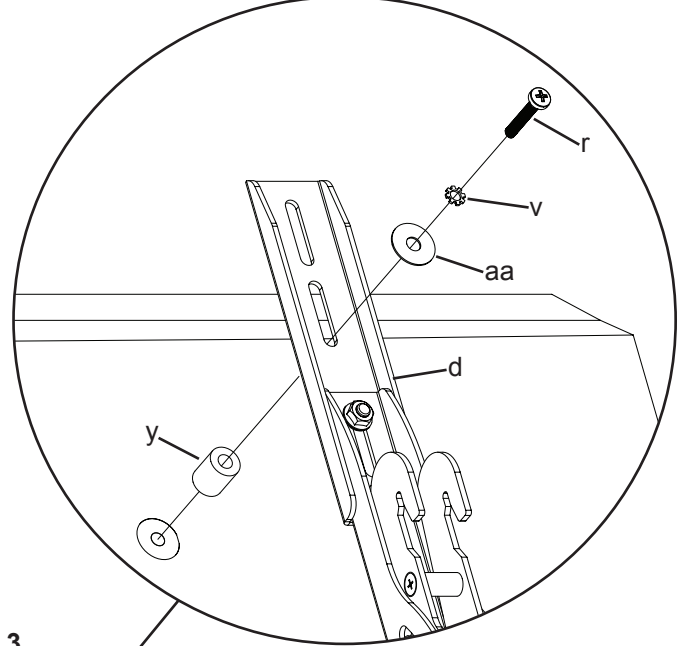
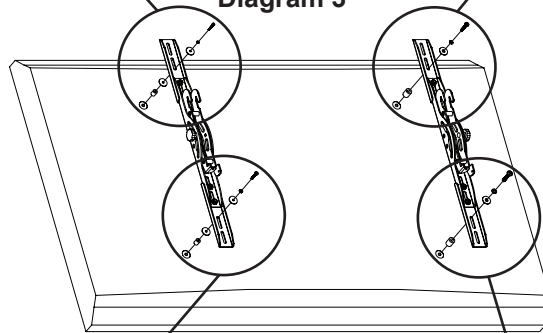
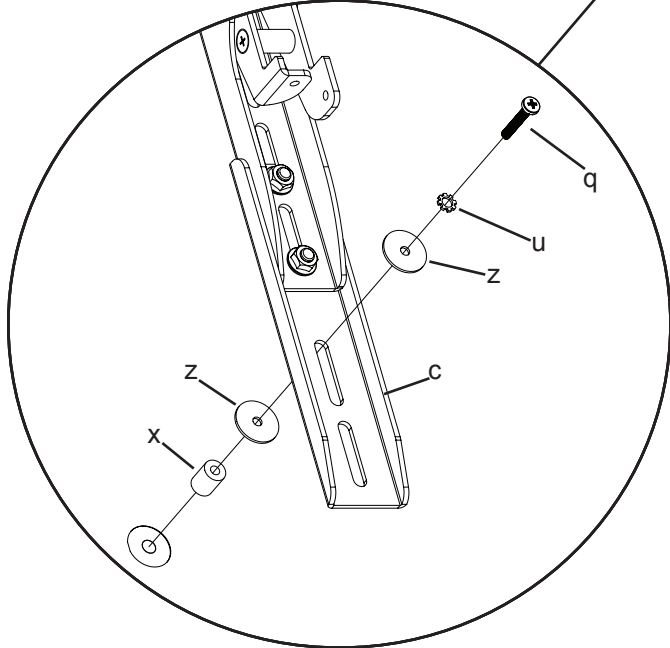


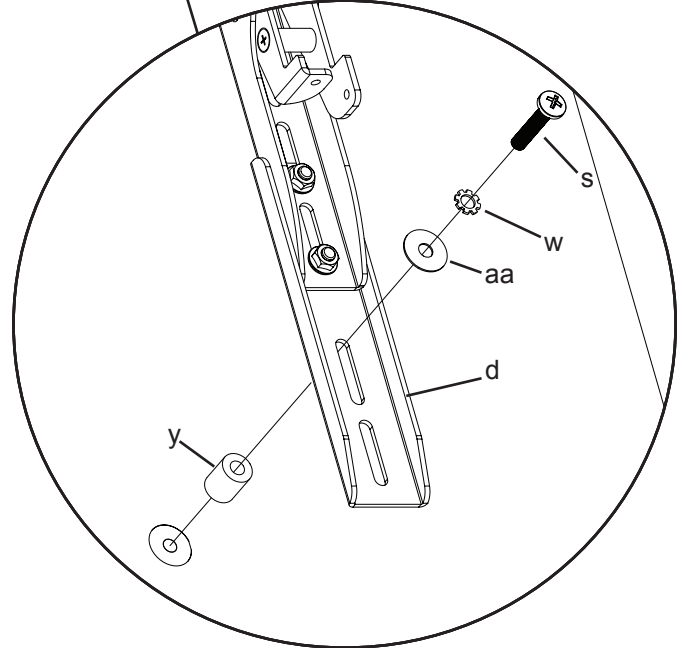
Diagram 3



M5 Diameter Bolt



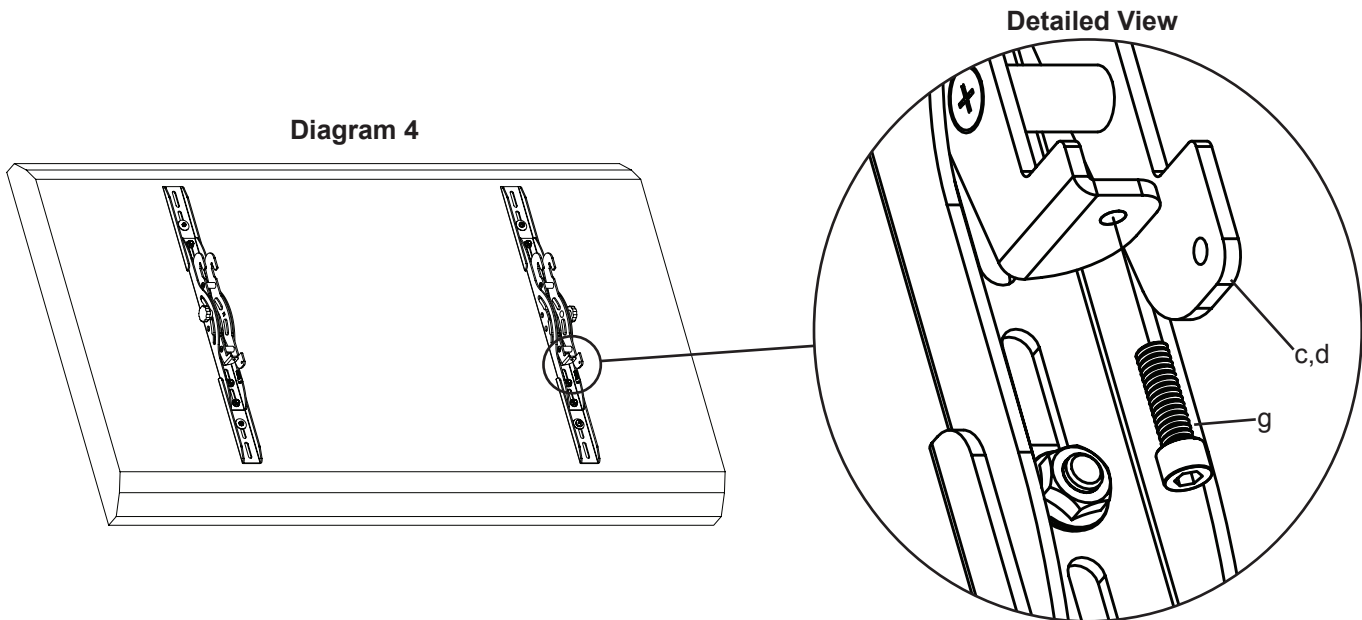
M8 Diameter Bolt



Step 4: Add Safety Bolts

Thread a Safety Bolt (g) into the bottom portion of each Monitor Bracket (c,d) approximately 1/4". See Detailed View of Diagram 4 for assistance.

Note: You will firmly tighten the Safety Bolt in the final step of the installation.

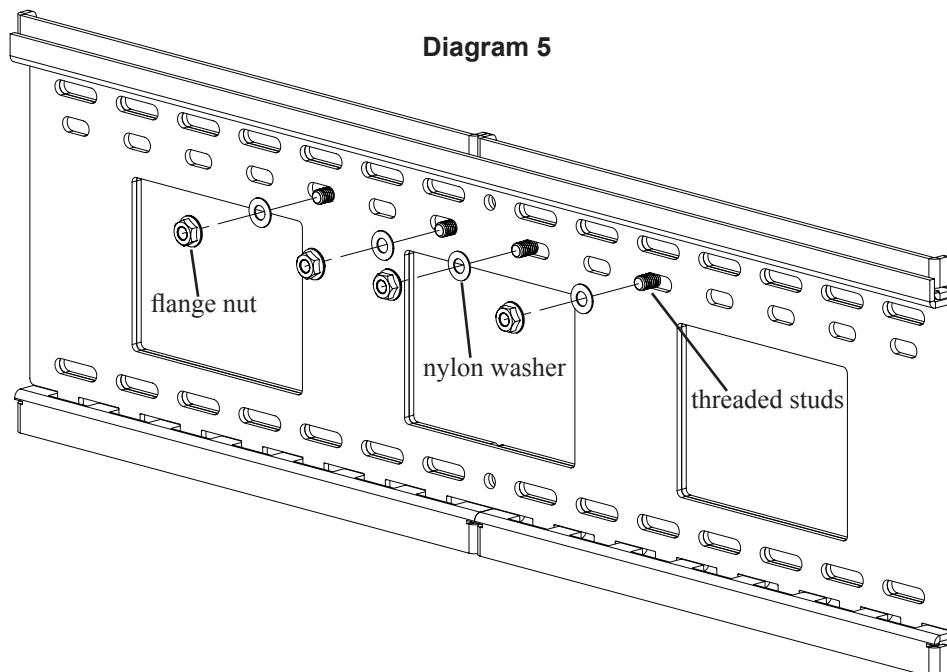


Step 5: Configure Wall Plate Assembly (part I)

The Wall Plate Assembly (a) can be adjusted in width from 27" to 42". Select how wide you want the Wall Plate Assembly based on the following criteria:

- Width of TV (Wall Plate Assembly should be configured so the total width is less than the overall width of your TV)
- Width of Hole Pattern on TV (Wall Plate Assembly should be wider than the horizontal distance between threaded inserts on the back of your TV by at least 2")
- Stud Spacing (Sanus recommends attaching Wall Plate Assembly to 3 studs for TVs over 125 lbs.)

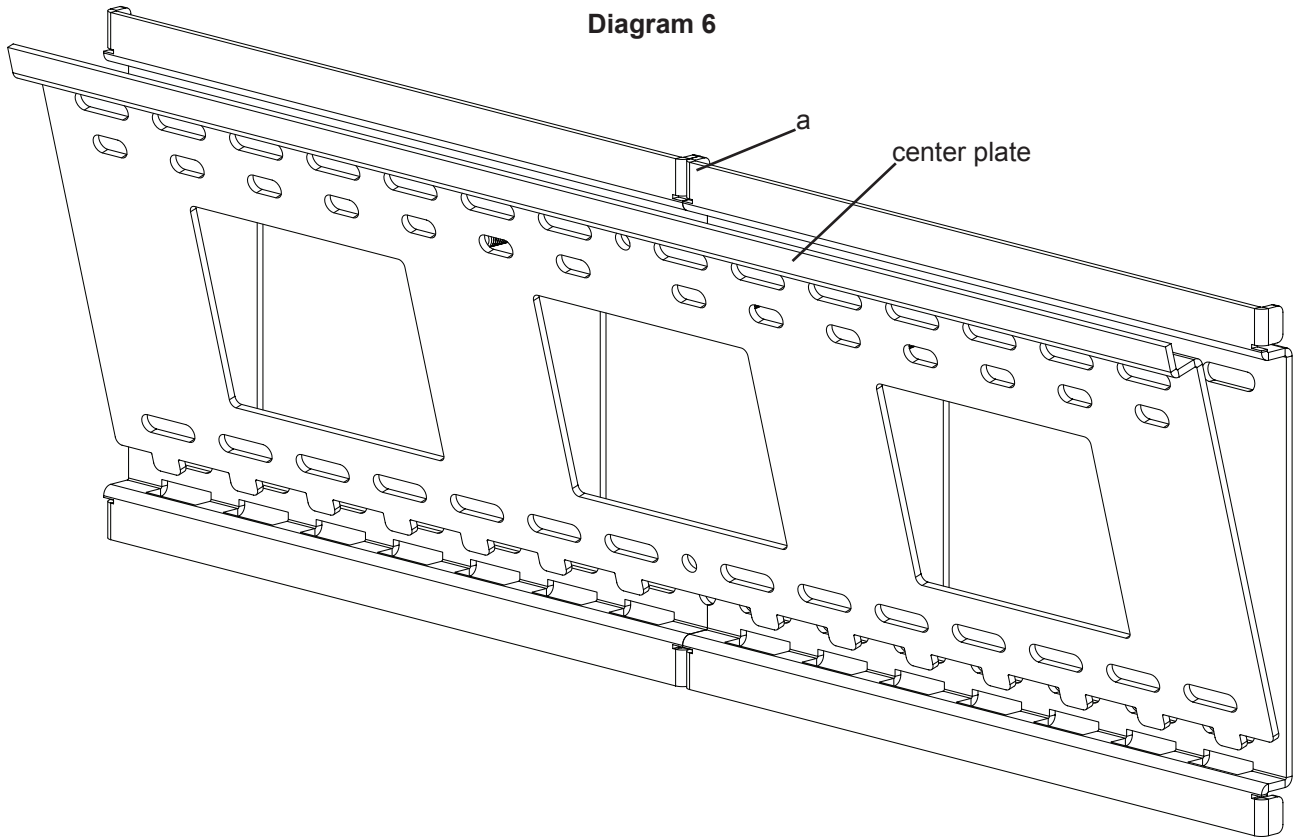
To adjust the width of the Wall Plate Assembly (a), remove each Flange Nut and Nylon Washer as seen in Diagram 5. Proceed to Step 6 (part II) for further instruction.



Note: Monitor Bracket MUST hang on the left and right extension panels of the Wall Plate Assembly, they can not hang directly on the center plate.

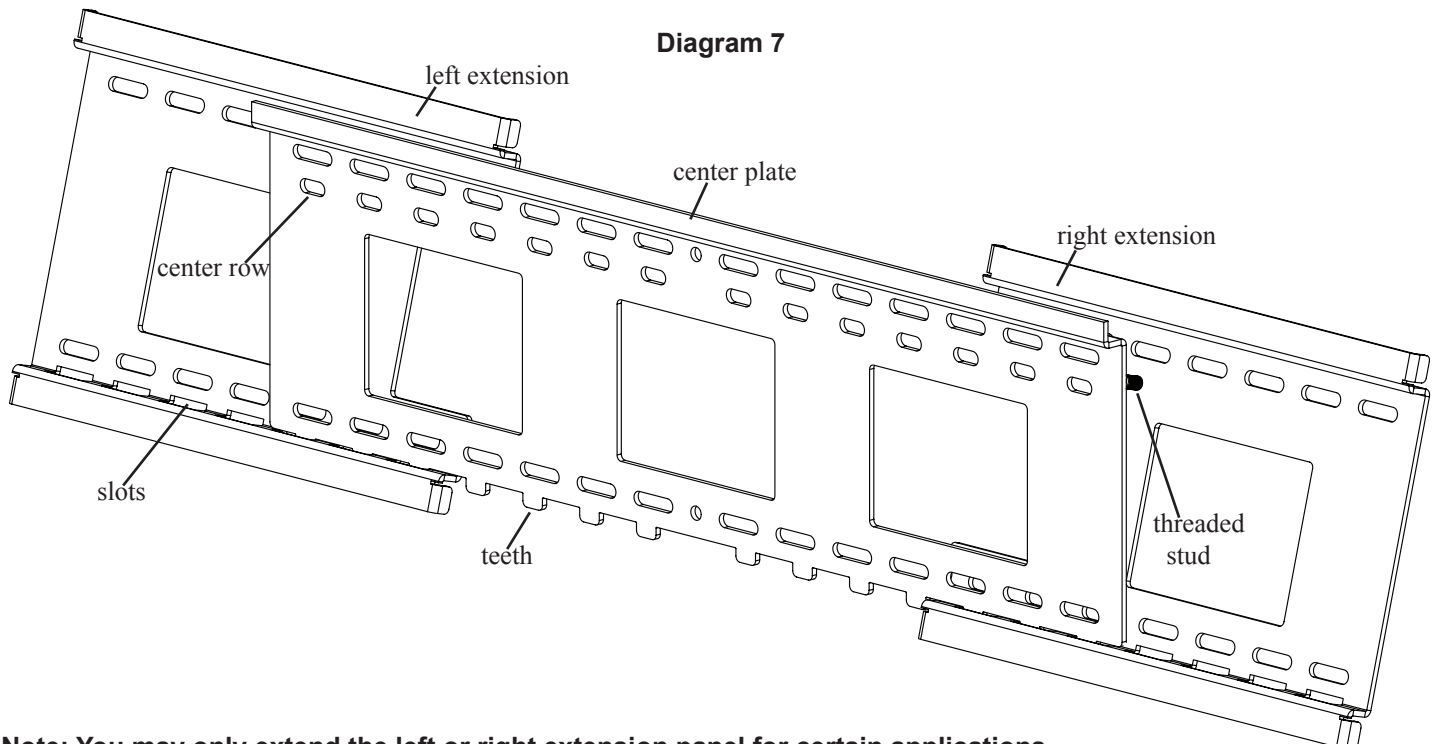
Step 6: Configure Wall Plate Assembly (part II)

Remove the center plate of the Wall Plate Assembly (a) as shown in Diagram 6. See Step 7 (part III) for further instruction.



Step 7: Configure Wall Plate Assembly (part III)

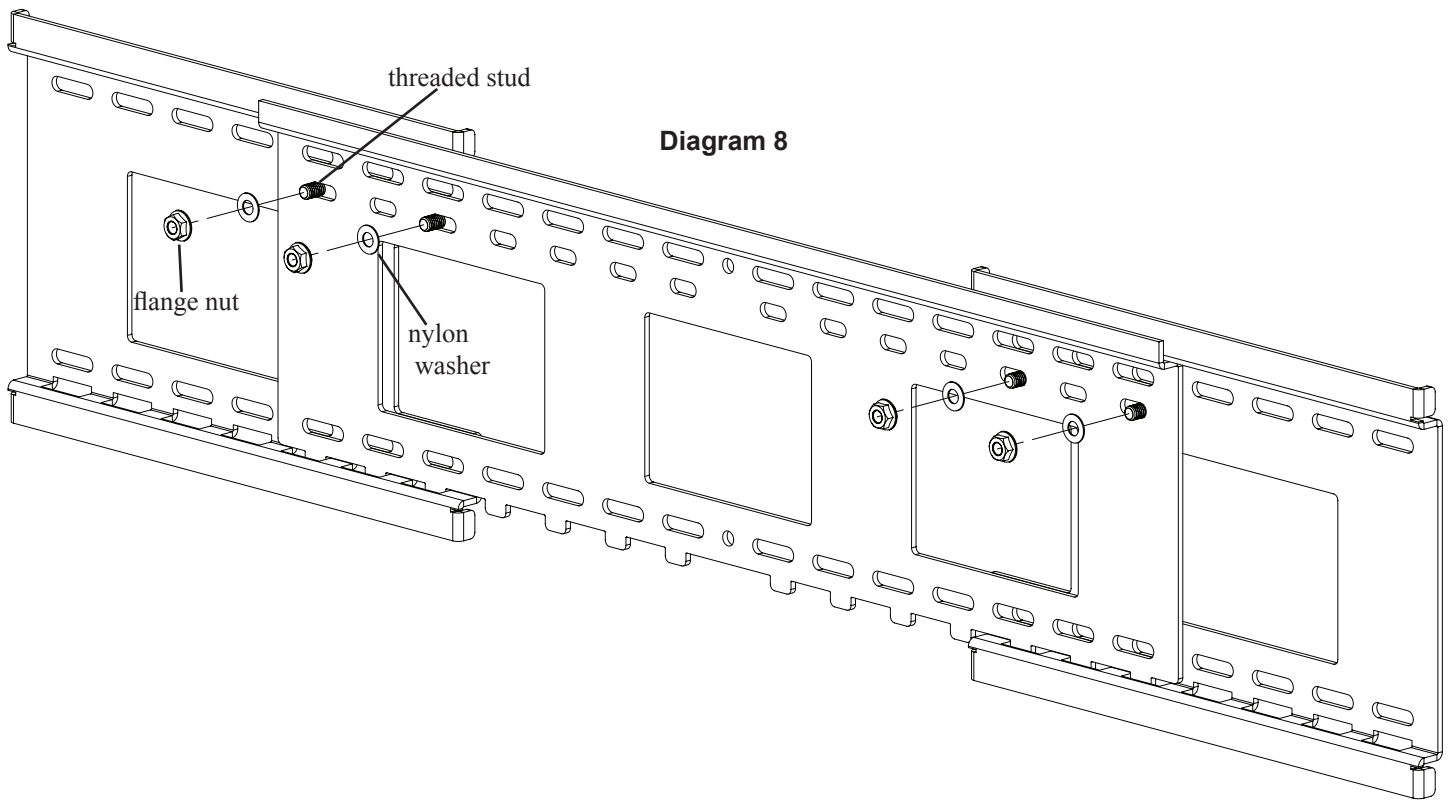
Separate the left extension and right extension of the Wall Plate Assembly (a) so the outer edges are equal to your desired width as shown in Diagram 7. Insert the center plate of the Wall Plate Assembly you removed in Step 6 so the “teeth” on the bottom fit into the slots in the left extension and right extension. Make sure the threaded studs in the extension panels fit through the center row of holes in the center plate. See Step 8 (part IV) for further instruction.



Note: You may only extend the left or right extension panel for certain applications.

Step 8: Configure the Wall Plate (part IV)

Slide a Nylon Washer and thread a Flange Nut onto each threaded stud of the Wall Plate Assembly (a) as shown in Diagram 8. Proceed to firmly tighten each Flange Nut with a socket.



Step 9: Install Wall Plate Assembly on wall.

Wood Stud mounting:

The Wall Plate Assembly (a) **must be mounted to two or three wood studs, each at least 12" apart.** Use a high quality stud sensor to locate two or three adjacent studs. It is a good idea to verify where the studs are located with an awl or thin nail shown in Diagram 9a. Pre-drill a 2.5" deep hole at the desired height in each stud using a 3/16" drill bit. Make sure these holes are in the center area of the studs and level with each other. Use the Wall Plate Assembly as a template to mark the location of the second hole in each stud. Drill 2.5" deep holes using the 3/16" drill bit in each marked location. Attach the Wall Plate Assembly to the wall using Lag Bolts (i) and Lag Bolt Washers (j). Use two Lag Bolts and two Lag Bolt Washers per stud. Make sure the Wall Plate Assembly is oriented so the flat surface in the center of the plate is against the wall and that the threaded studs and flange nuts are close to the top of the Wall Plate Assembly.

Warning: Sanus recommends attaching Wall Plate Assembly to 3 studs for TVs over 125 lbs.

Brick, Solid Concrete and Concrete Block mounting:

Use the Wall Plate Assembly (a) as a template to mark six hole locations on the wall. Locate the outer holes as far to the outer edges of the left and right extension plates as possible. Three in the top row of slots and three more in the bottom row. Make sure these holes are level and there is at least 6" between any two holes. Carefully pre-drill these holes with a 1/2" masonry bit to avoid chipping or breaking. Holes should be at least 2.5" in depth. Insert a Concrete Anchor (k) into each of these holes. Make sure the anchor is seated completely flush with the concrete surface, even if there is a layer of drywall or other material in front. Attach the Wall Plate Assembly to the wall using six Lag Bolts (i) and six Lag Bolt Washers (j). Drill into the brick or block, never the mortar! Make sure the Wall Plate Assembly is oriented so the flat surface in the center of the plate is against the wall and that the threaded studs and flange nuts are close to the top of the Wall Plate Assembly.

Note: Diagrams 9a and 9b are found on the next page.

Step 9 (cont)

Diagram 9a

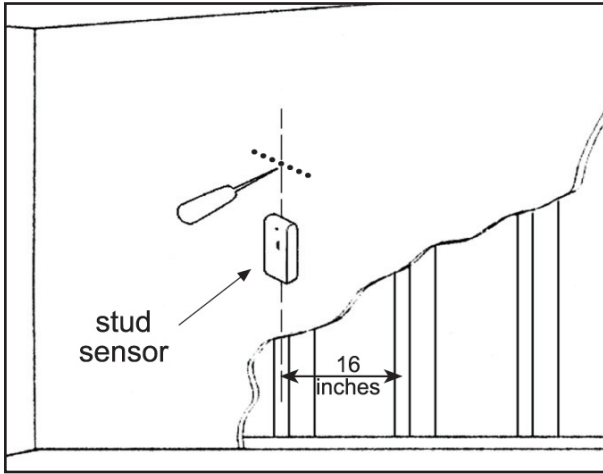
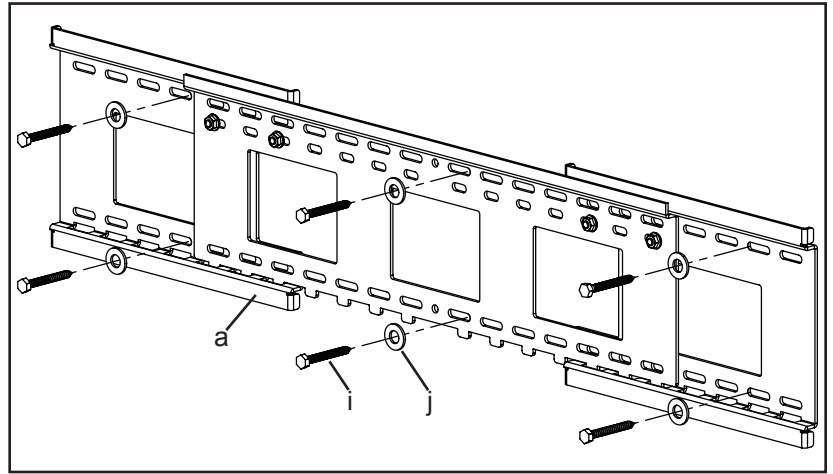


Diagram 9b



Step 10: Hang the TV onto the Wall Plate

Warning: Some televisions may require 2 people to lift! Sanus is not responsible for personal injury or product damage.

Hang the TV onto the Wall Plate Assembly: First hook the Monitor Brackets (c,d) over the top of the Wall Plate Assembly (a), then let the bottom of the Monitor Brackets rotate in under the bottom of the Wall Plate Assembly as shown in diagram 10a. Tighten Safety Bolts (g) with the Allen Key (h) so that they sit behind the bottom tab on the Wall Plate Assembly as shown in the Detailed View of Diagram 10b. Finally set tension of the knobs on the Monitor Brackets and you are free to adjust your new flat panel TV without having to tighten the knobs.

Note: Monitor Bracket MUST hang on the left and right extension panels of the Wall Plate Assembly, they can not hang directly on the center plate.

Diagram 10a

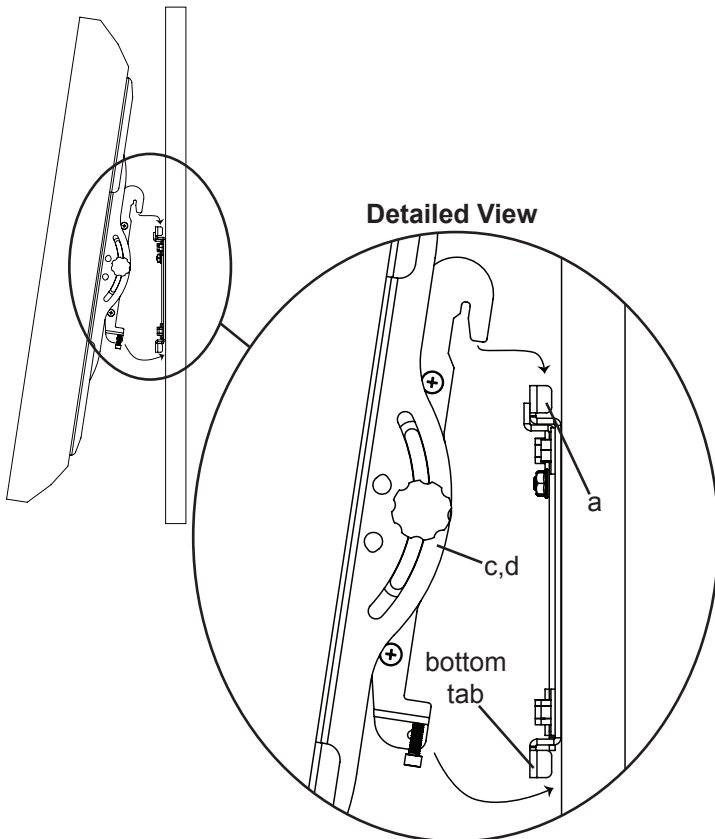


Diagram 10b

