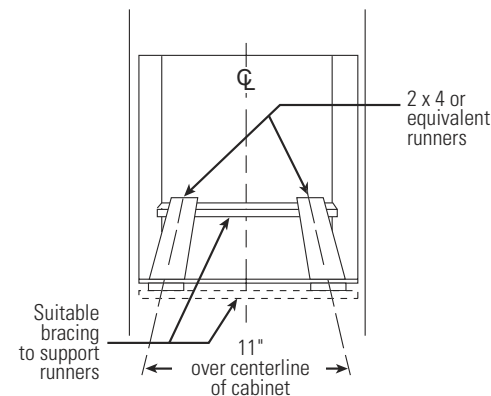
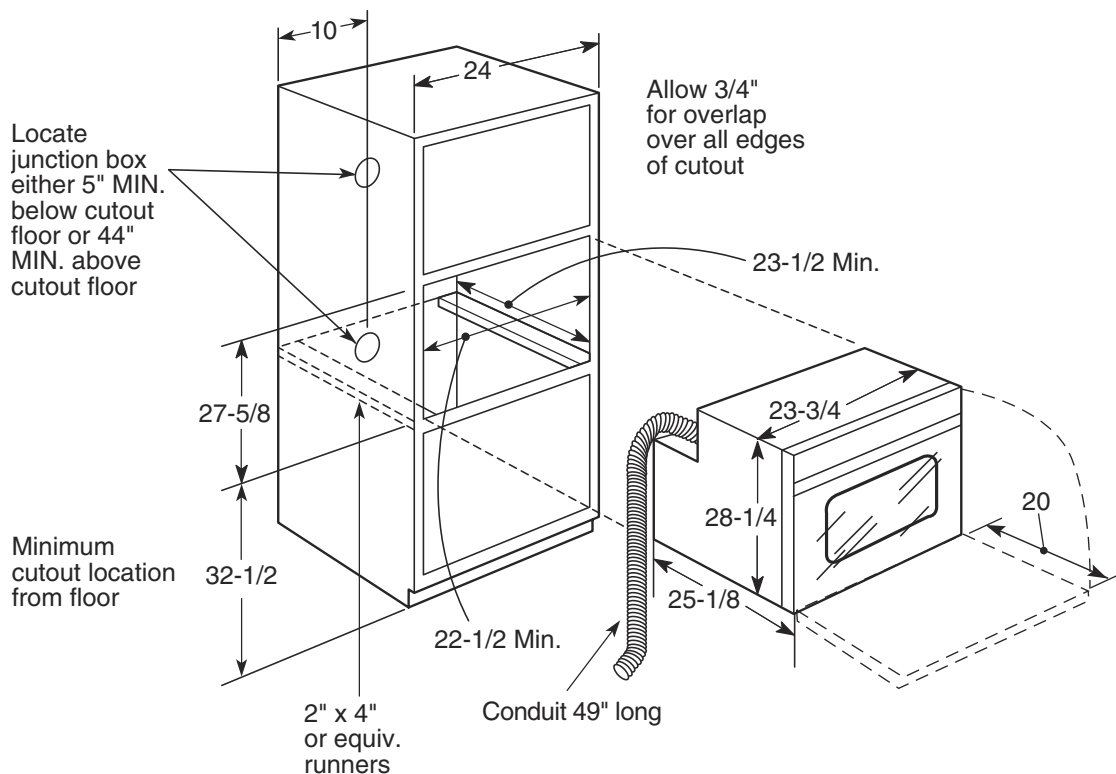




GE Appliances

JRP20WJ/BJ – GE® 24" Built-In Single Oven

Dimensions (in inches)



KW Rating	
240V	3.4
208V	2.6
Breaker Size	
20 Amps [†]	

[†]Check local codes for required breaker size

Installation Information: Before installing, consult installation instructions packed with product for current dimensional data.

Note: Cabinets installed adjacent to wall ovens must have an adhesion spec of at least 194° temperature rating.

Note: This model is NOT approved for stackable or side-by-side installation.

Specification Revised 12/04

320521



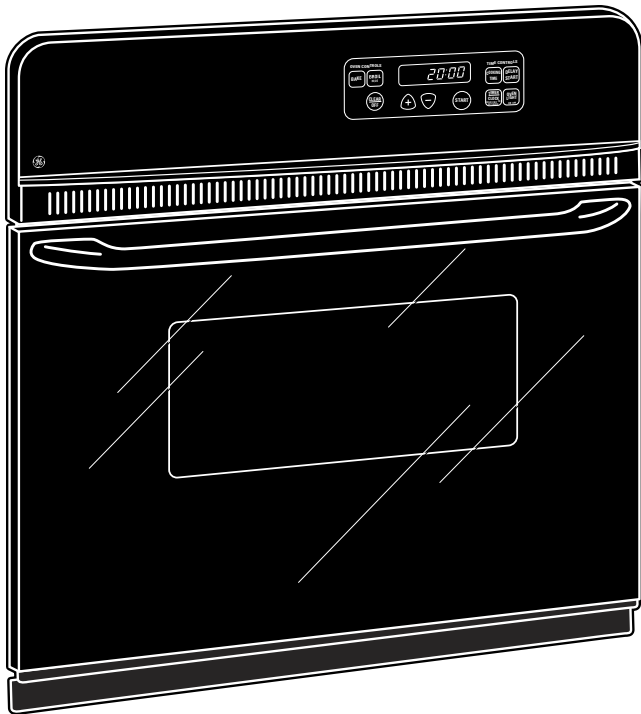
Listed by
Underwriters
Laboratories

For answers to your Monogram,® GE Profile™ or GE® appliance questions, visit our website at GEAppliances.com or call GE Answer Center® service, 800.626.2000.



GE Appliances

JRP20WJ/BJ – GE® 24" Built-In Single Oven



Features and Benefits

- Self-clean oven – Conveniently cleans oven cavity without the need for scrubbing
- Electronic oven controls – One-touch electronic pads are easy-to-use and allow for simple oven operation
- ClearView™ window – Provides a convenient viewing area to check the progress of food
- Interior oven light – Supplies light to make viewing the progress of cooking easy and convenient
- Two oven racks – Feature a durable construction to help accommodate any size or type of cookware
- Multiple oven rack positions – Deliver flexibility and allow consumers to make the most of available oven capacity
- Frameless glass oven door – Offers an easy-to-clean and stylish design that blends seamlessly into existing cabinetry.
- Model JRP20WJWW – White on white
- Model JRP20BJBB – Black on black