

# JGSP28WEK/CEK/BEK GE® 30" Slide-In Gas Range

## Dimensions and Installation Information (in inches)

You must use the rear filler strip kit shipped with the range or the optional accessory backguard when installing these ranges

**Note:** Cabinets installed adjacent to slide-in ranges must have an adhesion spec of at least 194° temperature rating.

### Optional Kits for Slide-In Gas Ranges:

(Available at additional cost)

#### Lower/Side Trim Kits

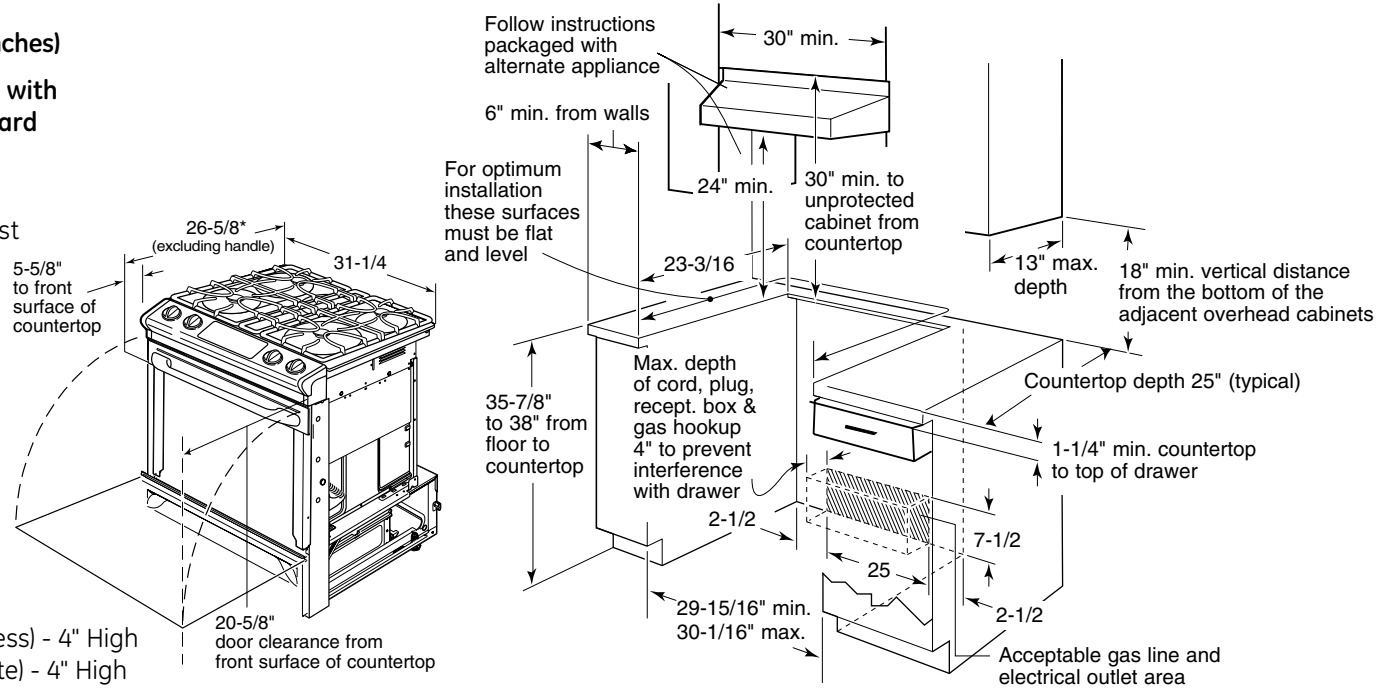
- JXS56BB - Lower Trim Kit (Black)
- JXS56WW - Lower Trim Kit (White)
- JXS56CC - Lower Trim Kit (Bisque)
- JXS77BB - Side Trim Kit (Black)
- JXS77WW - Side Trim Kit (White)
- JXS77CC - Side Trim Kit (Bisque)

#### Accessory Backguards

- JXS32BB (Black) - 4" High
- JXS32SS (Stainless) - 4" High
- JXS32CC (Bisque) - 4" High
- JXS32WW (White) - 4" High
- JXS37BB (Black) - 5-1/4" High
- JXS37CC (Bisque) - 5-1/4" High
- JXS37WW (White) - 5-1/4" High

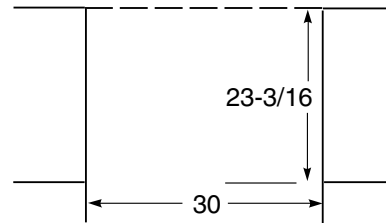
**Installation Information:** Before installing, consult installation instructions packed with product for current dimensional data.

For answers to your Monogram®, GE Profile™ or GE® appliance questions, visit our website at [ge.com](http://ge.com) or call GE Answer Center® service, 800.626.2000.

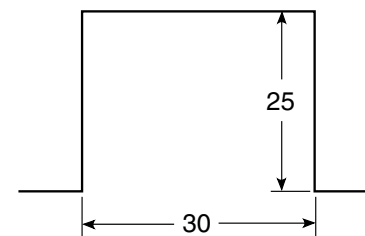


Counter Cutout Dimensions (in inches)

**If you are NOT using the optional Filler or Backguard:**



**If you are using the optional Filler or Backguard:**



imagination at work



All GE ranges are equipped with an Anti-Tip device. The installation of this device is an important, required step in the installation of the range.



Listed by Underwriters Laboratories

Specification Revised 12/06

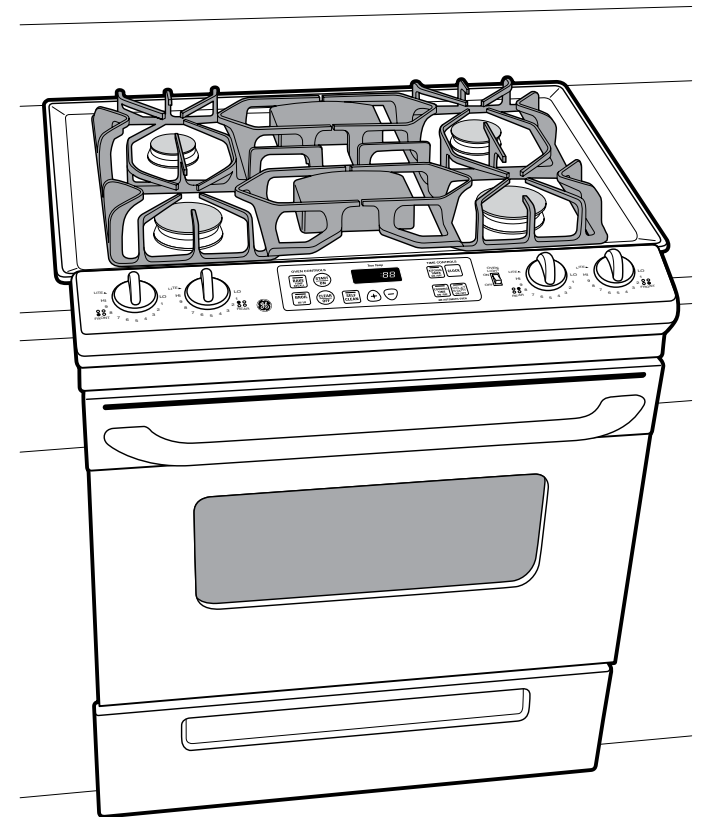
330228

# JGSP28WEK/CEK/BEK

## GE® 30" Slide-In Gas Range

### Features and Benefits

- Self Clean Oven - Conveniently cleans the oven cavity without need of scrubbing
- Precise Simmer Burner - Offers a low setting of 600 BTUs, ensuring more temperature control for simmering
- High Output Burner - Provides a powerful burner output for efficient heat-up and boiling
- Electronic Oven Controls - One-touch electronic pads are easy-to-use and allow for simple oven operation
- Continuous Grates - Interlocking grates provide a flat, sturdy surface allowing easy movement of pans between burners
- Two Oven Racks - Features a durable construction to help accommodate any size or type of cookware
- Certified Sabbath Mode - Prepared foods can stay warm in accordance with kosher law
- Big ClearView™ Window - An extra large clear window makes monitoring the progress of food easy
- Frameless Glass Oven Door- Offers an easy-to-clean and stylish design that blends seamlessly into existing cabinetry
- Medium Cast Grates - Constructed from a durable cast iron material for long-lasting performance and reliability
- Model JGSP28WEKWW - White on white
- Model JGSP28CEKCC - Bisque on bisque
- Model JGSP28BEKBB - Black on black



imagination at work

Specification Revised 12/06

330228