

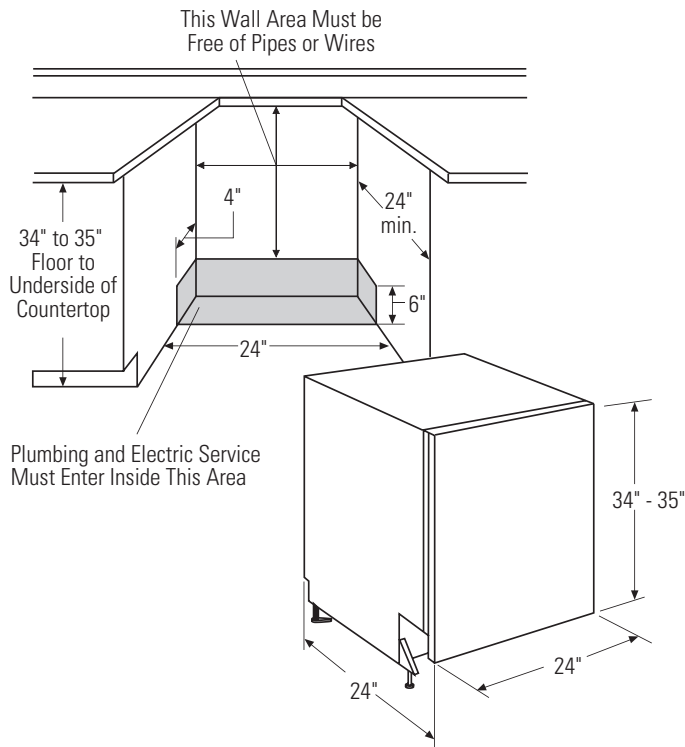


Monogram®

ZBD0710KSS/ZBD0700KII – GE Monogram Fully Integrated Built-In Dishwasher

Dimensions and Specifications (in inches)

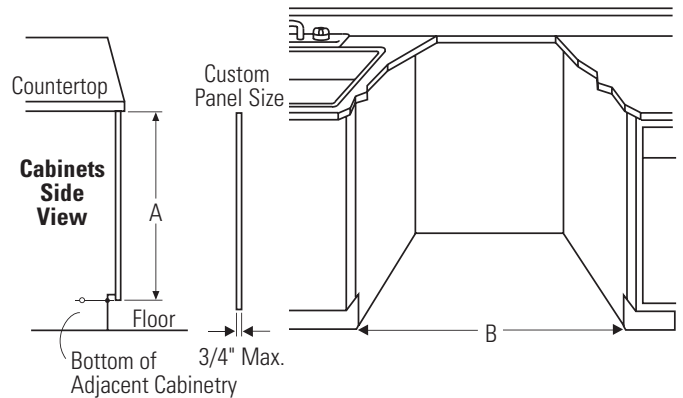
- The dishwasher must be installed so that the drain hose is no more than 10 feet in length for proper drainage.
- Water and power supply should enter in the shaded area.
- Electrical and water connections are at the right front of the dishwasher. The hot water line should extend forward 30" to 40" from the rear wall. The electrical must extend forward at least 24" to reach the junction box.
- To prevent siphoning, an air gap must be used when the waste tee or disposer connection is less than 18" above the floor.



Electrical Requirements

The dishwasher must be supplied with 120V, 60Hz, and connected to an individual properly grounded branch circuit protected by a 15- or 20-amp circuit breaker or time-delay fuse.

Custom Panel for Model ZBD700KII



STEP A: Determine custom panel height

1. Measure dimension A from underside of countertop to bottom of adjacent cabinets.
2. Subtract 1/4". This allows a 1/4" clearance gap between the underside of the countertop and the top of the dishwasher door.
Height is equal to A minus 1/4"

STEP B: Determine custom panel width

1. Measure dimension B, the rough opening width.
2. Subtract 1/4" for clearance (1/8" on each side).
Width is equal to B minus 1/4"

Note: 30-1/16" minimum panel height is required to cover the door frame. The most common panel dimensions are 30-1/4"H x 23-3/4"W. Panel height varies depending on installation. Consideration must be given to door swing clearance above the toe-kick.

Professional-Style Door Panel Kit

The ZPRO7000S Door Panel Kit provides a professional-style handle on a stainless steel door panel. Transform the ZBD0700KII to complement a commercial-style kitchen.



Listed by
Underwriters
Laboratories



As an ENERGY STAR® partner, GE has determined that this product meets the ENERGY STAR guidelines for energy efficiency.

Specification Created 9/04

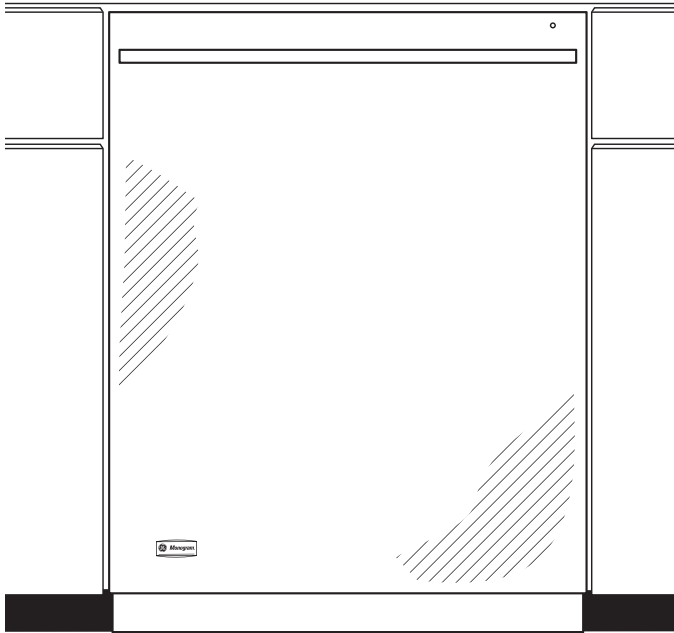
150046

For answers to your Monogram,® GE Profile™ or GE® appliance questions, visit our website at ge.com or call GE Answer Center® service, 800.626.2000.



Monogram®

ZBD0710KSS/ZBD0700KII – GE Monogram Fully Integrated Built-In Dishwasher



Features and Benefits

- Stainless steel interior
- High-intensity Xenon interior lighting
- End-of-cycle indicator light (ZBD0710KSS model only)
- Integrated Controls
- Complete cleaning coverage – 3 wash arms, 6 wash levels
- Ultraquiet operation
- Powerful, forced-air drying system
- Extra-tall tub
- Towerless adjustable rack system
- Model ZBD0710KSS – Stainless steel
- Model ZBD0700KII – Requires custom panel
- Accessory: ZPRO0700S – Professional-style stainless steel door panel kit