

Frigidaire

Factory Parts Catalog

| | | |
|---------------|---------------|---------------|
| Product No. | FAA065N7A1 | FAA065N7A2 |
| Series | MS II | MS II |
| Volts | 115 | 115 |
| BTU-Cooling | 6000 | 6000 |
| Owner's Guide | 2202039823 | 2202039823 |
| Market | North America | North America |

 **Electrolux**

ELECTROLUX HOME PRODUCTS, INC.
P.O. Box 212378, Augusta, GA 30917

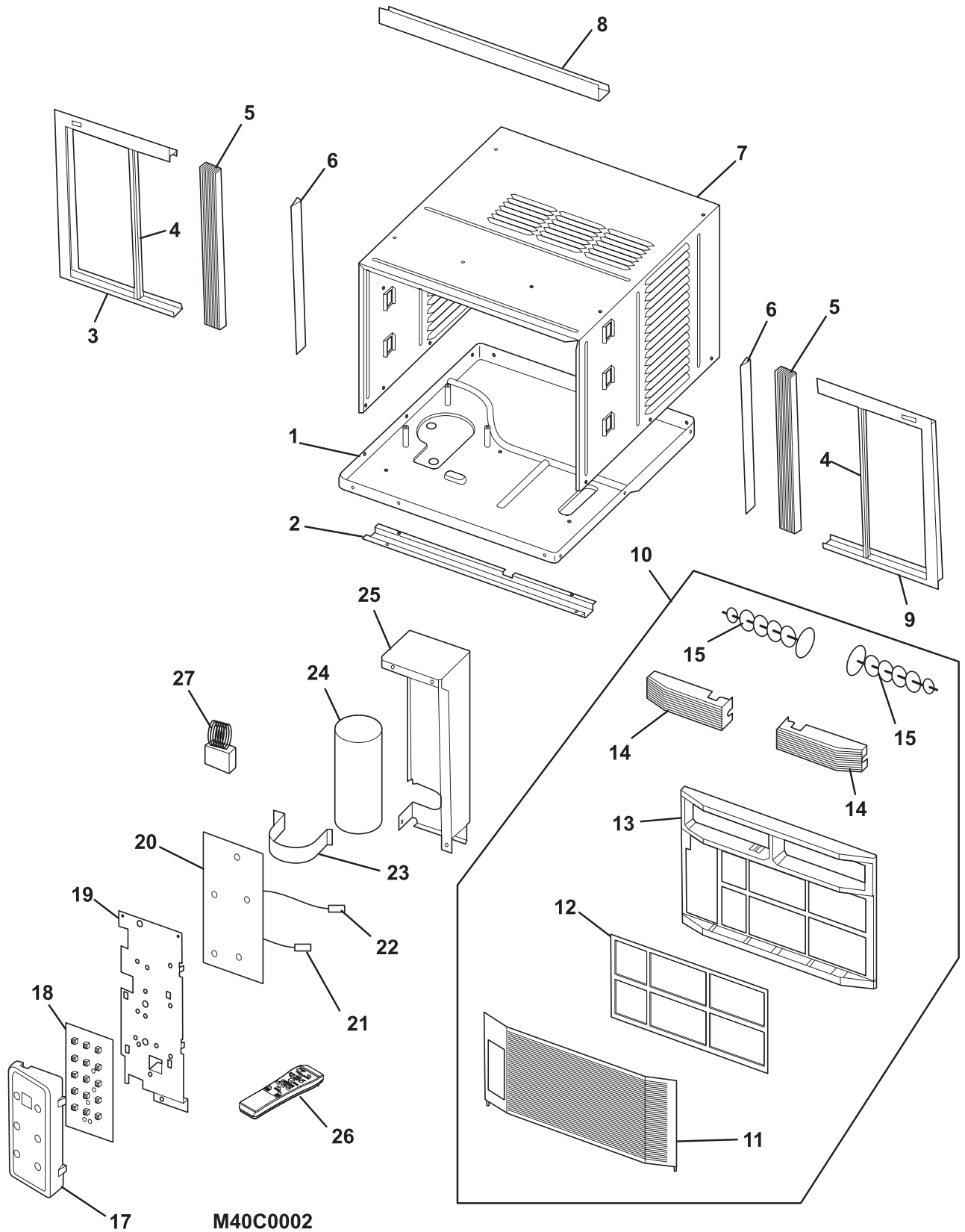
Publication No.
5995405908
04/03/29
(EN/SERVICE/KC)
099

**ROOM AIR
CONDITIONER**

Model No.
FAA065N7A

Copyright © 2004 Electrolux Home Products, Inc.
All rights reserved.

CABINET, FRONT, CONTROLS

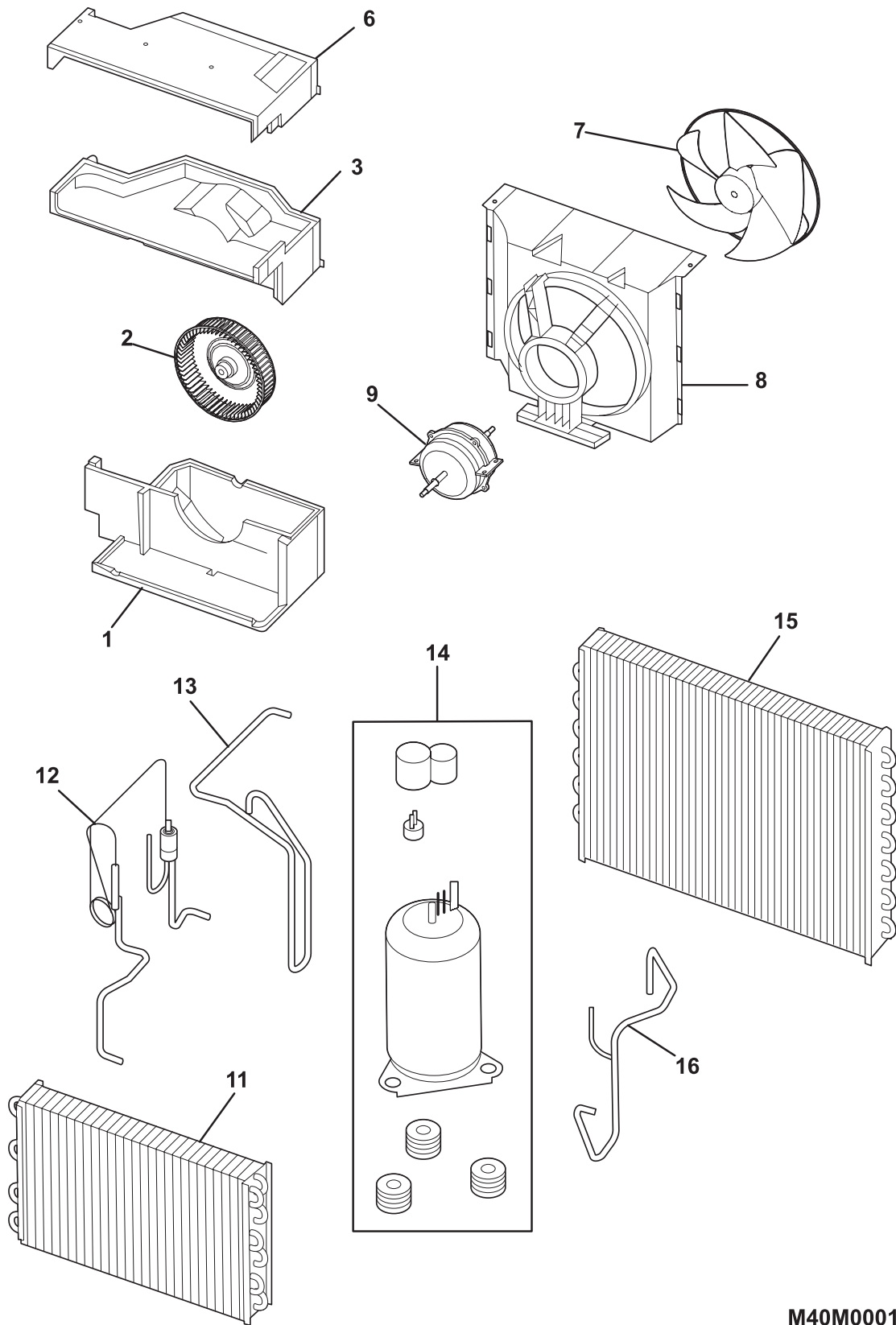


CABINET, FRONT, CONTROLS

Model Index: A FAA065N7A (FAA065N7A1)
 B FAA065N7A (FAA065N7A2)

| POS. NO | PART NO. | | DESCRIPTION |
|---------|------------|-----|--|
| 1 | 5304437072 | A - | Base, unit chassis |
| 1 | 5304437067 | - B | Base, unit chassis |
| 2 | 5304437068 | A B | Rail, shutter track, bottom |
| 3 | 5304437055 | A B | Frame, shutter panel, LH |
| 4 | 5304437052 | A B | Retainer, shutter lock |
| 5 | 5304437053 | A B | Shutter, accordian panel |
| 6 | 5304437057 | A B | Retainer, shutter mount, cabinet sides |
| 7 | 5304437071 | A B | Cabinet, wrapper/sleeve |
| 8 | 5304437069 | A B | Rail, shutter track, top |
| 9 | 5304437054 | A B | Frame, shutter panel, RH |
| 10 | 5304437063 | A B | Front Assembly, complete panel, includes |
| 11 | 5304437059 | A B | Panel, front grille, tilt-out |
| 12 | 5304437062 | A B | Filter, air, plastic frame |
| 13 | 5304437058 | A B | Frame, front assembly |
| 14 | 5304437061 | A B | Louver, horizontal |
| 15 | 5304437060 | A B | Louver, vertical |
| 17 | 5304436536 | A B | Enclosure, control, pcb display |
| 17 | 5304436541 | A - | Control Panel, display, electronic |
| 17 | 5304437102 | - B | Control Panel, display, electronic |
| 18 # | 5304437074 | A B | PC Board, display/input |
| 19 | 5304437066 | A B | Panel, ctrl mtg board |
| 20 # | 5304436532 | A B | PC Board, control/power |
| 21 # | 5304436543 | A B | Sensor, ambient temp |
| 22 # | 5304436542 | A B | Sensor, evap temp, defrost |
| 23 | 5304436530 | A B | Strap, capacitor mtg. |
| 24 # | 5304437111 | A - | Capacitor |
| 24 # | 5304437110 | - B | Capacitor |
| 25 | 5304437070 | A B | Control Box |
| 26 # | 5304436595 | A B | Remote Control, transmitter |
| 27 # | 5304436529 | A B | Ionizer |

COOLING & AIR FLOW SYSTEMS



M40M0001

COOLING & AIR FLOW SYSTEMS

Model Index: A FAA065N7A (FAA065N7A1)
 B FAA065N7A (FAA065N7A2)

| POS. NO | PART NO. | | DESCRIPTION |
|---------|------------|-----|--|
| 1 | 5304437105 | A B | Scroll, blower housing, bottom, w/drain tray |
| 2 # | 5304437891 | A B | Blower Wheel, centrifugal fan |
| 3 | 5304437104 | A B | Scroll, blower housing, top |
| 6 | 5304437103 | A B | Cover, blower scroll, top |
| 7 # | 5304437049 | A B | Fan Blade, propeller, axial flow |
| 8 # | 5304437056 | A B | Shroud, fan housing |
| 9 # | 5304437108 | A B | Motor, fan |
| 11 # | 5304437091 | A B | Evaporator |
| 12 # | 5304437097 | A B | Capillary Tube, assy w/strainer |
| 13 # | 5304437099 | A - | Discharge Tube |
| 13 # | 5304437096 | - B | Discharge Tube |
| 14 # | 5304437079 | A - | Compressor Assy, <u>Note:</u> includes overload, wiring cover, and mounting grommets |
| 14 # | 5304437084 | - B | Compressor Assy, <u>Note:</u> includes overload, wiring cover, and mounting grommets |
| 15 # | 5304437090 | A B | Condenser |
| 16 # | 5304437098 | A - | Suction Tube |
| 16 # | 5304437095 | - B | Suction Tube |

WIRING DIAGRAM

