



Frigidaire

Factory Parts Catalog

Product No.	PLEB27S9DCA
	38257791G40S1
Series	27" single
Color	stainless
Market	North America
Wiring Diagram	318046224
Owner's Guide	318200924
Installation Instructions	318201514
Service Data Sheet	318047414
Timer Guide	318200197



ELECTROLUX HOME PRODUCTS, INC.
P.O. Box 212378, Augusta, GA 30917

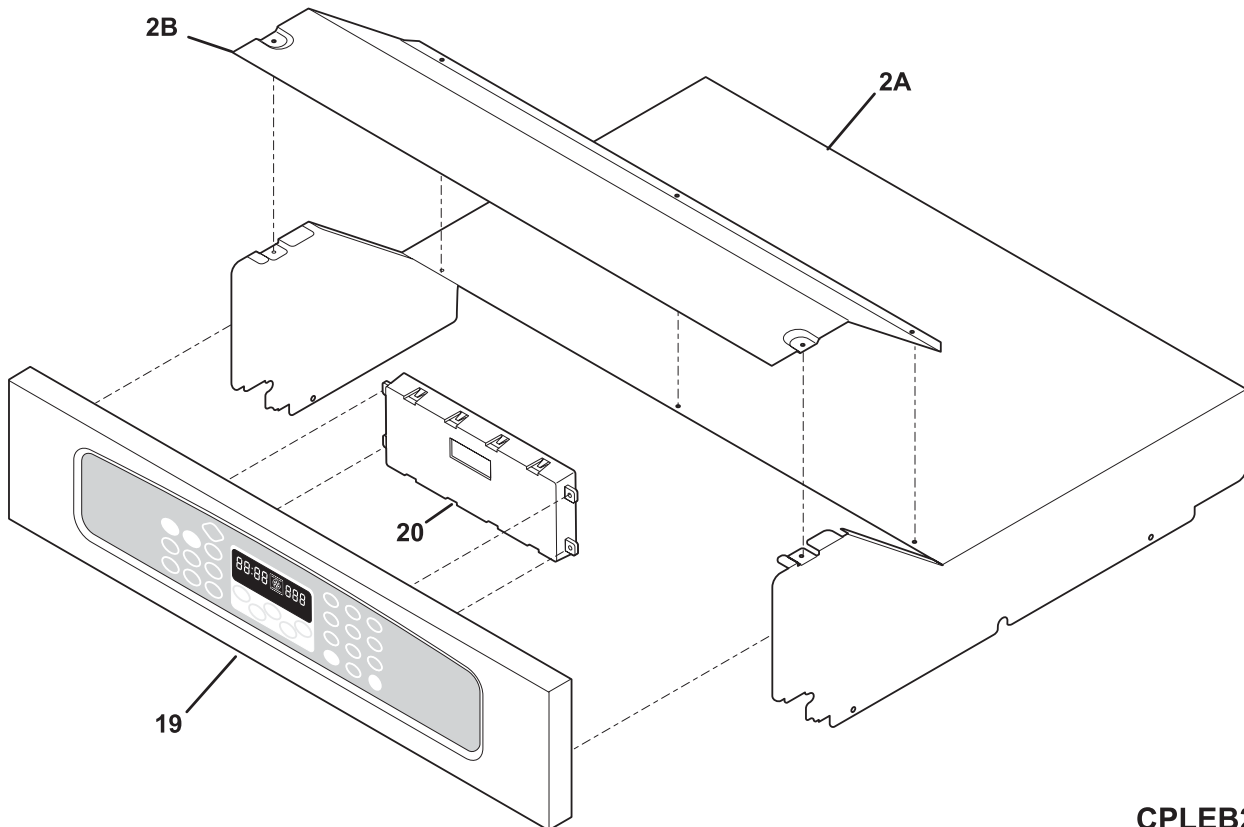
Publication No.
5995418125
04/10/07
(EN/SERVICE/ECL)
377

**SINGLE ELECTRIC
WALL OVEN**

Model No.
PLEB27S9D

Copyright © 2004 Electrolux Home Products, Inc.
All rights reserved.

CONTROL PANEL

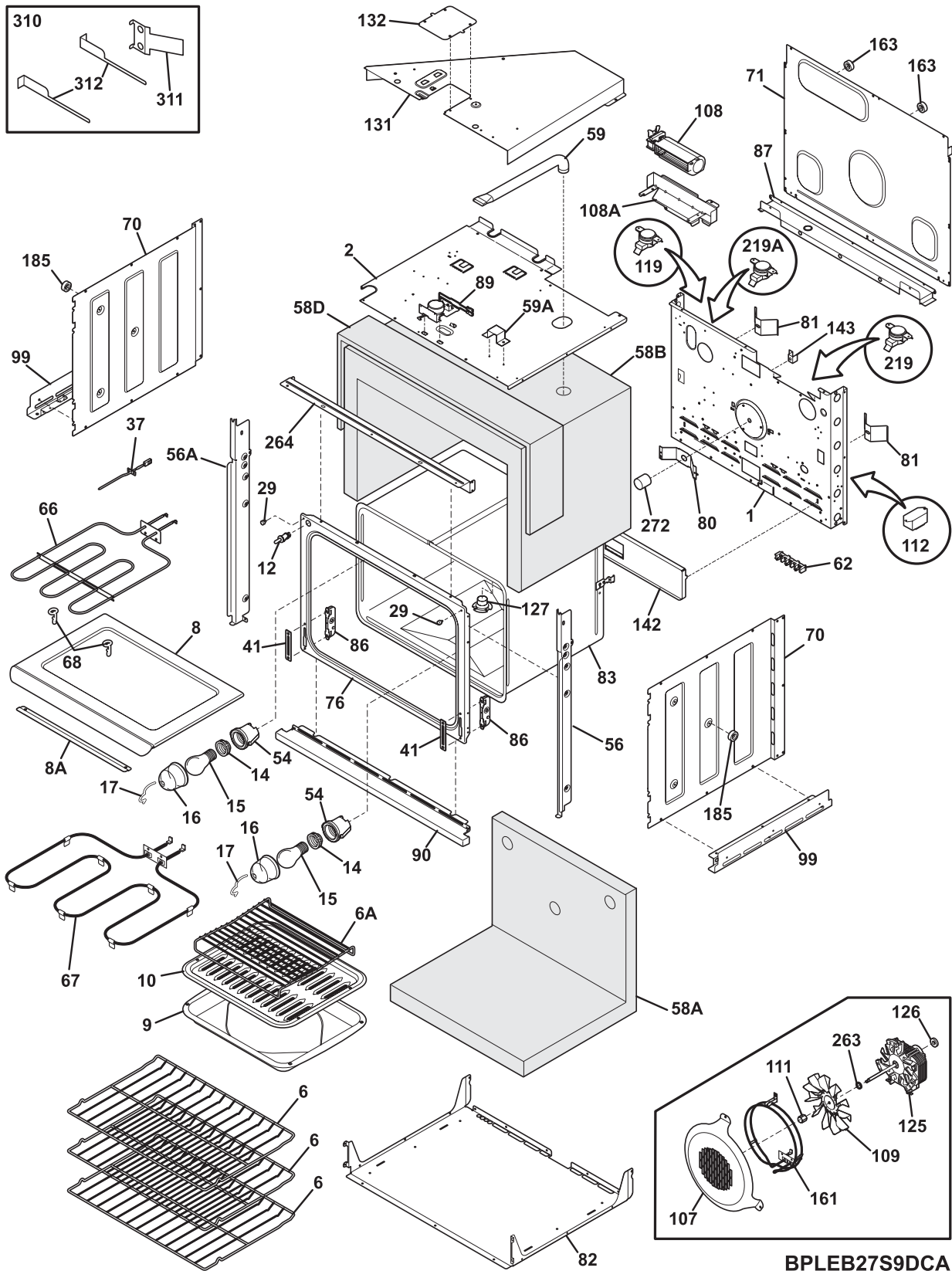


CPLEB27S9DCA

CONTROL PANEL

POS. NO	PART NO.	DESCRIPTION
2A	318257301	Shield, oven top
2B	318260102	Cover, box
19	318271501	Control Panel Assembly, steel/glass, stainless/black, w/touch pad
20 #	316418721	Clock/Timer, electronic, ES510W1
*	316021107	Screw, hex head, 8-32, silver
*	5303211311	Screw, 8 x 0.500

BODY

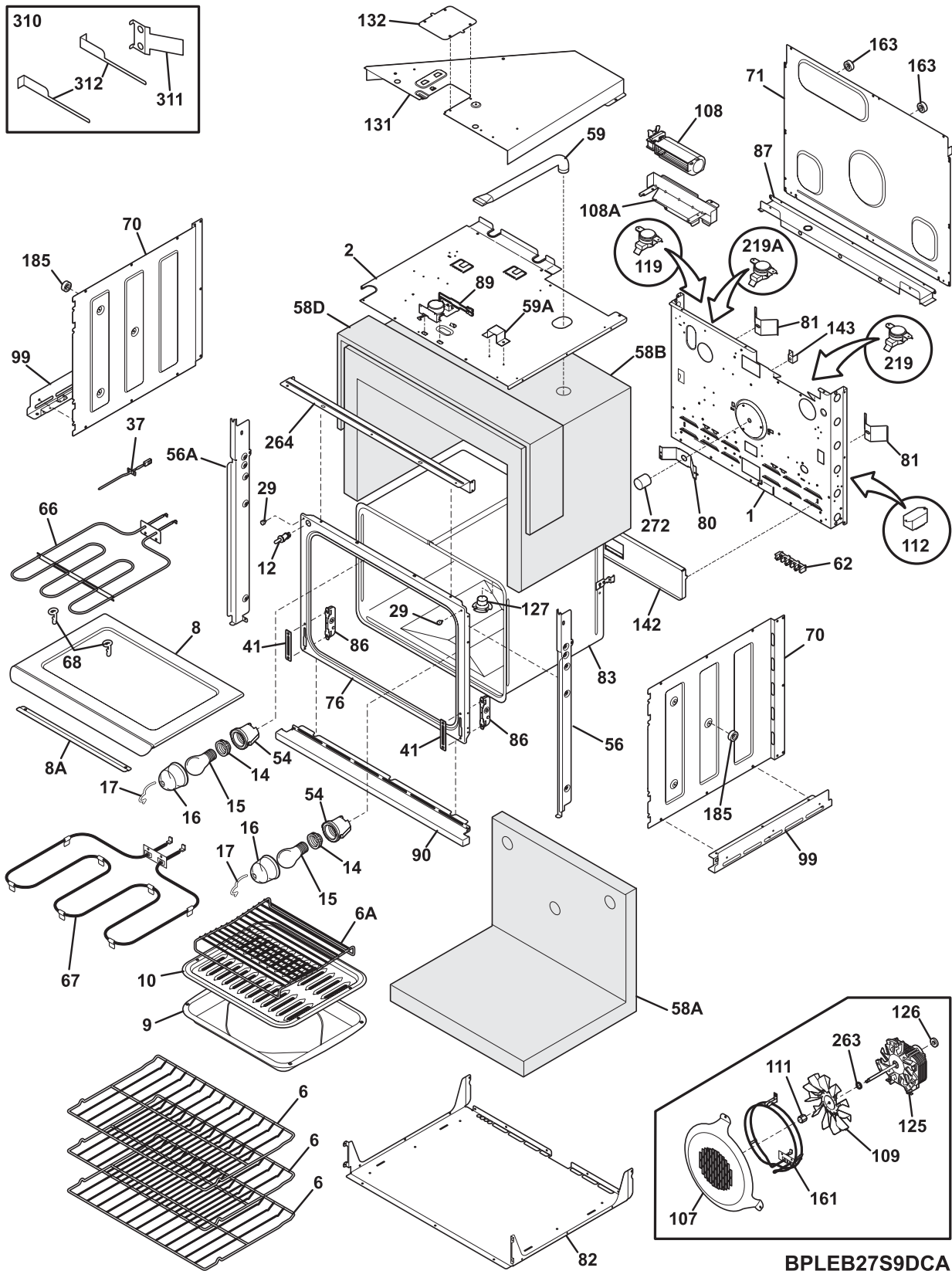


BPLEB27S9DCA

BODY

POS. NO	PART NO.	DESCRIPTION
1	318259210	Back, main
2	318258910	Shield, insulation, upper
6	318262603	Rack, oven, (3)
6A	318219500	Rack, broiler pan
8	318262011	Cover, element
8A	318285300	Bracket, element cover
9	5303317977	Pan, broiler
10	5303317976	Insert, broiler pan
12 #	318089917	Switch, light
*	3015722	Clip, wire retainer
14	318224000	Receptacle, oven light
14*	318268099	Insulation, oven light
15	5303013071	Bulb/Lamp, oven light
16	3201911	Cover, oven light, glass
17	5304400195	Retainer, light cover
29	318147411	Bumper, door, (2)
37 #	316217002	Probe, oven temp
41	5303310526	Cover, hinge cutout
54	318222400	Housing, oven light
56	318259904	Trim, side filler, black, RH
56A	318259905	Trim, side filler, black, LH
58A	318133795	Insulation, oven wrapper, back/bottom
58B	318133794	Insulation, oven wrapper, top/sides
58D	318133793	Insulation, 1/2" thick, 43 x 9.5
59	318072560	Duct, oven vent
59A	318261600	Bracket, vent tube
62	316056000	Terminal Block
62*	5303323144	Nut, 10-32
66 #	318255601	Element, broil, 3400W
67	318254902	Element, bake, 2700W, 6 pass
68	5304403015	Support, element hanger
70	318259100	Shield, insulation, sides, (2)
71	318260001	Panel, rear box
76	318056222	Front, oven
80	5303320846	Plate, oven mtg
81	318192400	Spring, oven
82	318258710	Shield, insulation, lower
83	318261500	Liner, oven assy
86	5303310524	Receptacle, hinge
87	318260601	Bracket, cable mtg.
89#	318261200	Motor, latch assy
90	318259810	Trim, base, stainless
99	318256200	Bracket, side, bottom, (2)
107	318219401	Cover, fan
108#	318073018	Motor, blower
*	08016432	Screw, truss head, 8-18 x 0.375
108A	318251300	Bracket, fan support
109	316136400	Blade, fan
111	316136600	Nut, fan retainer
112#	318112701	Relay
119#	318004900	Switch, thermal

BODY

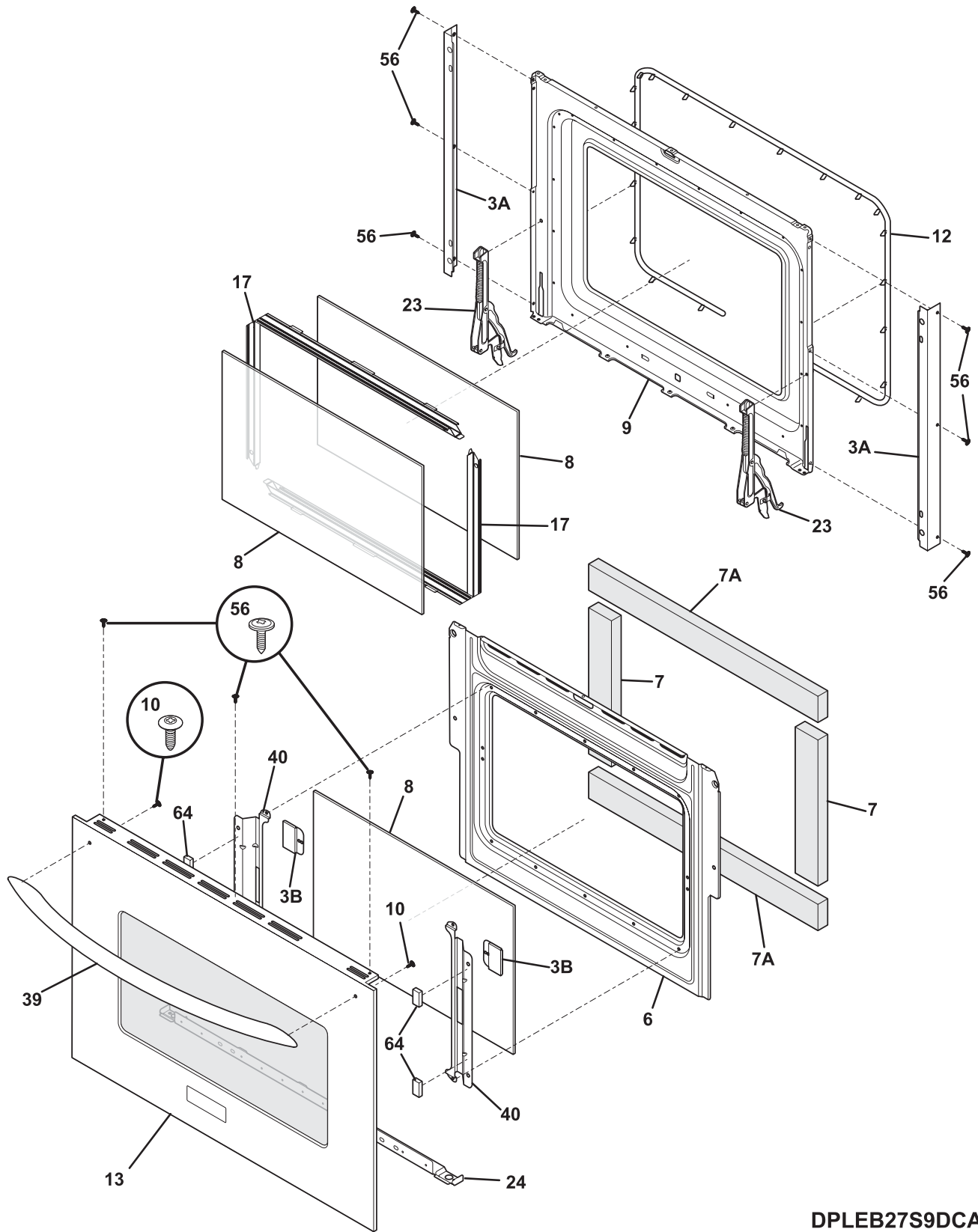


BPLEB27S9DCA

BODY

POS. NO	PART NO.	DESCRIPTION
125#	316415800	Motor, fan
126	318142100	Washer, motor, RH, convection
127	5303310542	Adapter, vent tube, with converter
131	318272900	Box, vent
132	318003000	Plate, shield
142	318123910	Deflector
*	5303324184	Screw, 8-18 x 5/16, black, (4)
143	318172904	Support, wire/glass
161#	318255503	Element, convection, 350 W
163	318014111	Spacer
185	318014700	Spacer, oven shield, (4)
219#	318003606	Thermostat, safety
219A	318003613	Thermostat, safety
263	316136500	Washer, fan motor
264	318257711	Trim, oven, black, front
272	318249401	Tube, protector
310	5304440067	Cabinet Mounting Kit
311	318246010	Bracket, cabinet mtg, (2)
311*	5304438005	Screw, 6 x 1, black
312	318246702	Tool, cabinet bracket, RH
312	318246703	Tool, cabinet bracket, LH
* #	318078542	Box & wires assy
*	318231701	Harness, wiring, main
*	3201861	Screw, 6 x 0.375, (4)
*	5303211311	Screw, 8 x 0.500
*	5303323136	Screw ground
*	5303323139	Screw, 10-24 x 0.906
*	5303323277	Screw (8-18X13/32)
*	5304436875	Screw, 8-18 X 1/2, black

DOOR

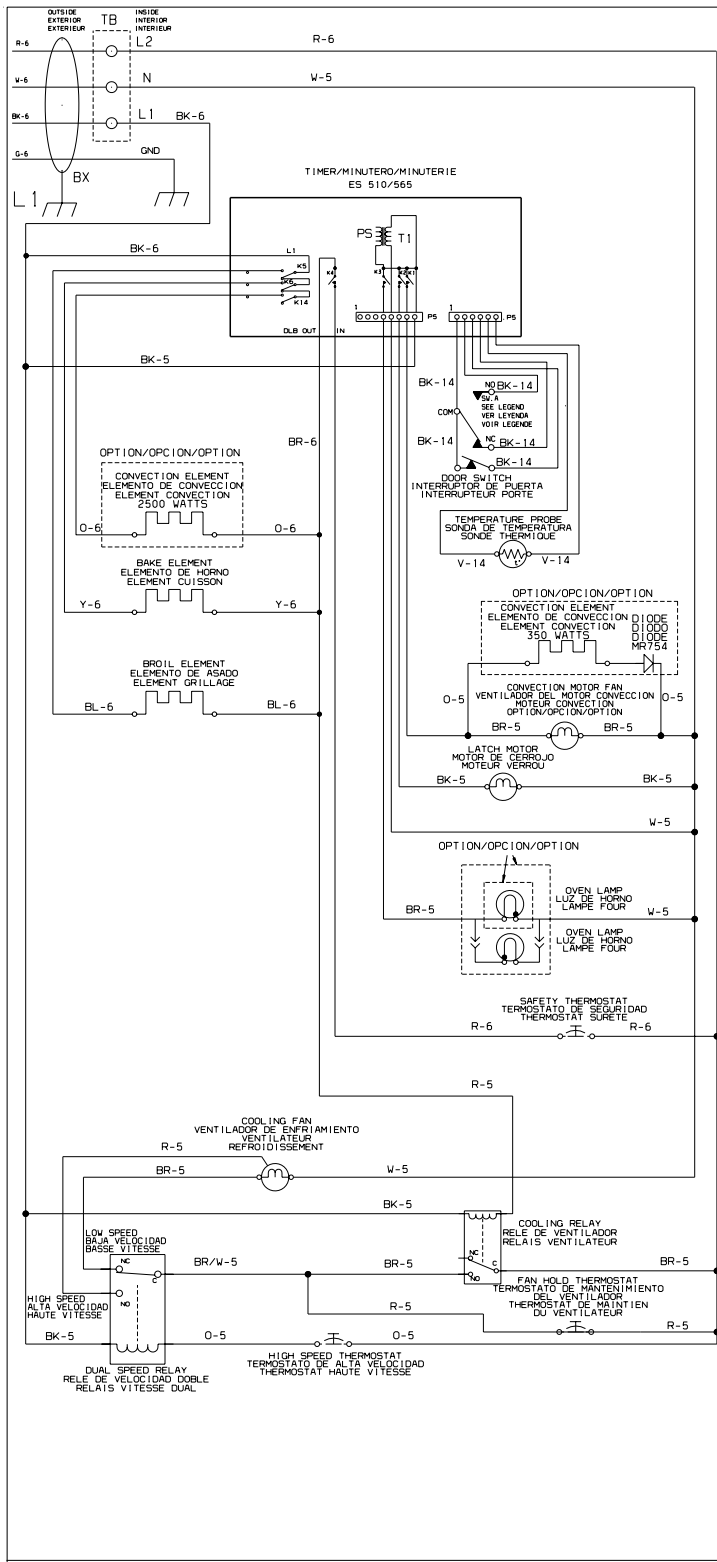


DPLEB27S9DCA

DOOR

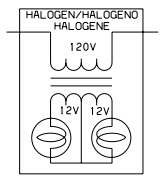
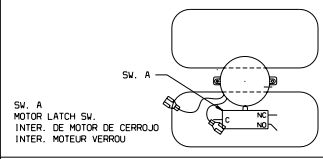
POS. NO	PART NO.	DESCRIPTION
3A	318260401	Trim, oven door, side, (2)
3B	318262101	Cover, rear door, black, (2)
6	318260510	Baffle, door
7	318133792	Insulation, oven door
7A	318133796	Insulation, oven door, cavity
8	318212200	Glass, oven door, heat barrier
9	318259615	Liner, upper door
10	5303311174	Screw, 10-24 x 3/8
12	318053125	Seal, upper door
13	318272102	Door Assy, stainless steel, outer, w/tape & foil
17	318264700	Spacer, glass, (2)
23	318024720	Hinge, oven door
24	318260311	Trim, door, black, lower
39	318219801	Handle, door/drawer, stainless
40	318242700	Bracket, glass holder, (2)
56	5304436875	Screw, 8-18 X 1/2, black
64	318165800	Spacer, (4)
*	318163602	Cleaner, stainless steel
*	08016432	Screw, truss head, 8-18 x 0.375
*	5303211311	Screw, 8 x 0.500
*	5303300265	Screw, 8-18 x 0.500, chrome, (3)
*	5303323277	Screw (8-18X13/32)

WIRING DIAGRAM



COLORS / COLOR / COULEURS
 BK- BLACK/NEGRO/NOIR
 W- WHITE/BLANCO/BLANC
 O- ORANGE/MARANJA/GRANGE
 BR-BROWN/MORENO/BRUN
 PK-PINK/ROSA/ROSE
 V- VIOLET/VIOLETA/VIOLET
 G- GREEN/VERDE/VERT
 R- RED/ROJO/ROUGE
 Y- YELLOW/AMARILLO/JAUNE
 BL- BLUE/AZUL/BLEU
 BR/W-BROWN/WHITE // MORENO/BLANCO // BRUN/BLANC
 BL/W-BLUE/WHITE //AZUL/BLANCO // BLEU/BLANC

CODE/CODIGO/CODE	GAUGE/MED. CALIBRE	TEMP. °C	CSA	STYLE	UL
1	18	125	CL 1251	3173	
2	16	125	CL 1251	3173	
3	14	125	CL 1251	3173	
4	12	125	CL 1251	3173	
5	18	150	EXL-150	3321	
6	16	150	EXL-150	3321	
7	14	150	EXL-150	3321	
8	12	150	EXL-150	3321	
9	10	150	EXL-150	3321	
10	18	200	SEW-1	3122	
11	16	200	SEW-1	3122	
12	12	250		3252	
13	16	250		3252	
14	20	150	EXL-150	3321	
15	8	150	EXL-150	3321	
16	8	60			
17	10	60			



CAUTION: DISCONNECT POWER BEFORE SERVICING UNIT.
ATENCION: CORTAR EL CORRIENTE ANTES DE REALIZAR EL MANTENIMIENTO DEL ELECTRODOMESTICO.
ATTENTION: COUPEZ L'ALIMENTATION AVANT D'EFFECTUER LA REPARATION.

318046224 REV:A