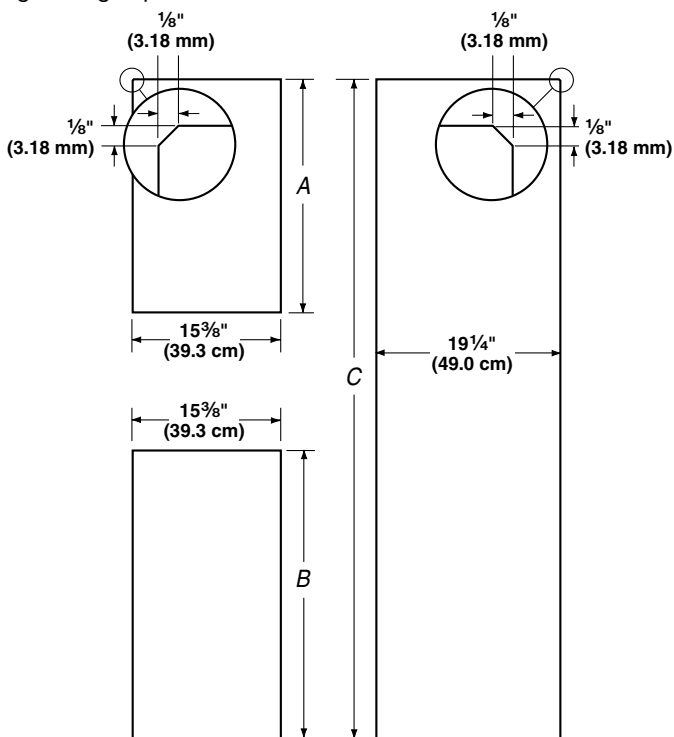


Raised panels:

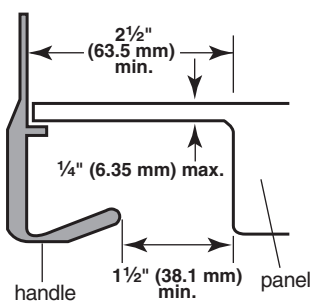
A raised panel design can be created by screwing or gluing wood panels to $\frac{1}{4}$ " (6.35 mm) backing or by using $\frac{3}{4}$ " (19.05 mm) stock with routed edges. Raised panels should be spaced $2\frac{1}{4}$ " (5.70 cm) from the back edge of the handle to allow room for fingers to grasp the handle.



Model	A	B	C
23	21 $\frac{1}{8}$ " (53.7 cm)	29 $\frac{1}{4}$ " (74.4 cm)	64 $\frac{7}{8}$ " (164.9 cm)
25	20 $\frac{3}{4}$ " (52.7 cm)	32 $\frac{1}{2}$ " (82.7 cm)	67 $\frac{3}{4}$ " (172.2 cm)

Routing Dimensions for Custom Panels more than $\frac{1}{4}$ " (6 mm) thick

Handle side detail



Top, bottom and side trim detail

