



# Laundry

## Leading the way in laundry.

How do you do laundry? Is it a daily ritual or a once-a-week chore? After decades of solving the most common laundry problems, we're certain we have the laundry pair to make short work of your laundry day — from heavy-duty machines loaded with time-saving features to high-efficiency models that save you money on energy and water.



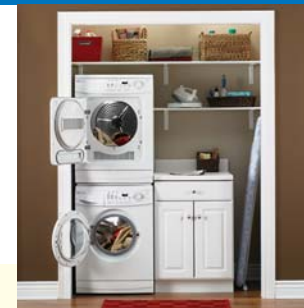
### WHICH MODEL IS RIGHT FOR YOUR LAUNDRY ROOM?

Answer these questions to help determine which models and features you need to solve your everyday challenges.

1. How many loads of laundry do you do each week?
2. Do you wash extra-dirty items two or three times to make sure they really get clean?
3. Do you flat-dry or hang-dry special items to make sure they won't shrink?
4. Would you prefer the versatility of a washer/dryer pair that can be configured side-by-side or as a stack?
5. How often do you hand-wash delicate items?
6. Do you know the secret to treating different types of stains?

# Maytag® Compact Front-Load Laundry

Compact In Size — Not Capacity.



## STANDARD FEATURES YOU DEPEND ON FROM MAYTAG

### WASHER FEATURES

- TurboClean Wash System
- Large Capacity (2.4 Cu. Ft.)
- Easy-To-Use Electronic Touch-Pad Controls
- 22 Cycles
- Wrinkle Control, Delicates, Hand Washables And Quick Cycles
- Extra Rinse, Rinse Only And Rinse & Spin Options
- 1,200-rpm Spin Speed
- 5 Water Temperature Combinations
- Automatic Temperature Control
- IntelliFill™ Water Level Control

- Automatic Detergent, Bleach And Fabric Softener Dispenser
- Up To 19-Hour Delay Wash

### DRYER FEATURES

- GentleBreeze™ Drying System
- Large Capacity
- AutoDry Dryness Control
- Wrinkle Release And Air Fluff Cycles; Wrinkle Prevent And Cool Down
- Sensor Dry, Damp Dry And Time Dry Cycles

- Reversible Door
- Stacking Kit Available (MAL2424AXX)

### BUILT-TO-LAST™ FEATURE

- Lifetime Stainless Steel Wash Basket
- Stainless Steel Dryer Drum

### Flexible Under-Counter Or Stacked Installation

Measuring just 23½" wide, 24" deep and 33¼" high\*, the new Maytag® compact front-load washer and dryer fit in tight spaces to take up even less of your precious floor space.

\*With ⅞" adjustable leveling legs. Actual dryer depth: 23¾". Control panel adds 2" to washer depth.

### Compact In Size — Not Capacity

They save space on the outside, but inside, the compact front-load washer and dryer can easily handle your everyday-sized loads — they each hold up to 16 bath towels.

### High Efficiency

High-efficiency wash system lowers utility bills by using less water and energy. Fast spin speeds reduce drying time and energy costs.

### Powerful Cleaning Without An Agitator

TurboClean wash system gently tumbles clothes through a pool of detergent and water while waterfall baffles scoop water and shower it onto laundry for outstanding cleaning.



STAINLESS WASH BASKET

**MAH2400 HIGH-EFFICIENCY WASHER**

Color: White



STAINLESS DRYER DRUM

**MDE2400 DRYER**

Color: White

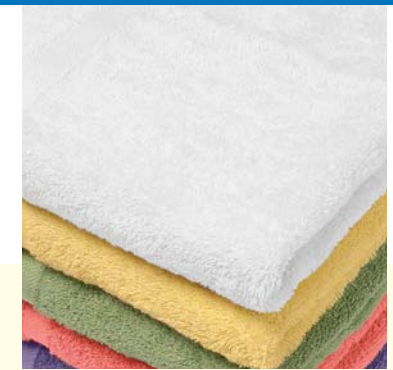


### Flexible Configuration



# Maytag® Atlantis® Laundry

Outstanding Cleaning You Can Depend On For Years.



## STANDARD FEATURES YOU DEPEND ON FROM MAYTAG

### WASHER FEATURES

- HydroClean™ Wash Action
- Super Capacity (3.2 Cu. Ft.)
- Exclusive TurboRinse™ System
- Regular/Whites, Permanent Press, Delicates And Handwash Cycles
- Extra Rinse Option
- Automatic Fabric Softener Dispenser
- Bleach Dispenser
- Exclusive Easy-Access Sloped Front With Extra-Large Lid

### DRYER FEATURES

- GentleBreeze™ Drying System
- Oversize Capacity
- Adjustable Degree Of Dryness
- Permanent Press Cycle
- Wrinkle Release
- Time Dry, Air Fluff And Damp Dry Cycles
- Delicate Temperature Setting
- Exclusive Easy-Access Sloped Front With Extra-Large Reversible Door

### BUILT-TO-LAST™ FEATURES

- Heavy-Duty Lifetime Tub™ Warranty
- Premium Porcelain-Enamel Top And Lid
- DuraCushion™ Dryer Drum
- Heat-Resistant Air Seals

### HydroClean™ Wash System With Exclusive TurboRinse™ System

Unique wash action features a specially designed agitator and three-way residue removal TurboRinse™ system for outstanding cleaning.

### Commercial-Quality Stainless Steel Tub

Resists corrosion, stains and harsh chemicals and offers a Lifetime Tub™ Warranty — no one has a stronger warranty. (select models)

### Super Capacity

3.2 cu. ft. capacity allows you to wash more clothes in a single load — including bulky towels — to save time.



### MAV9750 WASHER

#### Standard Features Plus:

- 301 Premium-Grade Stainless Steel Washtub
- HydroFlex™ Plus Agitator
- CorrecTemp™ Control Option
- Infinite Water Levels
- 7 Temperature Combinations
- Prewash And Presoak Options
- Soak Only, Quick Wash, Cottons/Colors And Sweaters Cycles
- Extended Spin Option
- Spot-Treat With Finger Faucet
- Quiet Plus II Sound Package

Colors: White, Bisque



### MAV8551 WASHER

#### Standard Features Plus:

- 301 Premium-Grade Stainless Steel Washtub
- HydroFlex™ Plus Agitator
- CorrecTemp™ Control Option
- Infinite Water Levels
- 7 Temperature Combinations
- Prewash Option
- Soak Only, Quick Wash And Cottons/Colors Cycles
- Quiet Plus II Sound Package

Colors: White, Bisque

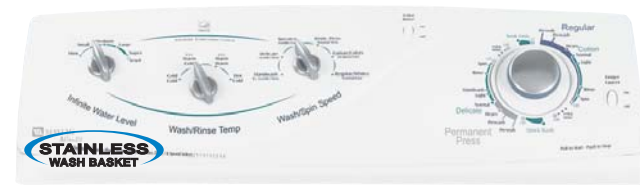


### SAVE \$70 PER YEAR\* MAV7504E WASHER

#### Standard Features Plus:

- HydroFlex™ Plus Agitator
- CorrecTemp™ Control
- 5 Water Levels
- 4 Temperature Combinations
- Prewash And Presoak Options
- Soak Only, Quick Wash And Cottons/Colors Cycles
- Quiet Plus II Sound Package

Color: White



### SAVE \$70 PER YEAR\* MAV9504E WASHER

#### Standard Features Plus:

- 301 Premium-Grade Stainless Steel Washtub
- HydroFlex™ Plus Agitator
- CorrecTemp™ Control
- Infinite Water Levels
- 4 Temperature Combinations
- Prewash And Presoak Options
- Soak Only, Quick Wash, Cottons/Colors And Sweaters Cycles
- Spot-Treat With Finger Faucet
- Quiet Plus III Sound Package

Colors: White, Bisque



### MAV7551 WASHER

#### Standard Features Plus:

- HydroFlex™ Plus Agitator
- CorrecTemp™ Control
- 5 Water Levels
- 5 Temperature Combinations
- Prewash Option
- Soak Only, Quick Wash And Cottons/Colors Cycles
- Quiet Plus Sound Package

Color: White, Bisque



### MAV6451 WASHER

#### Standard Features Plus:

- HydroFlex™ Agitator
- 4 Water Levels
- 4 Temperature Combinations
- Quiet Pack Sound Package

Colors: White, Bisque



### MDE/G8400 DRYER

#### Standard Features Plus:

- IntelliDry® Dryness Control With Sensor
- Infinite Temperature Settings
- Extended Tumble
- Dryer® Cycle
- Easy-Storage Drying Rack
- Ultra Care Temperature Setting
- Quiet Plus Sound Package

Colors: White, Bisque

Dryer® is a registered trademark of Procter & Gamble.



### MDE/G7400 DRYER

#### Standard Features Plus:

- IntelliDry® Dryness Control With Sensor
- 4 Temperature Settings
- Quiet Pack Sound Package

Colors: White, Bisque



### MDE/G6400 DRYER

#### Standard Features Plus:

- Automatic Dryness Control
- 4 Temperature Settings
- Quiet Pack Sound Package

Colors: White, Bisque



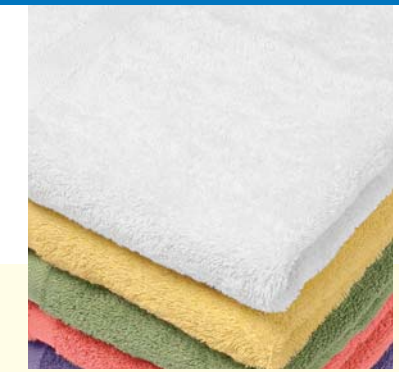
All products on pages 14 and 15 have been granted the Good Housekeeping seal.

For additional feature information, see specification charts on pages 22 and 23.

\* Compared to an average conventional washer. Based on D.O.E. test method with average conventional washer, 10 loads per week, average water and sewer rates and 2000 electrical energy rate. Savings will vary depending on utility rates, model replaced and usage.

# Maytag® Laundry

Outstanding Cleaning You Can Depend On For Years.



## STANDARD FEATURES YOU DEPEND ON FROM MAYTAG

### WASHER FEATURES

- DependableClean™ Wash System
- Super Capacity (3.3 Cu. Ft.)
- Regular, Wrinkle-Free Fabrics And Delicates Cycles
- Extended Spin
- Bleach And Fabric Softener Dispensers
- Extra-Large Lid Opening
- SturdySpin™ Suspension System

### DRYER FEATURES

- GentleBreeze™ Drying System
- Oversize Capacity Plus
- Time Dry, Wrinkle-Free Fabrics And Air Fluff Cycles
- Delicate Temperature Setting
- Extra-Large Reversible Door

### BUILT-TO-LAST™ FEATURES

- Heavy-Duty Lifetime Tub™ Warranty
- Powder-Coat Finish On Top And Lid
- DuraCushion™ Dryer Drum

### Built To Last For Years

Depend on commercial-quality parts and features to keep your Maytag® washer and dryer working for years.

† Ask for details.

### DependableClean™ Wash System

Special agitator and four-part wash system washes away dirt and removes residue.

### Super Capacity

3.3 cu. ft. capacity allows you to wash more clothes in a single load to save time.



### SAV465E WASHER

#### Standard Features Plus:

- FlexCare™ Agitator
- Infinite Water Level Control
- 4 Temperature Combinations
- 25 Cycles
- Automatic Temperature Control
- Handwash, Prewash And Soak Only Cycles
- Extra Rinse Option
- 710-rpm Spin Speed
- Finger Faucet
- Quiet Plus Sound Package

Colors: White, Bisque

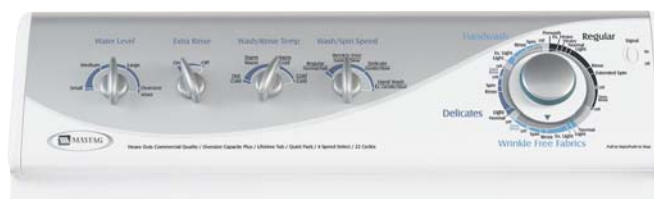


### SAV265S WASHER

#### Standard Features Plus:

- FlexCare™ Agitator
- 4 Water Levels
- 4 Temperature Combinations
- 13 Cycles
- Handwash Cycle
- Extra Rinse Option
- Quiet Pack Sound Package

Color: White



### SAV365S WASHER

#### Standard Features Plus:

- FlexCare™ Agitator
- 4 Water Levels
- 4 Temperature Combinations
- 4 Wash/Spin Speed Combinations
- 22 Cycles
- Handwash And Prewash Cycles
- Extra Rinse Option
- Quiet Pack Sound Package

Color: White



### SAV255S WASHER

#### Standard Features Plus:

- FlexCare™ Agitator
- 4 Water Levels
- 4 Temperature Combinations
- 10 Cycles
- Quiet Pack Sound Package

Color: White



### SDE/G4606 DRYER

#### Standard Features Plus:

- IntelliDry® Dryness Control
- Moisture Sensor
- Variable Temperature Settings
- Ultra Care Temperature Setting
- 12 Cycles
- Damp Dry Cycle
- Wrinkle Release
- Extended Tumble Option
- Quiet Plus Sound Package

Color: White



### SDE/G2606 DRYER

#### Standard Features Plus:

- Automatic Dryness Control
- 3 Temperature Settings
- 7 Cycles

Color: White



### SDE/G3606 DRYER

#### Standard Features Plus:

- Automatic Dryness Control
- 4 Temperature Settings
- 12 Cycles
- Damp Dry Cycle
- Wrinkle Release
- Extended Tumble Option
- Quiet Plus Sound Package

Colors: White, Bisque

### ALSO AVAILABLE LSE/G7806 MAYTAG® STACKED WASHER AND DRYER

A full-size washer and dryer pair in half the floor space.

#### Features:

- DependableClean™ Wash System
- Bleach And Fabric Softener Dispensers
- GentleBreeze™ Drying System

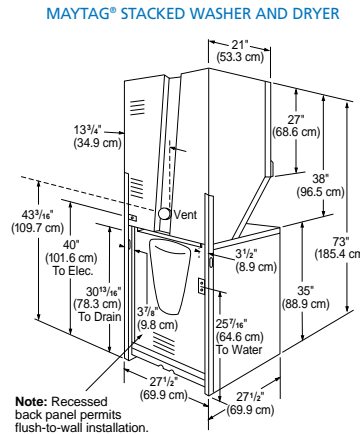
Colors: White, Bisque



All products on pages 16 and 17 have been granted the Good Housekeeping seal.

For additional feature information, see specification charts on pages 22 and 23.

Models	Maytag® Atlantis® Washers							Maytag® Washers				Maytag® Stacked Washer
	MAH2400	MAV9750	MAV9504E	MAV8551	MAV7551	MAV7504E	MAV6451	SAV4655E	SAV3655	SAV2655	SAV2555	LSE/G7806
<b>FEATURES</b>												
ENERGY STAR®-Qualified	★		★			★		★				
Capacity — cu. ft.	2.4	3.2	3.2	3.2	3.2	3.2	3.2	3.3	3.3	3.3	3.3	2.5
Controls	LED	Rotary	Rotary	Rotary	Rotary	Rotary	Rotary	Rotary	Rotary	Rotary	Rotary	Rotary
Wastub	Stainless Steel	Stainless Steel	Stainless Steel	Stainless Steel	Polymer	Polymer	Polymer	Polymer	Polymer	Polymer	Polymer	Porcelain
HydroFlex™ Agitator		Plus	Plus	Plus	Plus	Plus						
FlexCare™ Agitator												
Motor Speed	Universal	Two-Speed	Two-Speed	Two-Speed	Two-Speed	Two-Speed	Two-Speed	Two-Speed	Two-Speed	Two-Speed	Two-Speed	One-Speed
Speed Combinations	4	6	6	5	5	5	4	4	4	3	3	
TurboClean Wash System	■											
HydroClean™ Wash System		■	■	■	■	■	■	■	■	■	■	■
DependableClean™ Wash System												■
TurboRinse™ System		■	■	■	■	■	■	■	■	■	■	■
PureClean™ Rinse System												
Extended Spin		■	■	■	■	■	■	■	■	■	■	■
Water Level Control	IntelliFill™	Infinite	Infinite	Infinite	5	5	4	Infinite	4	4	4	3
Water Temp. Combinations	5	7	4	7	5	4	4	4	4	4	4	3
Automatic Temp. Control/CorrecTemp™ Control	■	■	■	■	■	■	■	■	■	■	■	■
Warm Rinse Option	■	■	■	■	■	■	■	■	■	■	■	■
Extra Rinse Option	■	■	■	■	■	■	■	■	■	■	■	■
Delay Wash Option	19-Hour											
Delicates Cycle	■	■	■	■	■	■	■	■	■	■	■	■
Handwash Cycle	■	■	■	■	■	■	■	■	■	■	■	■
Presoak/Pretreat Cycle	■	■	■	■	■	■	■	■	■	■	■	■
Prewash Cycle	■	■	■	■	■	■	■	■	■	■	■	■
Soak Only Cycle	■	■	■	■	■	■	■	■	■	■	■	■
Permanent Press/Wrinkle-Free Cycle	■	■	■	■	■	■	■	■	■	■	■	■
Colors Cycle	■	■	■	■	■	■	■	■	■	■	■	■
Cottons/Colors Cycle	■	■	■	■	■	■	■	■	■	■	■	■
Sweaters Cycle	■	■	■	■	■	■	■	■	■	■	■	■
Quiet Cycle Select	■	■	■	■	■	■	■	■	■	■	■	■
Spot-Treat With Finger Faucet	■	■	■	■	■	■	■	■	■	■	■	■
Bleach Dispenser	■	■	■	■	■	■	■	■	■	■	■	■
Fabric Softener Dispenser	■	■	■	■	■	■	■	■	■	■	■	■
Detergent Dispenser	■	■	■	■	■	■	■	■	■	■	■	■
End-Of-Cycle Signal	Chime	Remind						On/Off	On/Off			
Quick Setting/Quick Wash	■	■	■	■	■	■	■	■	■	■	■	■
Easy Access	■	■	■	■	■	■	■	■	■	■	■	■
Sound Package		Quiet Plus II	Quiet Plus III	Quiet Plus II	Quiet Plus	Quiet Plus II	Quiet Pack	Quiet Plus	Quiet Pack	Quiet Pack	Quiet Pack	Quiet Pack
Self-Cleaning Lint Removal	System	System	System	System	System	System	System	Filter	Filter	Filter	Filter	Filter
Six-Point Suspension System	■	■	■	■	■	■	■	■	■	■	■	■
SturdySpin™ Suspension System	■	■	■	■	■	■	■	■	■	■	■	■
Rear Self-Levelers	■	■	■	■	■	■	■	■	■	■	■	■
Color Availability:												
White	■	■	■	■	■	■	■	■	■	■	■	■
Bisque	■	■	■	■	■	■	■	■	■	■	■	■



**MAYTAG® SUPER STACK™ WASHER**

MOTOR: 1/2 HP rated, reversible; thermoprotected against overload; automatic reset.

ELECTRICAL REQUIREMENT: 120-volt, 60 Hz (supplied through dryer cord).

FUSE REQUIREMENTS: 15-amp.

WATER PRESSURE: 20 – 120 p.s.i. (138 – 827 KPa).

REQUIRED HOT WATER TEMPS: 120°F to 140°F.

HOSE LENGTHS: Inlet Hose: 5 feet (1.5 m). Drain Hose: 4 feet (1.2 m).

**MAYTAG® SUPER STACK™ DRYER**

MOTOR: 1/2 HP rated, 120-volt, 60 Hz, thermoprotected against overload; automatic reset.

AIRFLOW: 180 cubic feet (5.1 cu. m) per minute.

EXHAUST: 4 in. (10.2 cm) duct permits a max. of 54 ft. (16.5 m) rigid aluminum ductwork. Never use plastic, nonmetal or combustible duct.

HEATING ELEMENT (LSE Model): Nichrome helix coil.

ELECTRICAL RATING (LSE Model): 240-volt, AC, 60 Hz, draws approximately 4,600 watts overall.

FUSE REQUIREMENTS: LSE Model: 30-amp LSG Model: 15-amp.

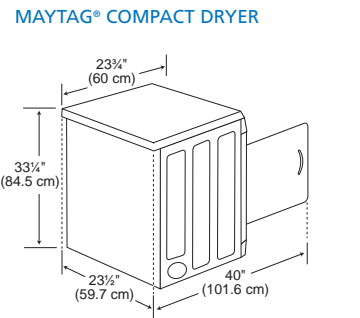
SINGLE-PORT BURNER (LSG Model): Electric ignition; automatic shut-off.

GAS RATING (LSG Model): 18,000 BTU/hr. for the drying chamber.

AUTOMATIC PRESSURE REGULATOR (LSG Model): Self-adjusting valve automatically compensates for variations in gas pressure.

LEVELING LEGS: Adjustable, to level unit for proper installation.

WEIGHTS (Crated/Uncrated): 370 lbs. (167.8 kg)/340 lbs. (154.2 kg).



**MAYTAG® COMPACT DRYER**

HEIGHT — IN. (CM): 33 1/2 (84.5)

WIDTH — IN. (CM): 23 1/2 (59.7)

DEPTH — IN. (CM): 23 1/2 (60)

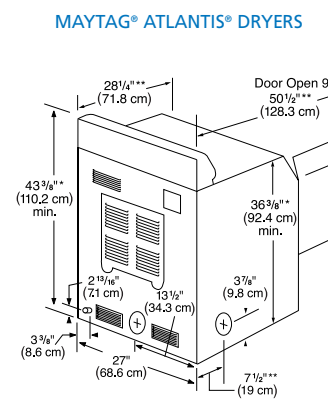
DEPTH (WITH DOOR OPEN) — IN. (CM): 40 (101.6)

MOTOR: 1/2 HP, 120-volt, 60 Hz.

EXHAUST: Use a minimum of 4" (10.2 cm) diameter rigid aluminum or galvanized-steel duct. Never use plastic, nonmetal or combustible duct.

Models	Maytag® Front-Load Compact Dryer	Maytag® Atlantis® Dryers				Maytag® Dryers			Maytag® Stacked Dryer
	MDE2400	MDE/G8400	MDE/G7400	MDE/G6400	SDE/G4606	SDE/G3606	SDE/G2606	LSE/G7806	
<b>FEATURES</b>									
Capacity — cu. ft.	3.7	6.0	6.0	6.0	7.1	7.1	7.1	4.7	
Controls	LED	Rotary	Rotary	Rotary	Rotary	Rotary	Rotary	Rotary	
GentleBreeze™ Drying System	■	■	■	■	■	■	■	■	
Dryness Control	AutoDry	IntelliDry®	IntelliDry®	Automatic	IntelliDry®	Automatic	Automatic	Automatic	
Moisture Monitor/Sensor	■	■	■	■	■	■	■	■	
Adjustable Degree Of Dryness	■	■	■	■	■	■	■	■	
Temperature Settings	3	Infinite	4	4	Variable	4	3	3	
Sound Package		Quiet Plus	Quiet Pack	Quiet Pack	Quiet Plus	Quiet Plus		Quiet Pack	
Time Dry Cycle	■	■	■	■	■	■	■	■	
Air Fluff Cycle	■	■	■	■	■	■	■	■	
Damp Dry Cycle	■	■	■	■	■	■	■	■	
Extended Tumble/Wrinkle Out	■	■	■	■	■	■	■	■	
Wrinkle Release	■	■	■	■	■	■	■	■	
Permanent Press/Wrinkle-Free Cycle	■	■	■	■	■	■	■	■	
Low/Delicate Temperature	■	■	■	■	■	■	■	■	
Ultra Care/Extra-Low Temperature	■	■	■	■	■	■	■	■	
End-Of-Cycle Signal	Melodious Chime	Variable Chime	On/Off Chime	On/Off Signal	On/Off Chime	On/Off Signal			
Drum Light	■	■	■	■	■	■	■	■	
Dryer® Cycle	■	■	■	■	■	■	■	■	
Reversible Door	■	■	■	■	■	■	■	■	
Extra-Large Door Opening	■	■	■	■	■	■	■	■	
Dryer Drum	Stainless	DuraCushion™	DuraCushion™	DuraCushion™	DuraCushion™	DuraCushion™	DuraCushion™	DuraCushion™	
High-Capacity Blower	■	■	■	■	■	■	■	■	
Four-Point Suspension System	■	■	■	■	■	■	■	■	
Electronic Ignition W/Safety Shut-Off Valve (Gas Only)	■	■	■	■	■	■	■	■	
Stacking Kit	MAL2424AXX								
LP Kit		MAL9000AXX	MAL9000AXX	MAL9000AXX	LPK1	LPK1	LPK1		
Drying Rack		MAL1100AXX	MAL1100AXX	MAL1100AXX	DR3	DR3	DR3		
Color Availability:									
White	■	■	■	■	■	■	■	■	
Bisque	■	■	■	■	■	■	■	■	

\*Drying rack with side storage included. Dryer® is a registered trademark of Procter & Gamble.



**MAYTAG® ATLANTIS® DRYERS**

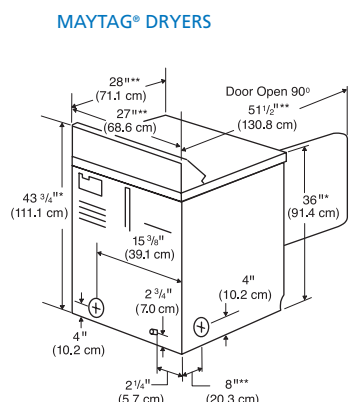
MOTOR: 1/2 HP, 120-volt, 60 Hz, single-phase, thermally protected against overload, auto-reset.

EXHAUST: Use a minimum of 4" (10.2 cm) diameter rigid aluminum or galvanized-steel duct. Never use plastic, nonmetal or combustible duct.

HEAT SOURCE/ELECTRICAL REQUIREMENTS: Electric model — 5,300-watt nichrome helix coil; 240-volt, AC, 60 Hz; 30-amp fuse. Gas model — single-port burner with automatic electric ignition; 22,000 BTU/hr., 15-amp fuse. Self-adjusting valve automatically compensates for variations in gas pressure.

WEIGHTS (Crated/Uncrated): 145 lbs. (66 kg)/130 lbs. (59 kg).

\* Dimensions will vary according to adjustment of leveling legs. \*\*Includes 3/4" (1.9 cm) for hinge on back of dryer.



**MAYTAG® DRYERS**

MOTOR: 1/2 HP, 120-volt, 60 Hz, single-phase, thermally protected against overload, auto-reset.

EXHAUST: Use a minimum of 4" (10.2 cm) diameter rigid aluminum or galvanized-steel duct. Never use plastic, nonmetal or combustible duct.

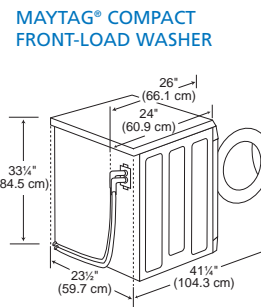
HEAT SOURCE/ELECTRICAL REQUIREMENTS: Electric model — 5,300-watt nichrome helix coil; 240-volt, AC, 60 Hz; 30-amp fuse. Gas model — single-port burner with automatic electric ignition; 22,000 BTU/hr., 15-amp fuse. Self-adjusting valve automatically compensates for variations in gas pressure.

WEIGHTS (Crated/Uncrated): 145 lbs. (66 kg)/130 lbs. (59 kg).

**Exterior Color Options**

White

Bisque



**MAYTAG® COMPACT FRONT-LOAD WASHER**

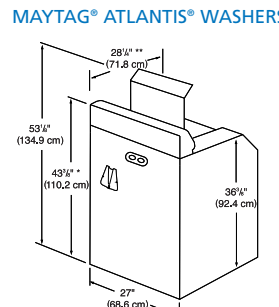
HEIGHT — IN. (CM): 33 1/2 (84.5)

WIDTH — IN. (CM): 23 1/2 (59.7)

DEPTH — IN. (CM): 24 (61)

DEPTH (WITH DOOR OPEN) — IN. (CM): 41 1/2 (104.3)

MOTOR: 1/2 HP, 120-volt, 60 Hz.



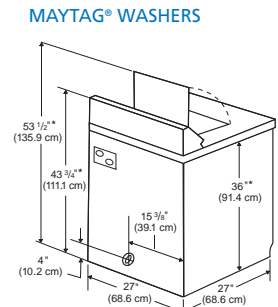
**MAYTAG® ATLANTIS® WASHERS**

MOTOR: 1/2 HP, 120-volt, 60 Hz, single-phase, thermally protected against overload, auto-reset.

HOSE LENGTH: Inlet: 4 feet (1.22 m); drain: 4 feet (1.22 m).

INSTALLATION REQUIREMENTS: Hot and cold water connections with water pressure within 30 – 120 p.s.i. (207 – 827 KPa) range; 120°F to 140°F hot water; a drain; a 120-volt, 60 Hz electrical outlet properly grounded and protected by a 15-amp fuse.

WEIGHTS (Crated/Uncrated): 168 lbs. (76.4 kg)/152 lbs. (69.1 kg).



**MAYTAG® WASHERS**

MOTOR: 1/2 HP rated, 120-volt, 60 Hz, reversible, thermally protected against overload, auto-reset.

HOSE LENGTH: Inlet: 4 feet (1.22 m); drain: 4 feet (1.22 m).

INSTALLATION REQUIREMENTS: Hot and cold water connections with water pressure within 30 – 120 p.s.i. (207 – 827 KPa) range; 120°F to 140°F hot water; a drain; a 120-volt, 60 Hz electrical outlet properly grounded and protected by a 15-amp fuse.

WEIGHTS (Crated/Uncrated): 200 lbs. (91 kg)/175 lbs. (80 kg).



Models MAV9504E, MAV7504E, SAV4655E And MAH2400

**Please note:** All models listed here may not be available from every Maytag dealer. Because of continuing product improvement, Maytag reserves the right to change specifications without notice. All Maytag® appliances are UL, AGA, CSA- or CGA-approved. Dimensional specifications are for planning purposes only. For complete details, see installation instructions packed with product.

Gas dryer dimensions are shown. Electric dryer dimensions are identical to the gas models. Electric models do not have the gas manifold connections or the power cord. Terminal block on electric models only.