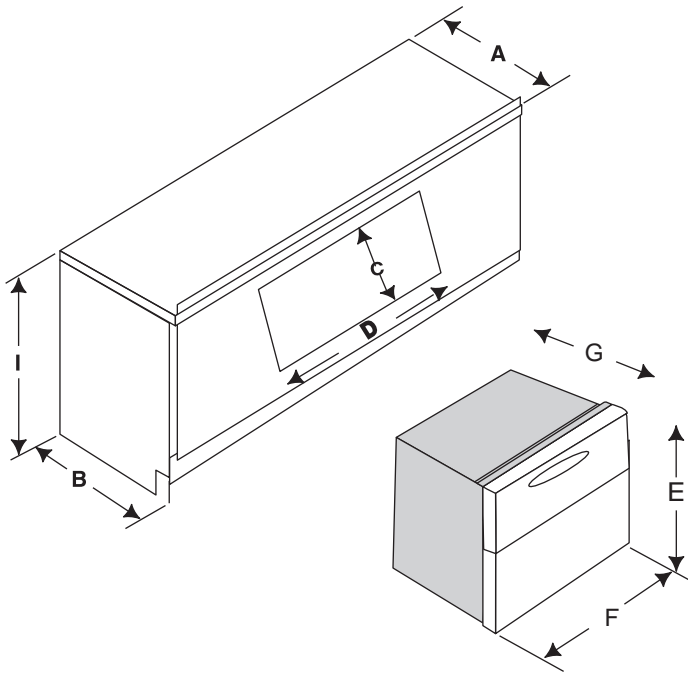




THE SIGN OF A GREAT COOK®

30"

Jenn-Air Warming Drawer



JWD7030CDX
Dimensions

■	Inches	Centimeters
A	25 minimum	63.5 minimum
B	23 1/2 minimum	59.7 minimum
C	9 1/4	23.5
D	28 1/2	72.4
E	10 1/2	26.7
F	30	76.2
G	23 1/4	59.1

Notes:

1. Depth of drawer when fully extended: 25 1/2", (27 7/8" with Pro-Style Front).
2. Install 2x2 or 2x4 anti-tip block against rear cabinet wall 9" from drawer floor to bottom of block.
3. Electrical outlet - flush with side of cabinet 7" max; 16" max from left side; 42" max from right side.
4. When installing Warming Drawer below a cooktop, allow a 2" minimum from bottom of cooktop burner box to top of cut-out.
5. Cut-out dimensions are critical. Refer to installation instructions packaged with product before making cut-outs.
6. A drawer front is required for mounting to the JWD7030CDX base unit. Order a front that coordinates with your kitchen.

Important: Because of continuing product improvements, Jenn-Air reserves the right to change specifications without notice. Dimensional specifications are provided for planning purposes only. For complete details see installation instructions that accompany each product before selecting cabinetry, making cutouts or beginning installation.