

Thank you for buying an Omnimount Product!



VISUAL DISPLAY™ SERIES

LCD CANTILEVER MOUNT

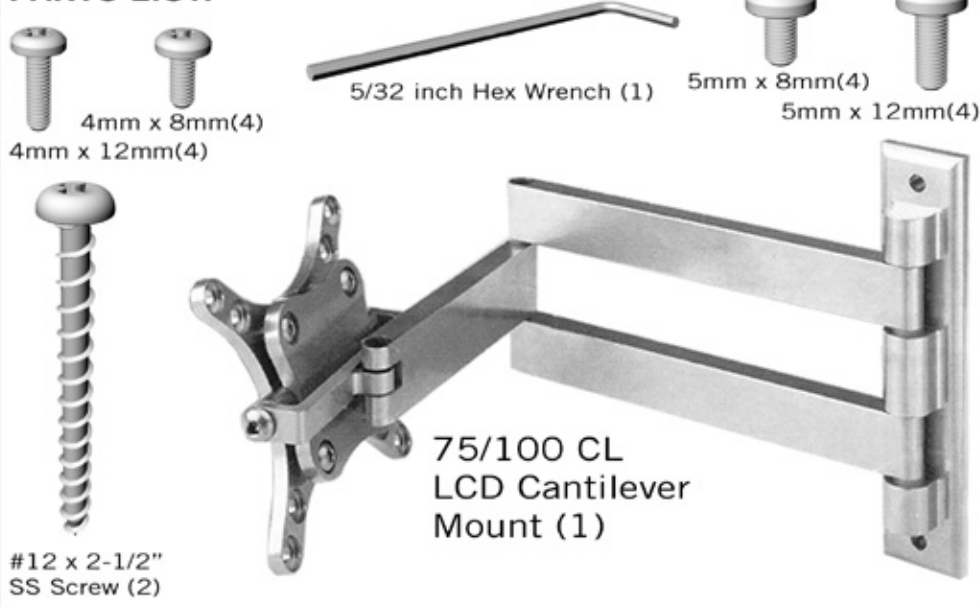
- COMPATIBLE WITH ALL VESA 75/100 LCD MONITORS
- LIGHT WEIGHT, LONG LASTING ALUMINUM
- UNLIMITED MANEUVERABILITY
- DURABLE ELECTROSTATIC POWDER COATING
- ALL PARTS INCLUDED FOR EASY INSTALLATION



For assistance or more information on other great products from Omnimount Systems, Inc. contact us at:
Omnimount Systems, Inc.
The Pointe at South Mountain
8201 S. 48th St.
Phoenix, AZ 85044-5302
1-800-MOUNT-IT!
voice: 480-829-8000
fax: 480-756-9000
web: www.omnimount.com

LCD VESA 75/100 CL - Cantilever Mount Instructions

PARTS LIST:



Read through the entire instructions before beginning.

First determine that your LCD monitor is VESA standard compliant. VESA is a standard mounting hole pattern (see image A). The 75/100 CL LCD Cantilever Mount can attach to both 75mm and 100mm VESA square hole patterns. If your LCD monitor is not VESA standard compliant, you will need a mounting adapter between your LCD monitor and the cantilever mount. Contact Omnimount to see if an adapter is available for your LCD monitor.

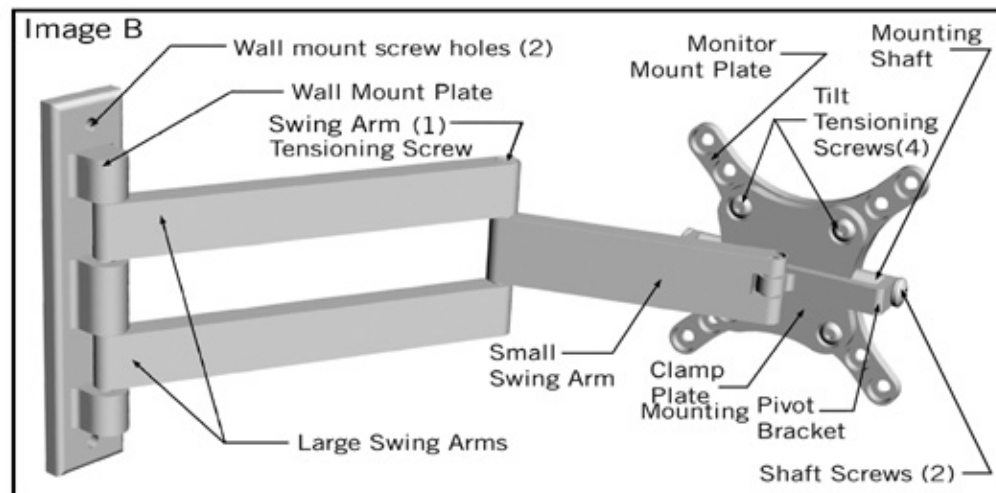
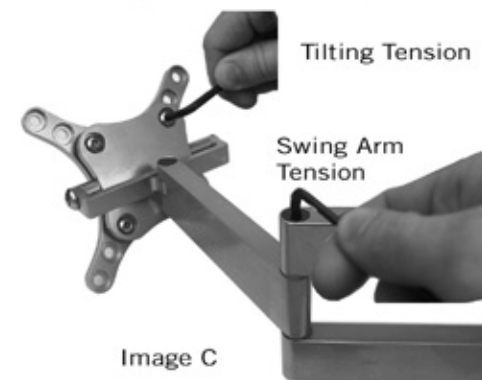
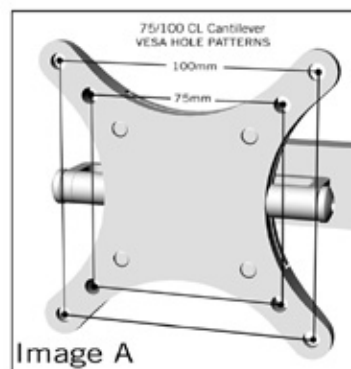
Step 1: Determine your preferred mounting location keeping in mind good viewing angles and that this mount MUST be properly secured to the center of a stud. Be sure that the mount is in the proper orientation (Check 'UP' sticker on the back of the Wall Mount Plate).

Step 2: While holding the mount in place and being sure that the mount is plumb, mark the mounting location (you can use the supplied # 12 lag screws to poke marks into the mounting surface through the center of each mounting hole on the wall mounting plate). When mounting to a wood stud, drill a 2 inch deep pilot hole with a 5/32" drill bit through each mark. Attach the cantilever mount to the wall before attaching your LCD monitor to the cantilever's monitor mounting plate.

Step 3: If your monitor has a table top stand, you will need to remove the stand before attaching it to the cantilever mount; refer to the monitor's users manual for proper instruction to remove stand. Using some help, attach your monitor to the monitor mount plate. There are 4 sets of screws with 4 screws per set supplied. Depending on your LCD manufacturer's specifications, determine the proper size & length of screws that you need. **CAUTION: Damage to internal components can occur if you use screws that are too long.**

Step 4: If you attach any wires along the cantilever (for example using wire-ties), be sure that the wires (or ties) are not pulled, pinched or kinked when you move the cantilever mount around into different positions.

Step 5: All of the screws are properly torqued to specification when the unit is assembled at the factory and should not need any further initial adjustments. However, due to the variety in size of different monitors, MINOR adjustment may be required to optimize the tension needed for ease of movement. To loosen or tighten the tilting function use the supplied 5/32 inch hex wrench to loosen or tighten the 4 screws respectfully on the back of the clamp plate until the desired resistance is obtained (see image B Tilt Tensioning Screws and Image C). Try to maintain even torque on each of the 4 screws. **BE SURE THAT YOUR LCD MONITOR IS SUPPORTED PROPERLY WHILE MAKING ANY CHANGES TO THE CANTILEVER.** Over tightening these four screws can cause damage to the clamp plate. It does not take that much change in torque to make a large difference in the tilting tension. Do NOT loosen the 2 side screws on the Mounting Shaft to adjust the tilting tension, these should remain tight. To loosen or tighten the swing arm tension use the supplied 5/32 inch hex wrench to loosen or tighten the screw shown in image B & C (Swing Arm Tensioning Screw). Periodic adjustment of these screws may be necessary to maintain desired tension. There should be NO reason to tighten or loosen the main swing arm pivot screw (located on the bottom the Wall Mount Plate), improper tightening of this screw can damage the wall mount plate.



Every effort has been made to provide accurate and error-free assembly and installation. Omnimount systems disclaims liability for any difficulties arising from the interpretation of information contained in these instructions

If Omnimount products are used for purposes other than their original intent, Omnimount, its distributors and retailers shall not be held responsible or liable for injuries or property damage, direct indirect, or consequential, which may arise from the inability to use this product safely, properly, and in the manner for which it has been designed and manufactured. Warranty does not apply to products which have been lost, damaged by misuse, abuse, or accident.