



Electric Washer/Dryer

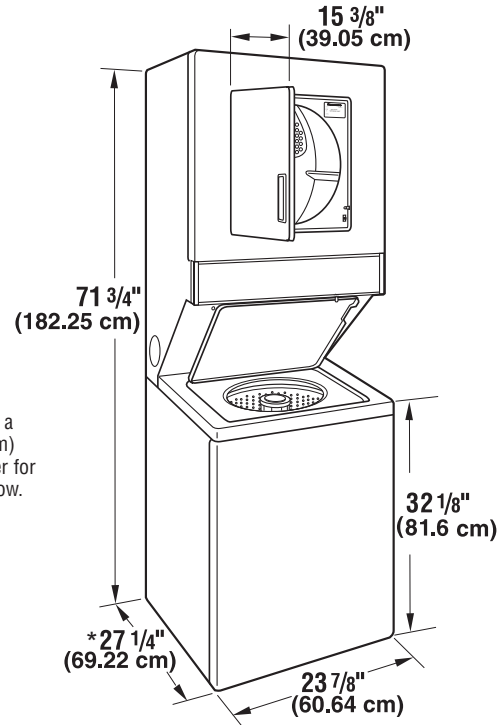
PRODUCT MODEL NUMBER

LTE5243D

Electrical: A 120/240-volt, 60-Hz, AC-only, electrical supply (120/208-volt electrical supply, if specified on the serial/rating plate) is required on a separate 30-amp circuit, fused on both sides of the line. A time-delay fuse or circuit breaker is recommended.

Exhaust venting: Exhaust your dryer to the outside. Four-inch diameter vent is required. Rigid or flexible metal exhaust vent must be used. Do Not use plastic or metal foil vent. Exhaust outlet hood must be at least 12 inches from the ground or any object that may be in the path of the exhaust.

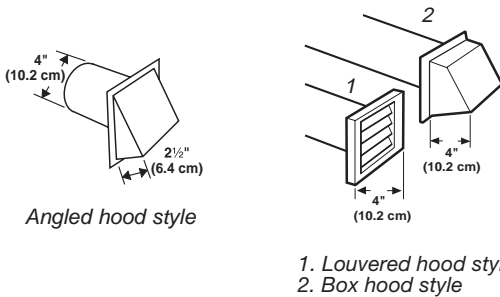
OVERALL DIMENSIONS



* Most installations require a minimum 5-1/2 in. (14 cm) clearance behind the dryer for the exhaust vent with elbow.

EXHAUST VENTING

Plan installation to use the fewest number of elbows and turns. Maximum length of the exhaust system depends upon the type of vent used, number of elbows and the type of exhaust hood. The maximum length for both rigid and flexible vent is shown in the chart.



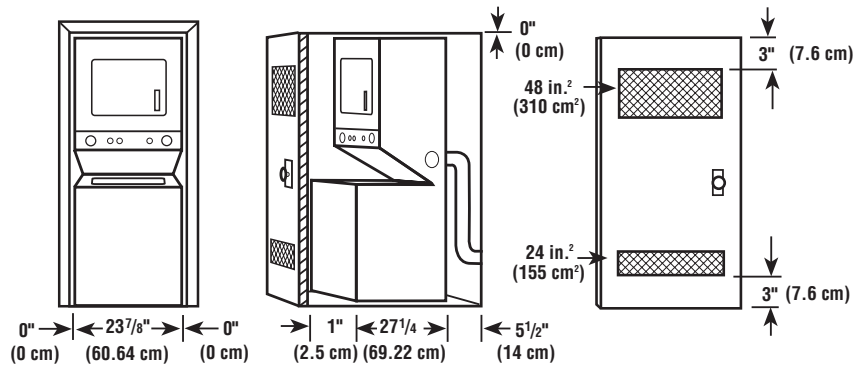
Vent Length Chart

Number of 90° turns or elbows	Type of Vent	Box or Louvered hoods	Angled hoods
0	Rigid metal	34 ft (12.2 m)	29 ft (10.7 m)
	Flexible metal	21 ft (7.6 m)	16 ft (6.1 m)
1	Rigid metal	24 ft (9.7 m)	20 ft (8.2 m)
	Flexible metal	15 ft (6.4 m)	10 ft (4.9 m)
2	Rigid metal	14 ft (7.3 m)	12 ft (5.8 m)
	Flexible metal	7 ft (4.6 m)	2 ft (3.0 m)

NOTE: Side exhaust adds a 90° turn inside the washer/dryer. To determine maximum exhaust length, add one 90° turn to the chart.

RECESSED AREA AND CLOSET INSTALLATION

Additional clearance for wall, door and floor molding may be required. Rear clearance may be 0 in. when house exhaust system is lined up directly with dryer exhaust.



1. Recessed area
2. Side view - closet or confined area
3. Closet door with vents