

DCE33 SERVICE PARTS

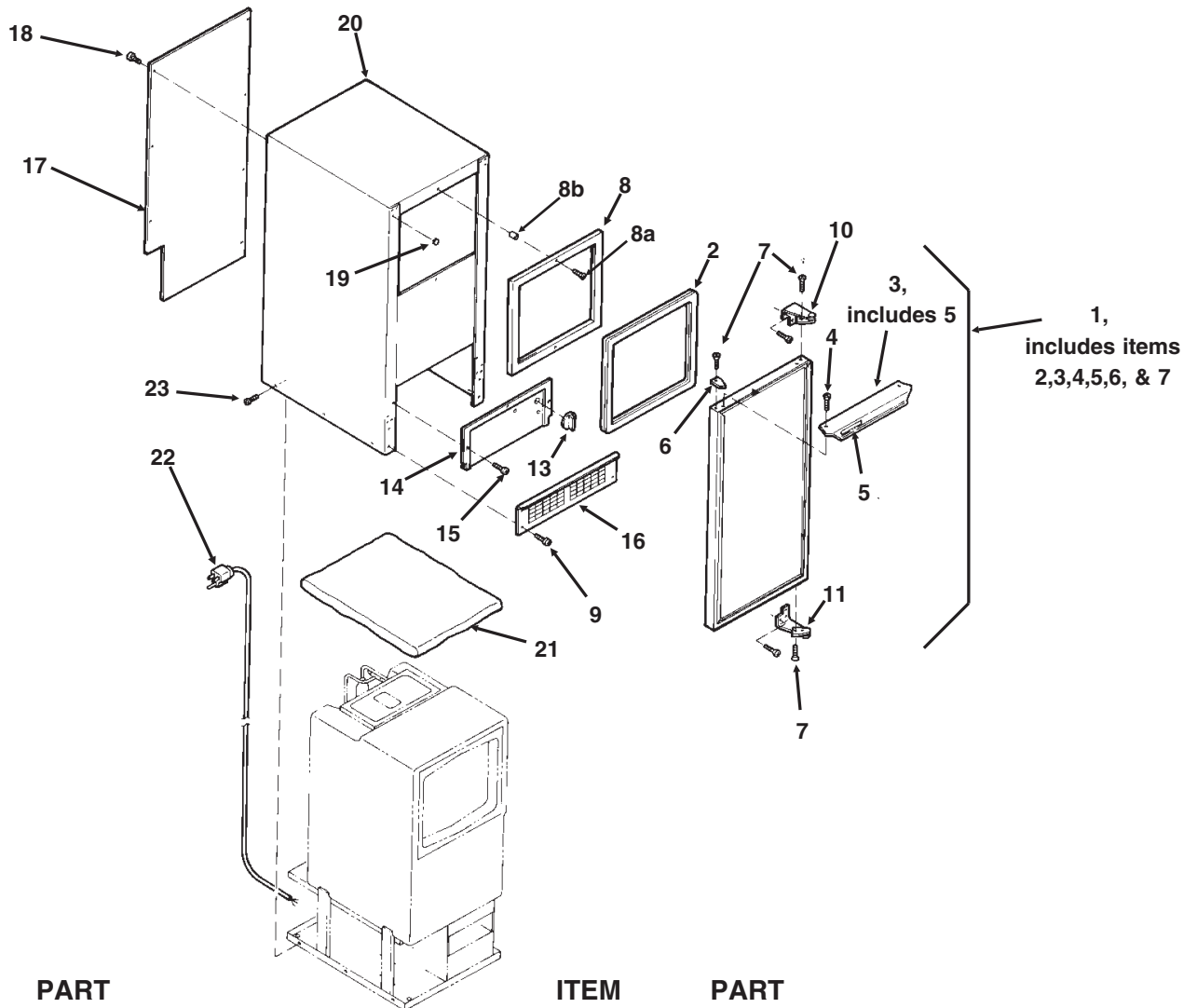
The section contains the parts list for the DCE33. The DCE33 has been manufactured in either a White or a Black finish. Please check the part description before ordering any part.

TABLE OF CONTENTS

CABINET	PAGE 2
MAJOR ASSEMBLIES	PAGE 3
DRAIN PUMP PARTS	PAGE 4
CONDENSING UNIT	PAGE 5
RESERVOIR	PAGE 6
CONTROL BOX	PAGE 7
COMPRESSOR	PAGE 8
KIT PARTS.....	PAGE 9
WIRING DIAGRAMS	
DRAIN PUMP MODEL	PAGE 10
GRAVITY DRAIN MODEL.....	PAGE 11

DCE33 SERVICE PARTS

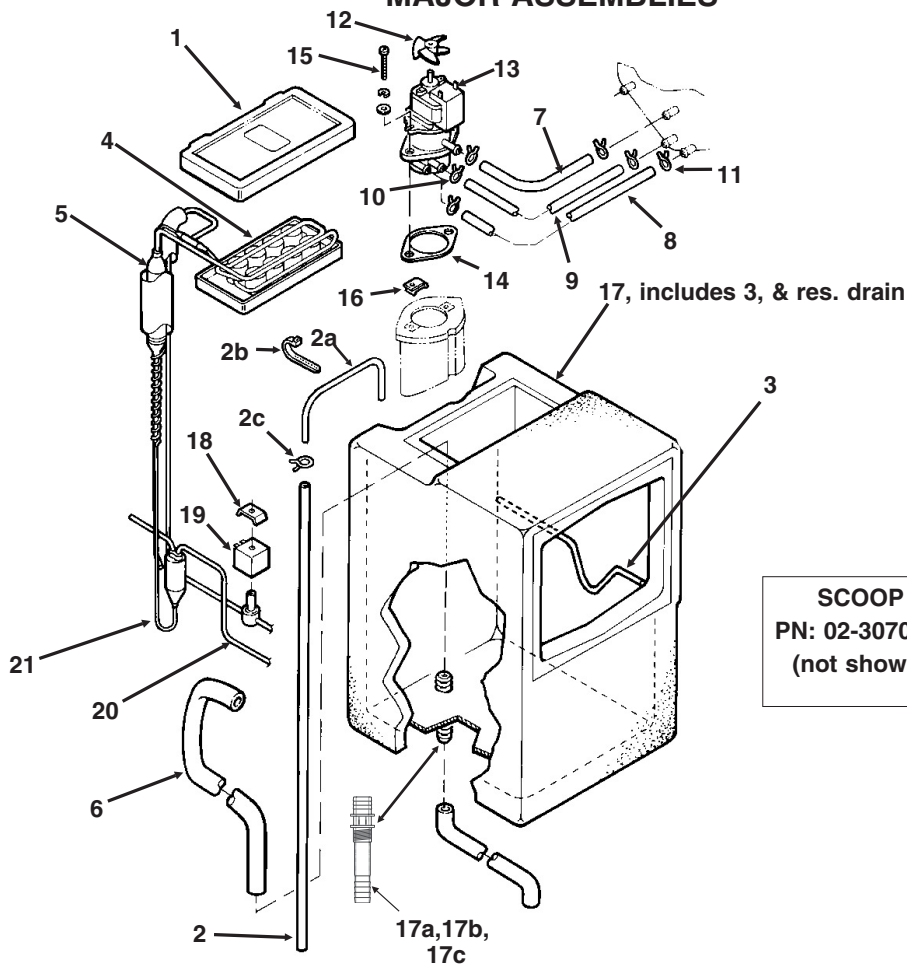
CABINET



ITEM NUMBER	PART NUMBER	DESCRIPTION	ITEM NUMBER	PART NUMBER	DESCRIPTION
1.	A32117-003	White Door Assembly	10.	15-0799-01	Hinge
	A32117-010	Black door assembly	11.	15-0799-02	Hinge
2.	13-0826-01	Gasket (white)	13.	02-3141-01	Knob, Bin Thermo
	13-0826-03	Gasket (grey)	14.	A34877-002	Cont Box cover - white
3.	A29043-001	Alum. Door Handle (white)		A34877-003	Cont Box cover - black
	A29043-003	Alum. Door Handle, (black)	15.	03-1404-07	Screw (3)
4.	03-1607-01	Head Screw (2)	16.	02-2243-02	Kickplate
5.	15-0730-01	Nameplate strip (white)	17.	A29102-001	Rear Panel
	15-0730-02	Nameplate strip (black)	18.	03-1404-08	Screw (9)
6.	15-0648-01	Alum. Hinge Fill Plate, Rt.	19.	02-2481-01	Plug (6) (white)
	15-0648-02	Alum. Hinge Fill Plate, Lt.		02-2481-02	Plug, black
7.	03-1418-24	Screw (10)	20.	A28861-023	Cabinet (white)
8.	13-0828-01	Gasket (white)		A28861-024	Cabinet (black)
	13-0828-02	Gasket (grey)	21.	A26787-001	Insulation (in Bag)
8a	03-1419-08	Screw	22.	12-1638-07	Power Cord
8b	02-2701-01	Spacer	23.	03-1431-00	Screw
9.	03-1419-05	Screw (unpainted) (4)			

DCE33 SERVICE PARTS

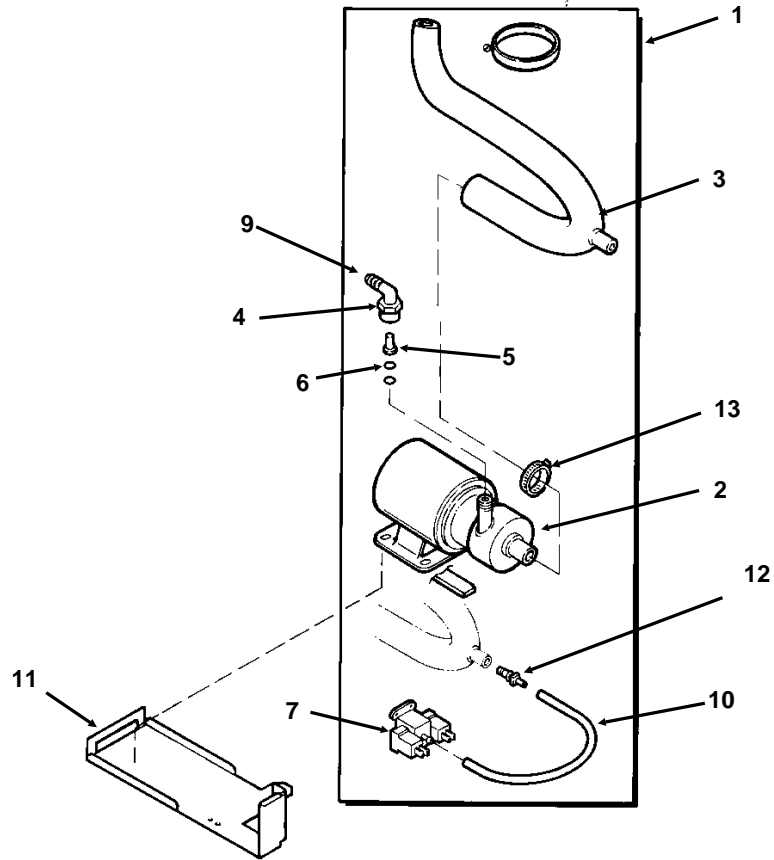
MAJOR ASSEMBLIES



ITEM NUMBER	PART NUMBER	DESCRIPTION			
1.	02-2274-01	Platen Cover	14.	13-0687-00	Gasket
2.	13-0674-01	Tube, 37"	15.	03-1404-14	Screw (2)
2a	A27027-001	Copper inlet tube	16.	03-1422-04	Speed Nut (2)
2b	A27038-001	Tube holder	17.	A36930-020	Bin Assembly, includes reservoir drain hose & drain fittings
2c	02-1727-01	Hose clamp	17a	02-3323-01	Drain fitting (foamed in bin)
3.	A34816-001	Bin Thermostat Bracket	17b	13-0617-13	O-Ring
4.	02-3489-20	Evaporator, does NOT include suction line and accumulator	17c	03-1394-05	Pal nut
5.	A36699-020	Evaporator, Complete	18	12-2569-03	Clip, Hot Gas Valve
6.	13-0899-01	Res. drain hose	19.	12-2569-02	Coil, Hot Gas Valve
7.	13-0674-16	Tube, 5/8" Req. 4.25"	20.	12-2569-01	Hot Gas Valve Body
8.	13-0674-15	Tube, 1/2", Req. 3.25"	21	02-3490-01	Drier
9.	13-0674-15	Tube, 1/2", Req. 3-5/8"			
10.	02-1775-02	Clamp (2)			
11.	02-0534-01	Clamp (4)			
12.	02-1719-00	Fan Blade			
13.	A30625-001	Spray Pump			

DCE33 SERVICE PARTS

Drain Pump Components



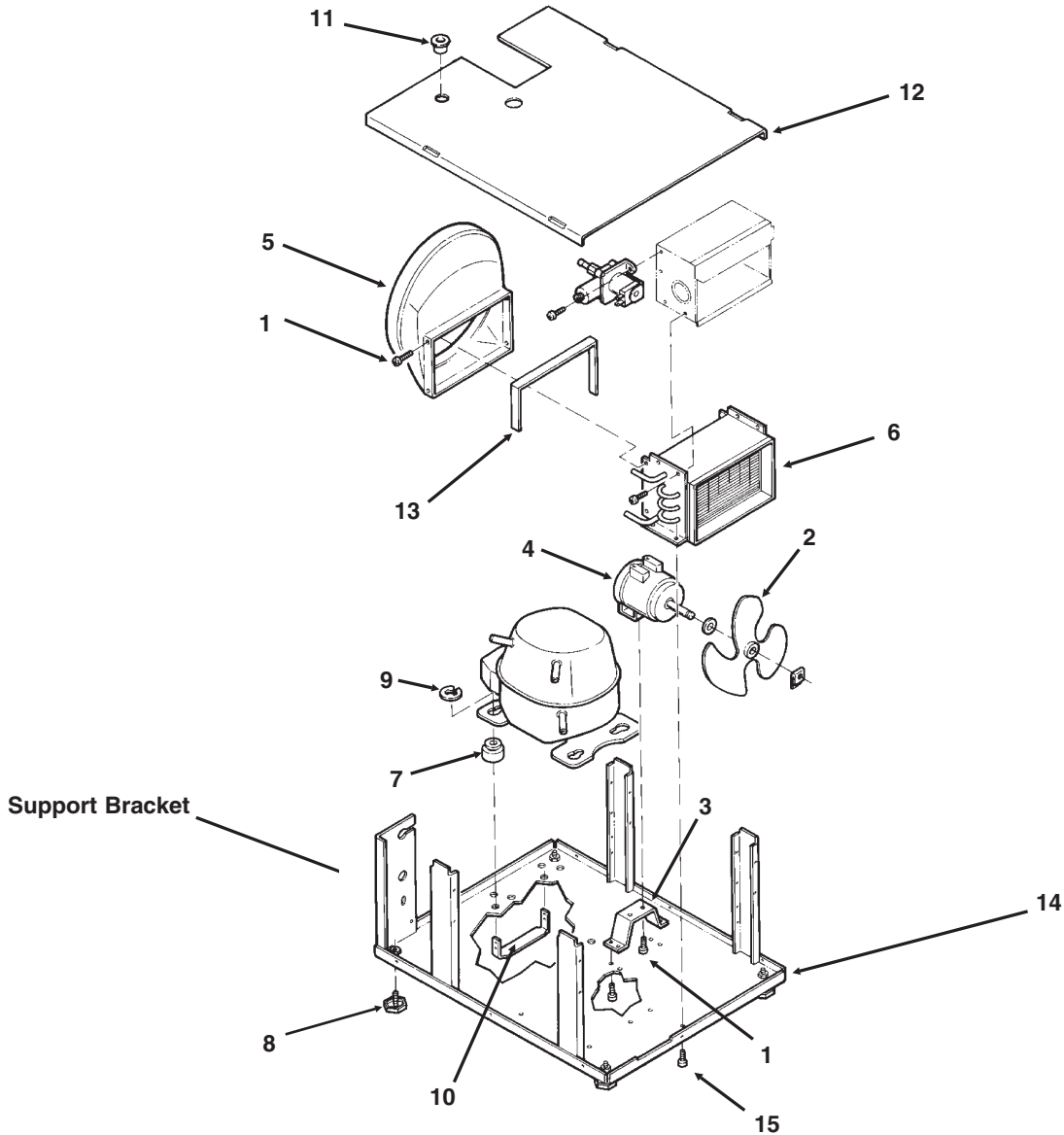
ITEM NUMBER	PART NUMBER	DESCRIPTION
1.	A36892-020	Drain Pump Kit, use to convert any DCE33 gravity model to pump type. Pump must be ordered separately.
2	12-2503-21	Drain pump only, use to replace drain pumps or w/kit to convert.

Pump Kit Service Parts

3	02-3369-01	Inlet hose
4	02-3522-01	Elbow
5	02-3374-01	Check valve
6	13-0617-08	O-ring
7	11-0504-01	Pressure switch
8	obsolete	Impeller & housing kit
9	A37334-001	Discharge hose
10	05-0591-01	Switch hose
11	A36746-001	Mounting bracket
12	02-3406-01	Barbed connector
13	02-2814-01	Clamp
14	12-2580-01	Harness

DCE33 SERVICE PARTS

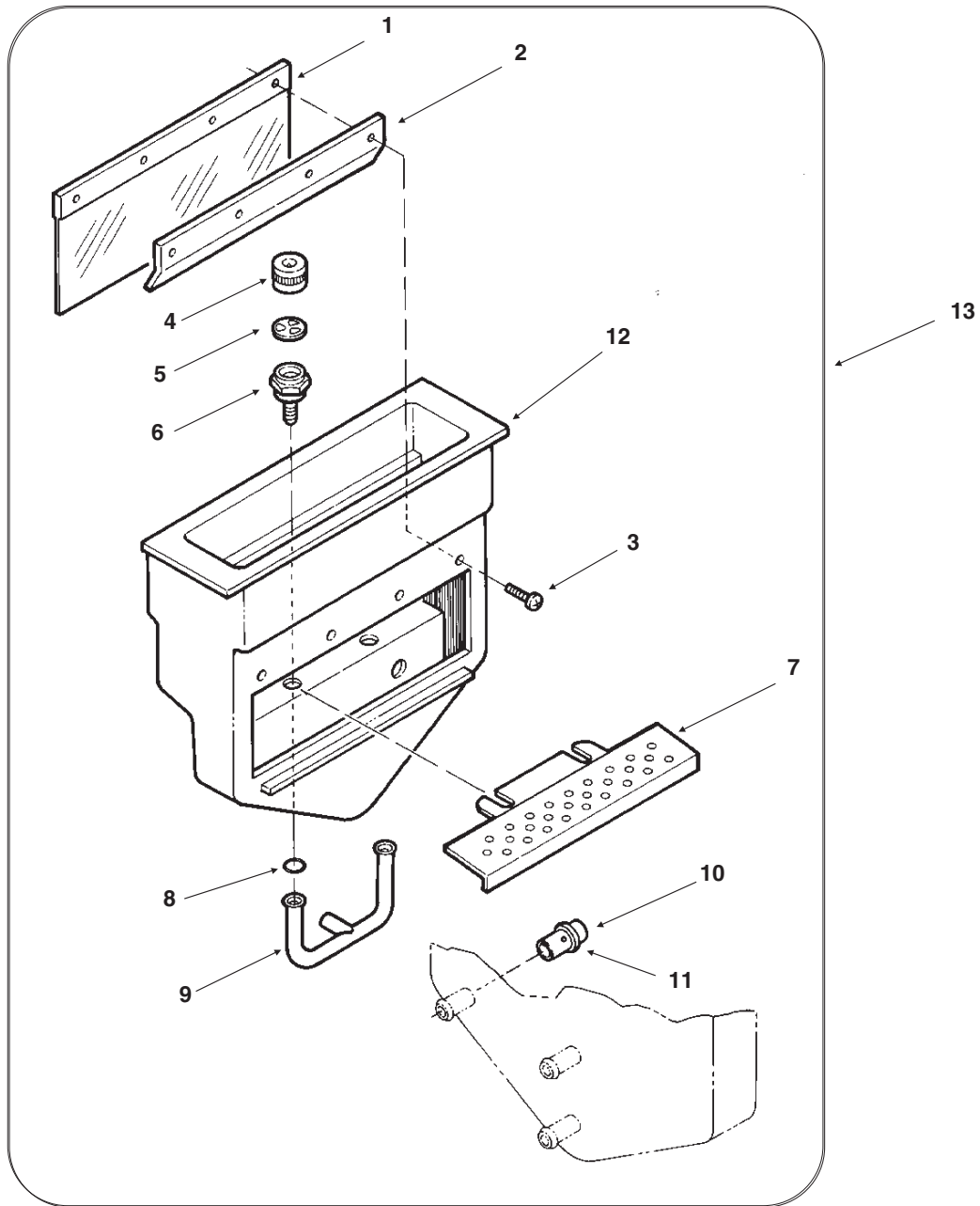
CONDENSING UNIT



ITEM NUMBER	PART NUMBER	DESCRIPTION	ITEM NUMBER	PART NUMBER	DESCRIPTION
1.	03-1404-08	Screw (4)	11	12-1213-10	Bushing
2.	18-3710-01	Fan Blade	12	A37732-001	Upper base plate
3.	A28798-001	Fan Motor Bracket	13	13-0609-00	Foam tape
4.	12-2396-01	Fan Motor	14	A28921-001	Lower base plate
	18-8752-10	Blade pad			Support brackets part of item 12
	18-8752-11	Blade nut	15	03-1531-01	Screw
	18-8752-12	Motor mounting screw			
5.	02-2871-01	Fan Shroud			
6.	18-3729-01	Condenser			
7.	18-4700-28	Grommet			
8.	03-1608-01	Leg Leveler			
9.	02-2497-01	Clip			
10.	A29015-001	Bracket			

DCE33 SERVICE PARTS

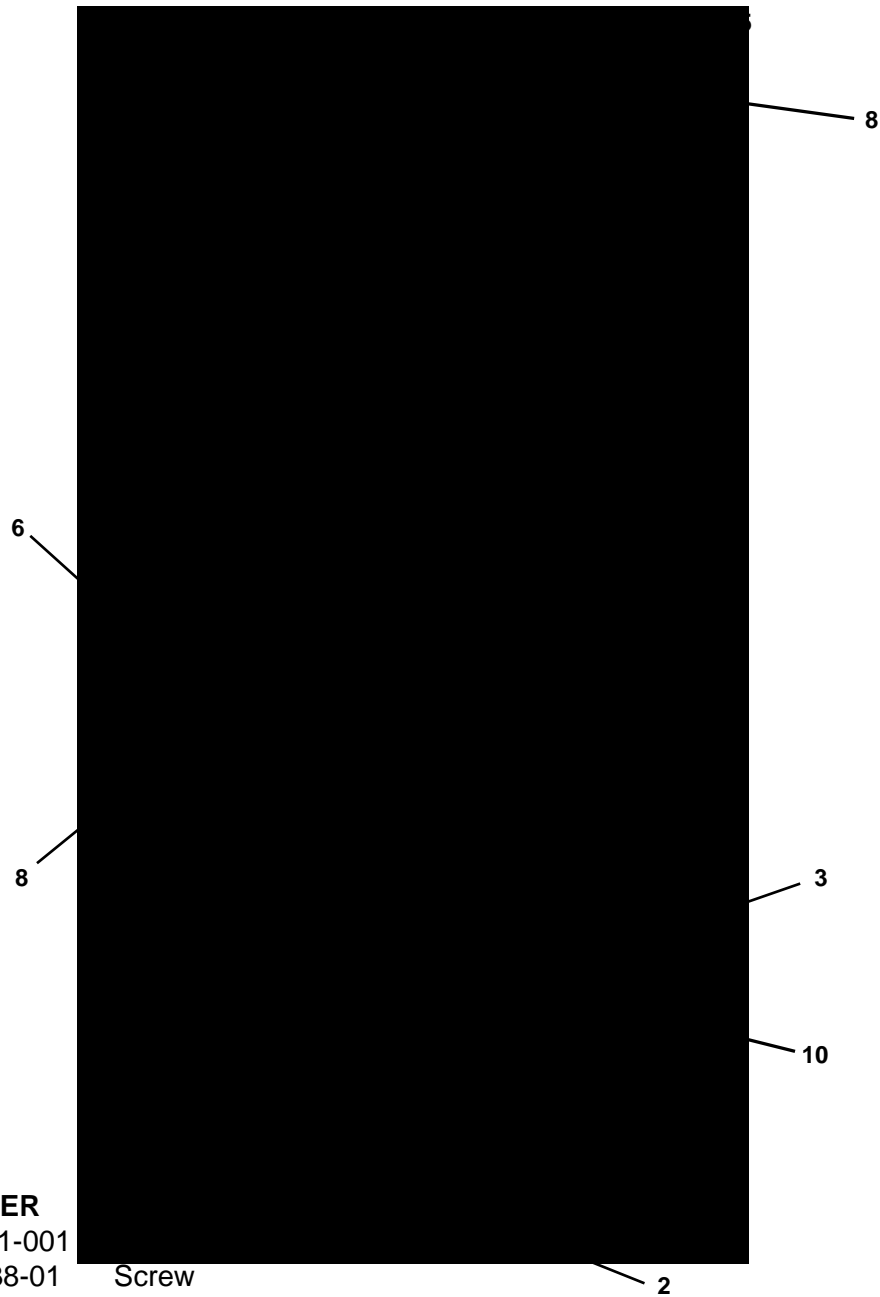
RESERVOIR



ITEM NUMBER	PART NUMBER	DESCRIPTION	ITEM NUMBER	PART NUMBER	DESCRIPTION
1.	02-2479-21	Curtain	8.	13-0617-08	O-ring
2.	A24155-001	Curtain stiffener	9.	02-2704-01	Spray Bar Assembly
3.	03-1404-16	Screw	10.	05-0593-01	SS nipple
4.	02-1841-00	Nozzle	11.	13-0617-01	O-ring
5.	A09543-000	Spinner	12.	02-1923-01	Bin Insert
6.	02-1840-00	Jet Base	13	A22532-000	Bin insert assy
7.	A22518-000	Cube Chute			

DCE33 SERVICE PARTS

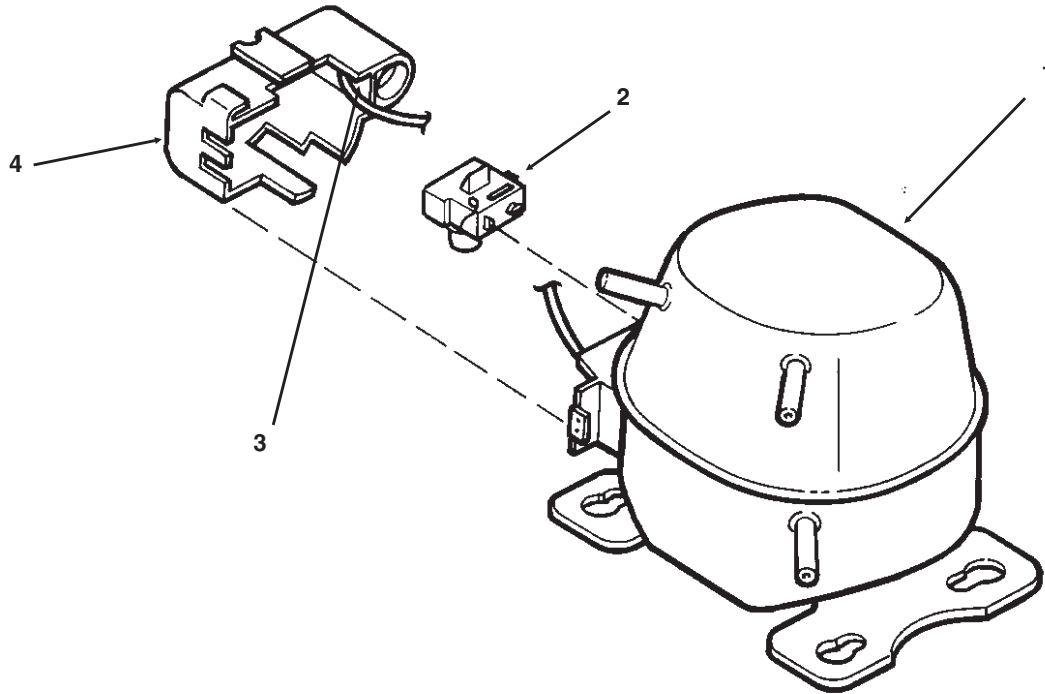
CONTROL BOX



ITEM NUMBER	PART NUMBER	
1.	A25981-001	
2.	03-1638-01	Screw
3.	12-1980-21	Timer And Switch
4.	11-0503-21	Cube Size Control
5.	11-0407-21	Bin Level Control
	02-3141-01	Knob for item 5
6.	12-2410-21	Inlet Water Valve (includes new fittings)
	12-2410-31	Coil only for above valve
7.	12-1213-12	Bushing
8.	03-1403-17	Screw
9	12-1213-04	Snap bushing
10	03-1638-02	Screw
11	02-2242-06	Stand off
12	02-2242-05	Stand off

DCE33 SERVICE PARTS

COMPRESSOR



ITEM NUMBER	PART NUMBER	DESCRIPTION
1.	18-8776-21	Compressor Kit, Includes Relay, Overload, Instructions
2.	18-8776-51	Relay
3.	18-8776-52	Overload
4.	18-8776-54	Cover

DCE33 SERVICE PARTS

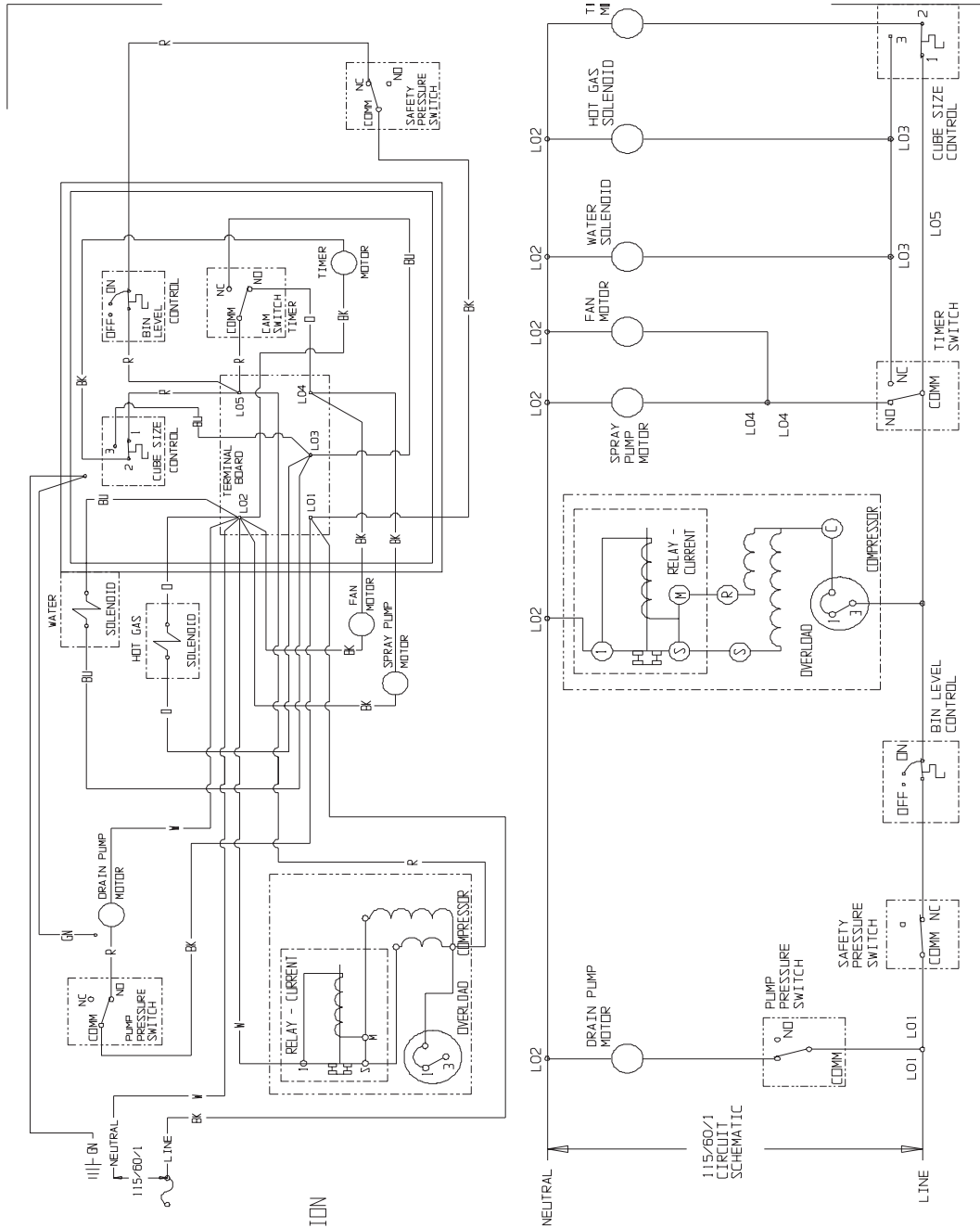
Kit Parts

K-SS Door Sleeve Kit

02-3846-01	Sleeve
02-3847-01	Handle
03-1403-50	Screw for handle
03-1407-06	Washer
03-1410-03	Lockwasher
03-3811-01	Screw

DCE33 SERVICE PARTS

Drain Pump Model Wiring Diagram



A36943-001

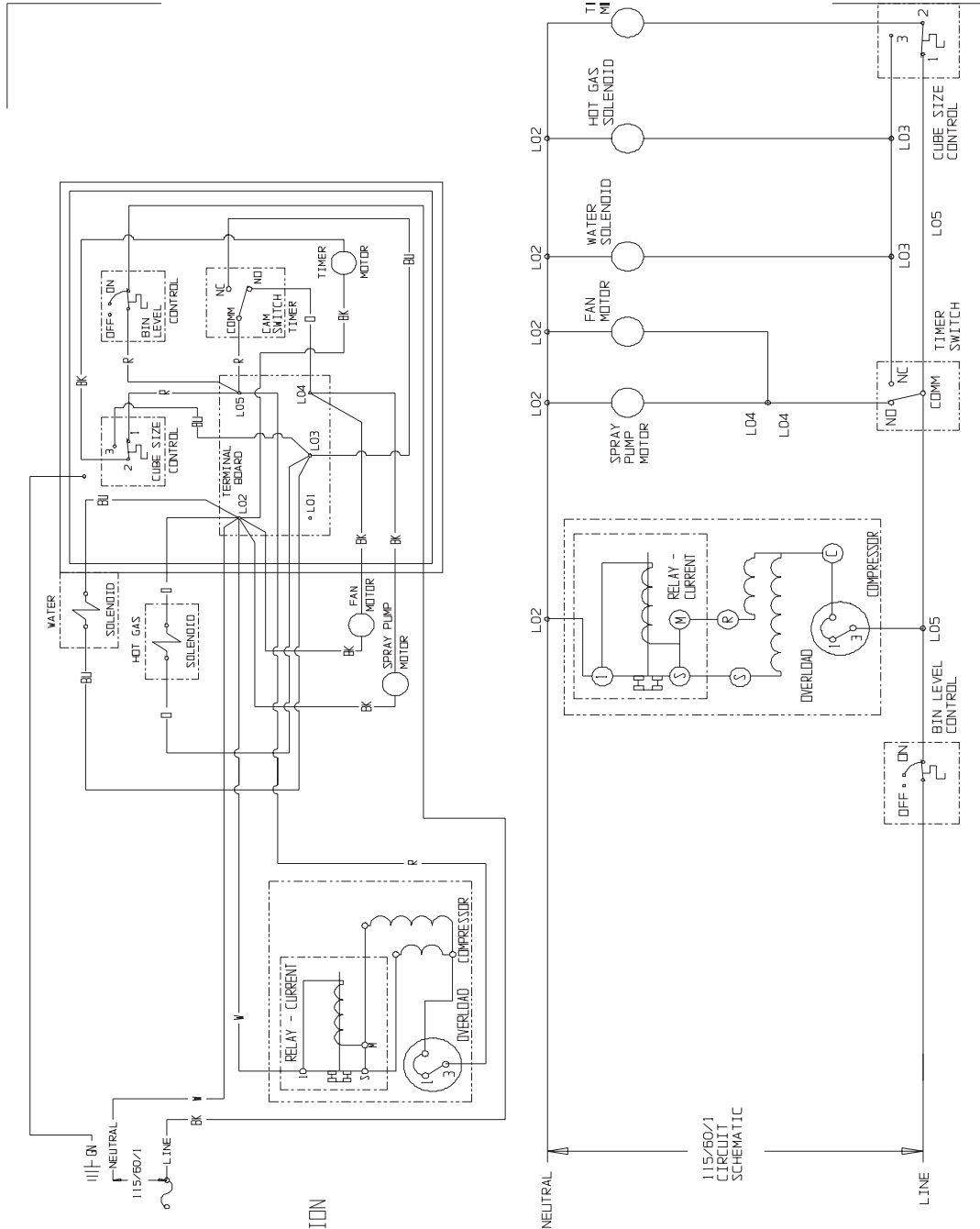
THIS UNIT SHOWN IN THE TIMED PORTION OF THE FREEZING CYCLE WITH THE DRAIN PUMP IN OPERATION

THIS UNIT MUST BE GROUNDED

- INSTALLATION INSTRUCTIONS**
1. UNIT MUST BE INSTALLED LEVEL AND IN ACCORDANCE WITH LOCAL CODES.
 2. CONNECT A POTABLE WATER LINE TO 1/4" IPT ON WATER VALVE LOCATED IN THE FRONT OF THE MACHINE.
 3. ROUTE 3/8" I.D. FLEXIBLE HOSE FROM LEFT FRONT OF MACHINE PER INSTRUCTIONS FOR DC33PA IN SERVICE MANUAL.
 4. CONNECT THE ELECTRICAL POWER CORD TO A PROPERLY WIRED AND GROUNDED RECEPTICAL.
 5. BY TURNING THE ON/OFF SWITCH/BIN LEVEL CONTROL DIAL IN A CLOCKWISE DIRECTION TO APPROXIMATE OPERATING RANGE MARKING, UNIT IS NOW IN AUTOMATIC OPERATION.

DCE33 SERVICE PARTS

Gravity Drain Model Wiring Diagram



A36940-001

THIS UNIT SHOWN IN THE TIMED PORTION OF THE FREEZING CYCLE WITH THE DRAIN PUMP IN OPERATION

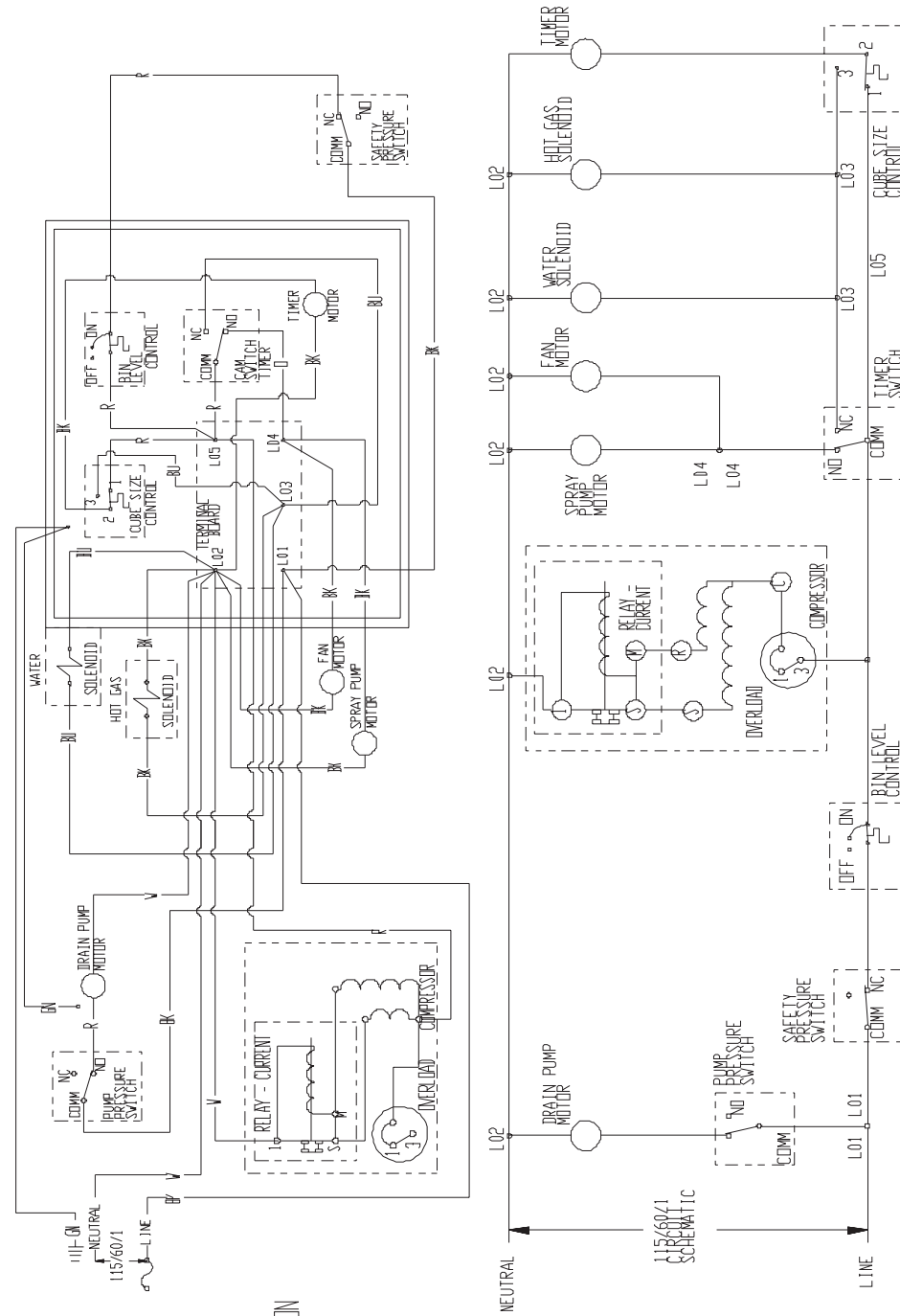
THIS UNIT MUST BE GROUNDED

INSTALLATION INSTRUCTIONS

1. UNIT MUST BE INSTALLED LEVEL AND IN ACCORDANCE WITH LOCAL CODES.
2. CONNECT A POTABLE WATER LINE TO 1/4" HPT ON WATER VALVE LOCATED IN THE FRONT OF THE MACHINE.
3. ROUTE 3/8" I.D. FLEXIBLE HOSE FROM LEFT FRONT OF MACHINE PER INSTRUCTIONS FOR DCE33PA IN SERVICE MANUAL.
4. CONNECT THE ELECTRICAL POWER CORD TO A PROPERLY WIRED AND GROUNDED RECEPTICAL.
5. BY TURNING THE ON/OFF SWITCH/BIN LEVEL CONTROL DIAL IN A CLOCKWISE DIRECTION TO APPROXIMATE OPERATING RANGE MARKING, UNIT IS NOW IN AUTOMATIC OPERATION.

DCE33 SERVICE PARTS

Drain Pump Model Wiring Diagram after August 2000



A36943-001

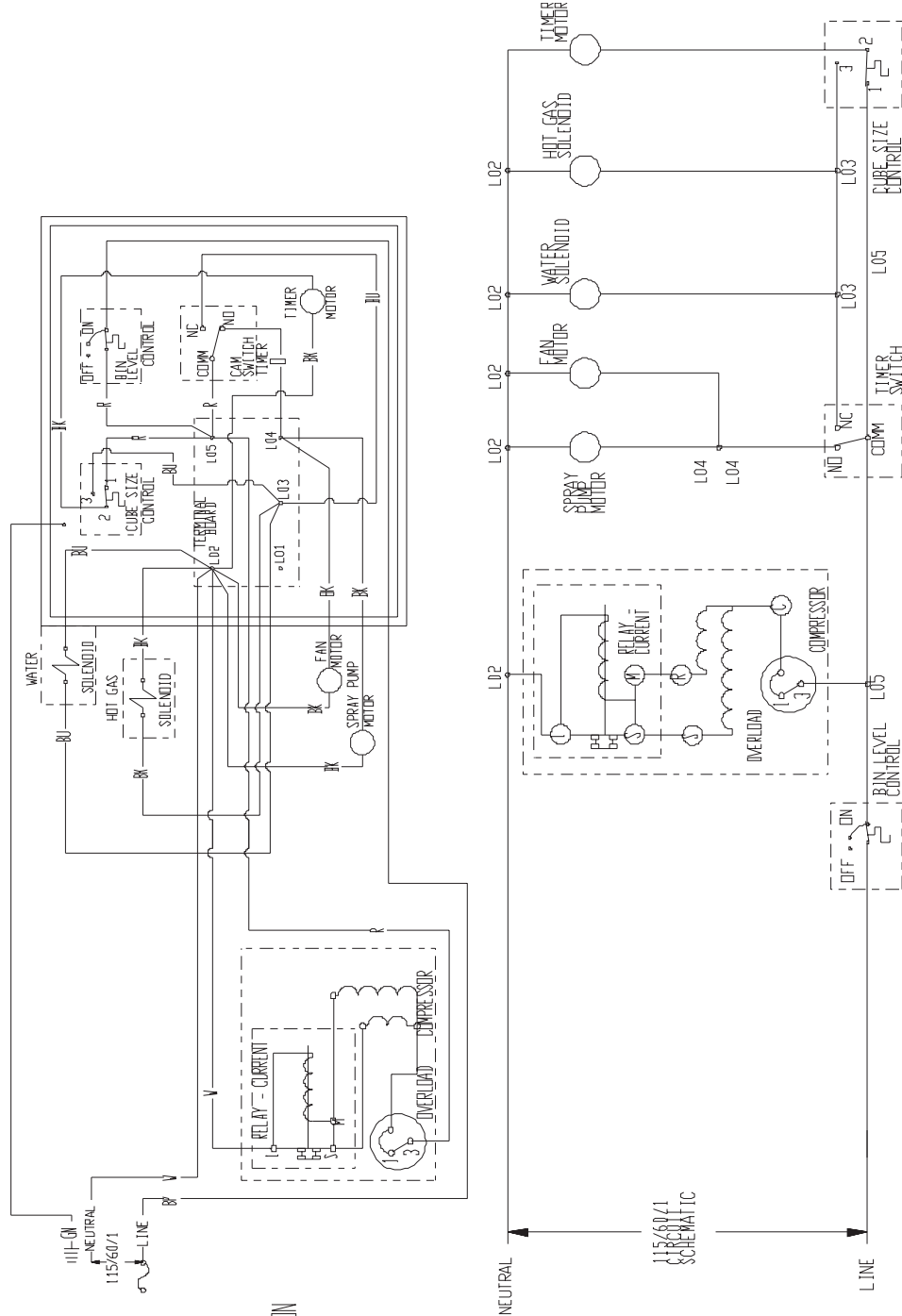
THIS UNIT SHOWN IN THE TIMED PORTION OF THE FREEZING CYCLE WITH THE DRAIN PUMP IN OPERATION

THIS UNIT MUST BE GROUNDED

- INSTALLATION INSTRUCTIONS**
1. UNIT MUST BE INSTALLED LEVEL AND IN ACCORDANCE WITH LOCAL CODES.
 2. CONNECT A WATER WASTE LINE TO 1/4" NPT OF WATER WASTE LOCATED IN THE FRONT OF THE MACHINE.
 3. ROUTE 3/8" I.D. FLEXIBLE HOSE FROM REAR FRONT OF MACHINE PER INSTRUCTIONS FOR DCE33A IN SERVICE MANUAL.
 4. CONNECT THE ELECTRICAL POWER CORD TO A PROPERLY WIRED AND GROUNDED RECEPTICAL.
 5. BY TURNING THE INVOKE SWITCH/ON LEVEL CONTROL RELAY AND INVOKE SWITCH/ON CUBE SIZE CONTROL RELAY TO THE "ON" POSITION, UNIT IS NOW IN AUTOMATIC OPERATION.

DCE33 SERVICE PARTS

Gravity Drain Model Wiring Diagram after August 2000



A36940-001

THIS UNIT SHOWN IN THE TIMED PORTION OF THE FREEZING CYCLE WITH THE DRAIN PUMP IN OPERATION

THIS UNIT MUST BE GROUNDED

- INSTALLATION INSTRUCTIONS**
1. UNIT MUST BE INSTALLED LEVEL AND IN ACCORDANCE WITH LOCAL CODES.
 2. CONNECT A POTABLE WATER LINE TO 1/4" WPT IN WATER VALVE LOCATED IN THE FRONT OF THE WASHING MACHINE.
 3. ROUTE 3/8" I.D. FLEXIBLE HOSE FROM WATER IN SERVICE HANDLE.
 4. CONNECT THE ELECTRICAL POWER CORD TO A PROPERLY WIRED AND GROUNDED RECEPTICAL.
 5. BY TURNING THE ON/OFF SWITCH/BIN LEVEL CONTROL DIAL IN A CLOCKWISE DIRECTION TO APPROXIMATE OPERATING RANGE MARKING, UNIT IS NOW IN AUTOMATIC OPERATION.