

Single-Drawer Dishwasher



Cabinetry by KraftMaid® Tile by Mannington Mills, Inc.

Architect® Series II

KUDD03ST

Run small loads with the powerful performance of an independent dishwasher. A **Pro Wash™ Bar** supplements the wash arms by spraying water from the top throughout the dishwasher.



Stainless Steel
KUDD03STSS



FOR THE WAY IT'S MADE.®

Single-Drawer Dishwasher



KUDD03ST

- 6 Cycles/4 Cycle Options
- Pro Wash™ Bar
- Sure-Hold® Small Items Mesh Bag
- Food Chopper
- Sensor Wash
- Pro Dry™ Feature
- Removable Rack Inserts
- 2 Sure-Hold® Light Item Clips
- Nylon-Coated Stemware and Cup Holder
- 2-Piece Silverware Basket
- Removable Nylon-Coated Racks with Cushion-Tip™ Tines
- Whisper Quiet® Sound Insulation System (54 dBA)*
- NSF® Certification
- ENERGY STAR® Qualified
- Fully Integrated Console
- White (WH), Black (BL), Stainless Steel (SS), or Panel-Ready (PA)**

*Per IEC standards, normal cycle.
**Accepts custom panel and handle.



Sensor Wash

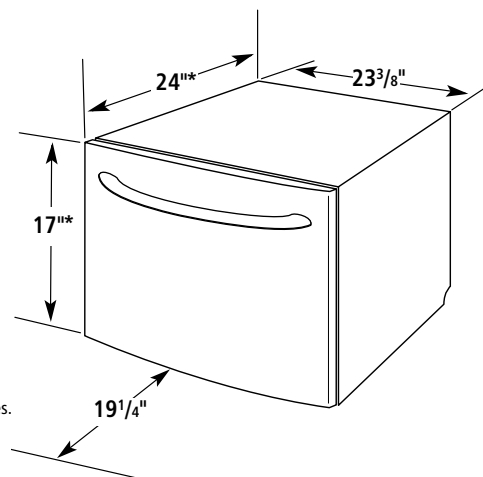
An optional cycle that automatically selects the best temperature and cycle time based on the soil level of the dishes in the load.



Enhanced Rack System

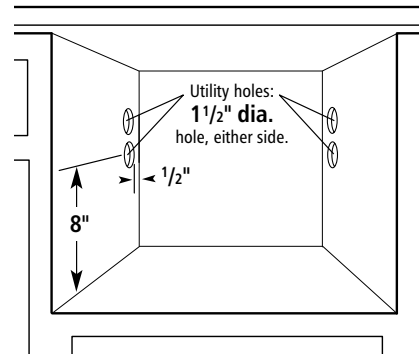
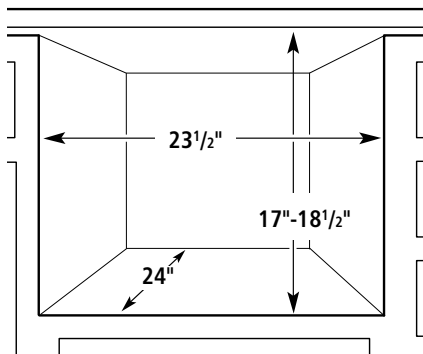
Flexible, removable tines and a cup shelf help ensure thorough cleaning of every dish. Sure-Hold® Small Items Mesh Bag and two Sure-Hold® Light Item Clips provide secure placement of small contents.

PRODUCT DIMENSIONS



*If a custom wood panel is to be used, the product depth is specified with a 1/2" door panel thickness.
NOTE: Product shown with front panel for dimension purposes.

CUTOUT DIMENSIONS



Dimensions are for planning purposes only. For complete details, see Installation Instructions packed with product. Specifications subject to change without notice.

Custom Panel: 23 7/16" x 16 1/4"

For corner installation, there must be a 1/2" space between the adjacent cabinet doors (i.e. door knobs) and open dishwasher drawer.

For Additional Information About KitchenAid® Appliances

Visit KitchenAid.com or call the Customer Experience Center 1-800-422-1230.

KitchenAid®
FOR THE WAY IT'S MADE.®

®Registered trademark/™Trademark of KitchenAid, U.S.A.

©2008. All rights reserved.

KitchenAid • Benton Harbor, Michigan 49022 U.S.A.

®ENERGY STAR is a U.S. registered mark.

®KraftMaid is a registered trademark of Masco Corporation.