

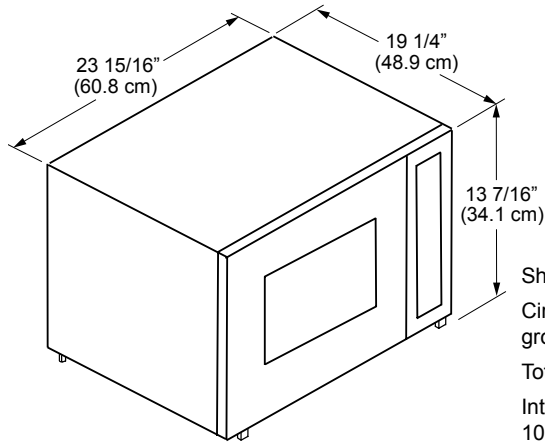
DMT2420, AMTK, AOMTK



Microwave Oven and Built-In Trim Kits

PLANNING GUIDE

All tolerances: +1/16", -0, (+1.6 mm, -0) unless otherwise stated



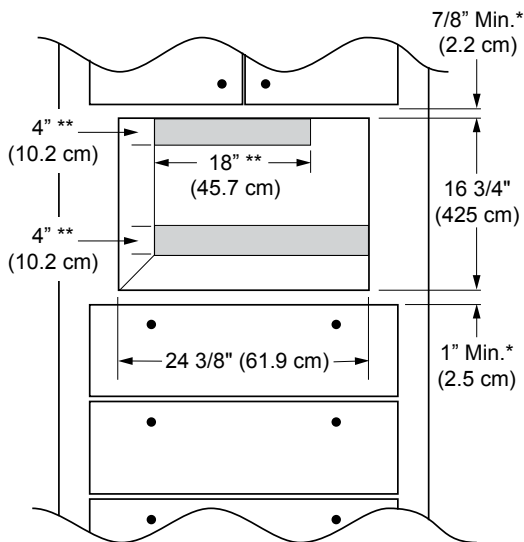
Shipping weight: 46 lbs.

Circuit required: 120 Vac, 15 Amp, dedicated, grounded, 3-prong electrical outlet

Total connected load: 12.5 Amp. @ 120 Vac, 60 Hz.

Interior dimensions:
10 1/4" H x 16 5/8" W x 17 3/4" D,
interior walls are recessed

DMT2420 MICROWAVE SPECIFICATIONS



* Minimum spacing: Includes additional space to avoid scraping/vibration.

** 120 Vac 15 Amp. 3-prong electrical outlet must be located in one of the shaded areas shown unless interior cabinet depth is more than 21" (53.3 cm).

MICROWAVE INSTALLATION WITH BUILT-IN TRIM KIT

NOTE:

- Microwave is supplied with 42" (106.7 cm) power cord with a three prong grounding plug.
- 3/4" (1.9 cm) platform (flush with cutout) required.
- 20" (50.8 cm) minimum interior cabinet depth required for AMTK and AOMTK built-in trim kits.
- See the Combination Installation (CI) section if installing with a wall oven or warming oven.

NOTE: The Dacor color palette has been developed and implemented throughout our product offerings in order to provide designers and customers with a coordinating suite of products. All of our Dacor Preference® products compliment the design aesthetic of today's kitchens as well as one another. Due to the inherent nature of color rendition, the variation of materials used to assemble these handcrafted products and manufacturing production tolerances, variation based upon ambient and natural lighting conditions as well as surrounding surface color and texture may cause noticeable variation in saturation. These Dacor products are intended to coordinate with one another and noticeable differentiation may be apparent if units are installed directly adjacent to one another.

Specifications subject to change without notice.

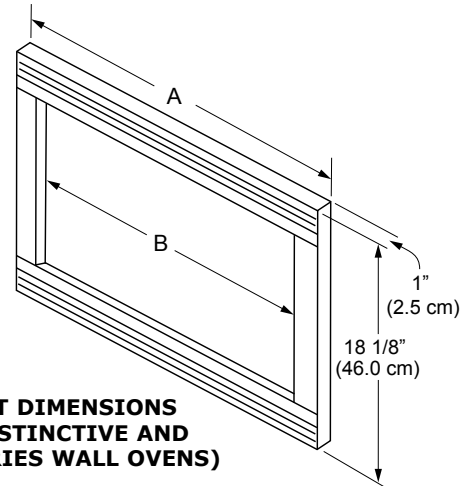
Install all appliances according to accompanying installation instructions.

www.Dacor.com

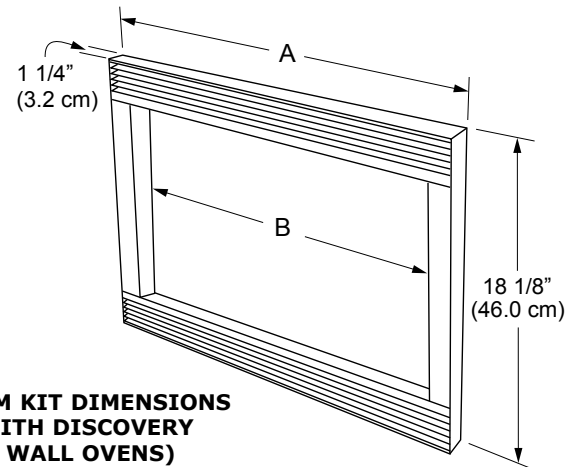
Phone: (800) 793-0093

WARNING

- Observe all governing codes and ordinances during planning and installation. Contact your local building department for further information.
- This appliance must be installed in accordance with the accompanying installation instructions.



AMTK TRIM KIT DIMENSIONS (USED WITH DISTINCTIVE AND RENAISSANCE SERIES WALL OVENS)



AOMTK TRIM KIT DIMENSIONS (USED WITH DISCOVERY SERIES WALL OVENS)

| Trim Kit Model # | (A) Overall Width | (B) Opening Width | Trim Kit Overlays | Approximate Shipping Weight |
|------------------|-------------------|-------------------|-----------------------|-----------------------------|
| AMTK27 | 27" (68.6 cm) | 24" (61.0 cm) | Top: 5/8" (1.6 cm) | 12 lbs. |
| AMTK30 | 30" (76.2 cm) | | | 12 lbs. |
| AMTK36 | 36" (91.4 cm) | | Bottom: 3/4" (1.9 cm) | 16 lbs. |
| AOMTK27 | 27" (68.6 cm) | | | 17 lbs. |
| AOMTK30 | 30" (76.2 cm) | | | 18 lbs. |