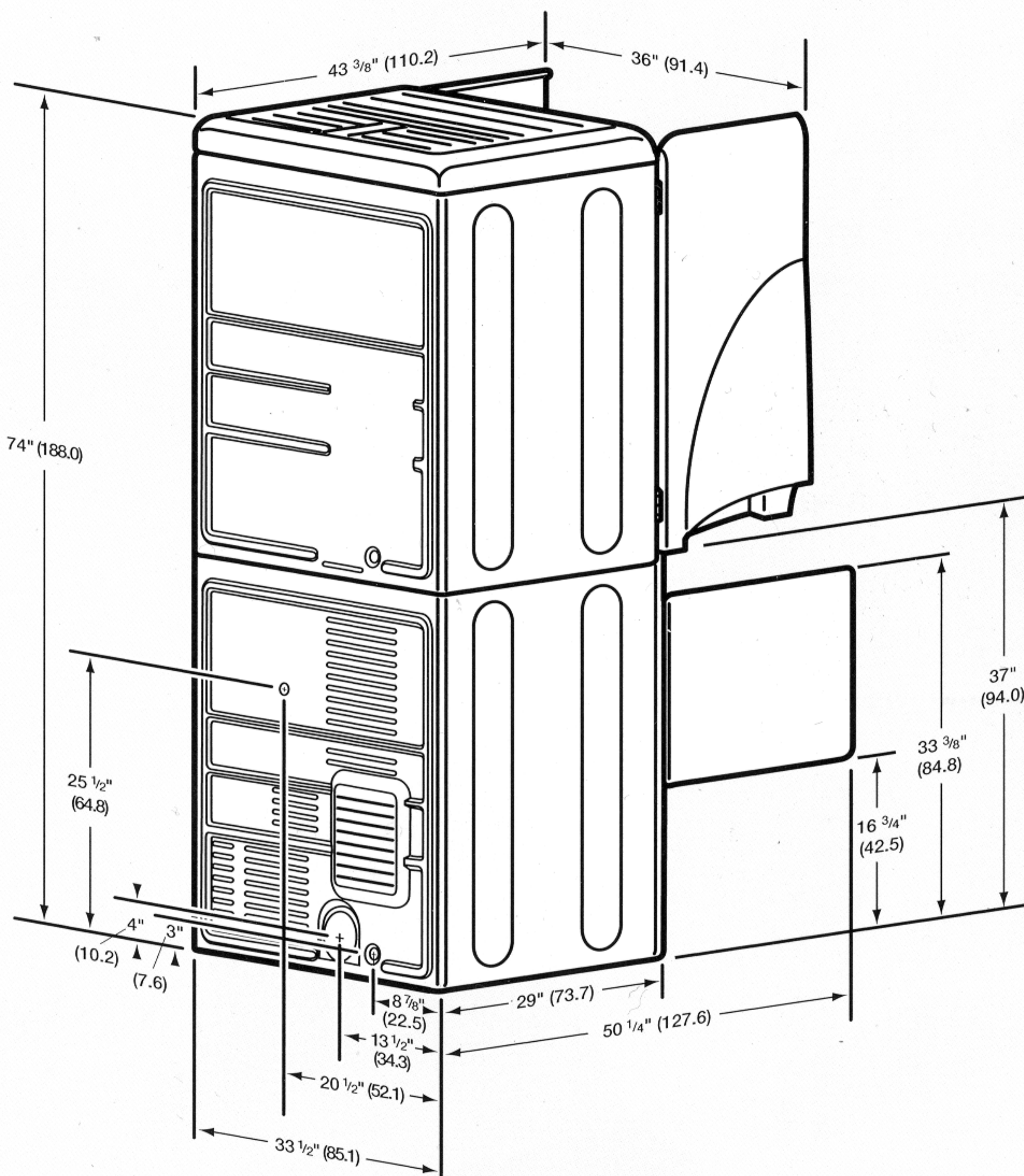


# Maytag® Neptune® Drying Center™ Installation

The Maytag® Neptune® Drying Center™ is not a built-in unit, so it doesn't require extra cabinetry. It's only about 6" wider than a traditional dryer.



Duct vent is 13 1/2" (34.3 cm) from left side of machine, 4" (10.2 cm) from bottom of machine. Gas pipe is 8 7/8" (22.5 cm) from left side of machine, 3" (7.6 cm) from bottom of machine. Power cord is 20 1/2" (52.1 cm) from left side of machine, 25 1/2" (64.8 cm) from bottom of machine.

**NOTE:** Two people are required for proper installation of the Maytag® Neptune® Drying Center™. Minimum installation opening: 38 1/2" (97.8 cm) W x 76" (193.0 cm) H x 30 1/2" (77.5 cm) D.

## Installation Requirements:

- Grounded electrical outlet. (20-amp circuit is required for gas model.)
- 240-volt, 30-amp power cord for electric model. (Power cord is supplied on gas model.)
- Gas line for gas model.
- Rigid metal exhaust ducting.

## Installation Steps:

1. Remove unit from crate and pry off shipping base.
2. If installing unit next to a washer, remove washer temporarily to allow for more access to gas line, electrical outlet, venting hookup and leveling legs.
3. MCE model:
  - a. Install 240-volt, 30-amp power cord. (Not included.)
  - b. Attach venting duct.
4. MCG model:
  - a. Attach gas supply.
  - b. Attach venting duct.
5. Plug power cord into electrical outlet.
6. Move unit into final position.
7. Adjust and lock leveling legs.
8. Remove all shipping material from tumbler drum and upper cabinet interior.

**NOTE:** Be sure to check bottom dress box for any additional debris.