



# Downdraft Vent Systems

### *Safety Instructions*

Safety Precautions .....	2-4
Servicing .....	4

### *Installation Instructions* .. 7-17

30" Cooktops/Downdraft Unit JVB37 .....	10
36" Cooktops/Downdraft Unit JVB67 .....	11
Dimensions and Clearances ..	7, 8
Ductwork .....	9, 13, 15
Electrical and Gas Location .....	9
Induction Cooktops .....	12
Optional Kits .....	17
Parts Supplied .....	9
Power Supply .....	13
Raise/Lower Switch .....	16
Tools and Materials Required ..	9
Venting .....	14, 15

### *Operating Instructions*

Cooking Tips .....	6
Raise/Lower Switch .....	5
Using the Cooktop .....	5
Using the Downdraft System ..	5, 6

### *Care and Cleaning*

Grease Filters .....	6
Painted or Metal Surfaces .....	6

### *Troubleshooting Tips* .....

### *Consumer Support*

Consumer Support ... Back Cover	
Warranty .....	19

**Write the model and serial numbers here:**

**Model #** \_\_\_\_\_

**Serial #** \_\_\_\_\_

You can find these numbers on a label on the side of the blower housing.

**Owner's Manual  
& Installation  
Instructions**

JVB37  
JVB67



# IMPORTANT SAFETY INFORMATION. READ ALL INSTRUCTIONS BEFORE USING.

**PLEASE NOTE:** The downdraft vent system you have purchased was designed to be used with GE, GE Profile and GE Profile Performance cooktops listed in this manual.

## **⚠ WARNING!**

For your safety, the information in this manual must be followed to minimize the risk of fire or explosion, electric shock, or to prevent property damage, personal injury, or loss of life.

## **⚠ WARNING—TO REDUCE THE RISK OF FIRE, ELECTRIC SHOCK, OR INJURY TO PERSONS, OBSERVE THE FOLLOWING:**



- A.** Use this unit only in the manner intended by the manufacturer. If you have questions, contact the manufacturer.
- B.** Before servicing or cleaning unit, switch power off at service panel and lock the service disconnecting means to prevent power from being switched on accidentally. When the service disconnecting means cannot be locked, securely fasten a prominent warning device, such as a tag, to the service panel.
- CAUTION:** For general ventilating use only. Do not use to exhaust hazardous or explosive materials and vapors.
- Installation work and electrical wiring must be done by qualified person(s) in accordance with all applicable codes and standards, including fire-rated construction.
- Sufficient air is needed for proper combustion and exhausting of gases through the flue (chimney) of fuel-burning equipment to prevent back drafting. Follow the heating equipment manufacturer's guideline and safety standards such as those published by the National Fire Protection Association (NFPA), and the American Society for Heating, Refrigeration and Air Conditioning Engineers (ASHRAE), and the local code authorities.
- When cutting or drilling into wall or ceiling, do not damage electrical wiring and other hidden utilities.
- Ducted fans must always be vented to the outdoors.
- To reduce the risk of fire, use only metal ductwork.
- PVC sewer pipe can be used as duct under concrete slab if allowed by local code board.
- This unit must be grounded.



## SAFETY PRECAUTIONS

**▲ WARNING!** TO REDUCE THE RISK OF A RANGE TOP GREASE FIRE:

- Never leave surface units unattended at high settings. Boilovers cause smoking and greasy spillovers that may ignite. Heat oils slowly on low or medium settings.
- Always turn hood **ON** when cooking at high heat or when cooking flaming foods.
- Clean ventilating fans frequently. Grease should not be allowed to accumulate on fan or filter.
- Use proper pan size. Always use cookware appropriate for the size of the surface element.

# IMPORTANT SAFETY INFORMATION. READ ALL INSTRUCTIONS BEFORE USING.

Safety Instructions

Operating Instructions

Installation Instructions

Troubleshooting Tips

Consumer Support



## **⚠ WARNING!** SAFETY PRECAUTIONS

**⚠ WARNING!** TO REDUCE THE RISK OF INJURY TO PERSONS IN THE EVENT OF A RANGE TOP GREASE FIRE, OBSERVE THE FOLLOWING:\*

**A. SMOTHER FLAMES** with a close-fitting lid, cookie sheet, or metal tray, then turn off the burner. **BE CAREFUL TO PREVENT BURNS.** If the flames do not go out immediately, **EVACUATE AND CALL THE FIRE DEPARTMENT.**

**B. NEVER PICK UP A FLAMING PAN—** You may be burned.

**C. DO NOT USE WATER,** including wet dishcloths or towels—a violent steam explosion will result.

**D. Use an extinguisher ONLY if:**

1. You know you have a Class ABC extinguisher, and you already know how to operate it.
2. The fire is small and contained in the area where it started.

**3.** The fire department is being called.

**4.** You can fight the fire with your back to an exit.

*\*Based on "Kitchen Fire safety Tips" published by NFPA.*

**CAUTION:** For general ventilating use only. Do not use to exhaust hazardous or explosive materials and vapors.

*Make sure all fingers are away from the downdraft top when it is lowered.*

**If You Need Service...**

Do not attempt to repair or replace any part of the downdraft system unless it is specifically recommended in this guide. All other servicing should be referred to a qualified technician.



## SERVICING

*Be sure electrical power is off before servicing the unit.*

It may be necessary to remove the downdraft blower system in order to service components such as the blower motor or air vent mechanism.

Disconnect power to the cooktop and remove it first. Reverse the steps in the *Install the Downdraft* section to remove the blower.

Service parts are available from a GE Service and Parts Center.



*READ AND FOLLOW THIS SAFETY INFORMATION CAREFULLY.*

**READ AND SAVE THESE INSTRUCTIONS**

## RAISE/LOWER Switch (30" models only)

Turn the downdraft blower **ON** by pressing the **RAISE/LOWER** switch located at the top right of the vent (on some models). Place your finger on the "center" of the switch and hold until you observe the vent moving, then release. The air vent will rise. Use the selector switch to turn the blower **ON, OFF** or to change the blower speed.

The vent may be lowered by again pressing the **RAISE/LOWER** switch at the top right side of the vent. The blower, if left on, will automatically go off when the vent is lowered.

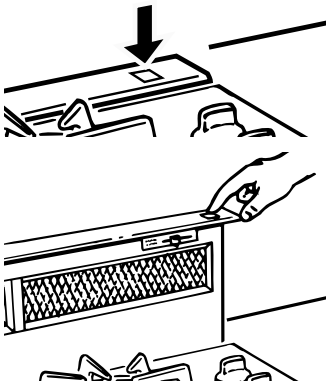
**NOTE:** For most convenient operation, set the blower to the speed you use most often. The blower will come on to this speed whenever the unit is raised.

## Remote RAISE/LOWER switch (36" models only)

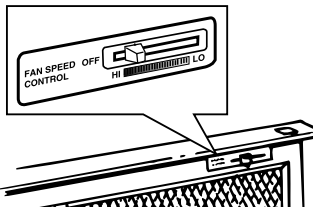
36" models have a remote **RAISE/LOWER** switch. It operates in the same manner as the switch located on the vent.



RAISE/LOWER switch location may vary.



On some models, the RAISE/LOWER switch is located at the top right of the vent.



Use the selector switch to turn the blower ON, OFF or to change the blower speed.

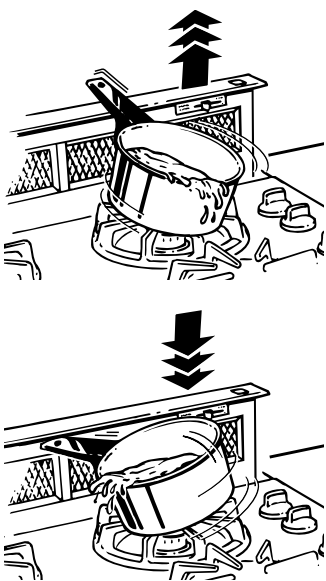
## Using the Cooktop

### ⚠ CAUTION:

Be careful when raising or lowering the downdraft. Be sure pots, pot handles and other objects are clear of the downdraft and cannot be struck or tipped by the downdraft being raised.

**NOTE:** There is a slight trim overhang at each end of the vent.

- To avoid injury, be sure fingers are clear of the downdraft cover when it is being lowered.
- Keep hands and fingers away from all downdraft parts.



## Using the downdraft system.



### Cooking Tips

The high air movement of this downdraft system can increase the cooking times for some foods. It may take longer to reach high cooking temperatures if the downdraft is turned to high right away. Adjust the fan speed for best cooking results.

For best results when heating oil for deep frying or when boiling water, use the front surface units or wait until the water is boiling or the oil is at frying temperatures before turning on the downdraft.

*The downdraft may not completely capture all the steam from pans on the front burners.*

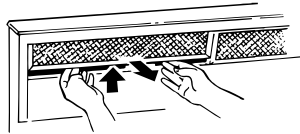
### Canning

When canning foods in a water-bath canner, a gentle but steady boil must be maintained continuously for the required time.

When canning foods in a pressure canner, the pressure must be maintained continuously for the required time.

Use of the blower at **HIGH** speed when canning may reduce the temperature enough to stop boiling. While canning, we recommend using the downdraft at **LOW** speed and using the front surface unit.

## Care and cleaning of the downdraft system.



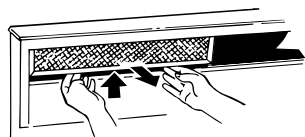
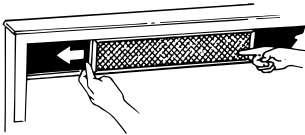
### Grease filters

*The efficiency of your downdraft depends on a clean filter.*

Frequency of cleaning depends on the type of cooking you do. Grease filters should be cleaned at least once a month.

*Never operate the downdraft without the filters in place.*

**To remove:** Lift up and pull the bottom out. Remove the left filter first, then slide the right filter to the left and remove it.



**To clean:** Soak and then agitate in a hot detergent solution. Light brushing may be used to remove imbedded soil. Rinse, shake and remove moisture before replacing. Filters may be cleaned by placing in dishwasher, although some slight color fading may occur after several washings.

With careful handling, the filter will last for years. If replacement becomes necessary, order the part from your dealer.

### Painted or metal surfaces

*Do not use a steel-wool pad; it will scratch the surface.*

To clean the stainless steel surface, use a hot, damp cloth with a mild detergent suitable for stainless steel surfaces. Use a clean, hot, damp cloth to remove soap. Dry with a dry, clean cloth.

If food soil remains, try a general kitchen cleaner, such as Fantastik®, Simple Green®, or Formula 409®.

For hard-to-clean soil, use a standard stainless steel cleaner, such as Bon-Ami® or Cameo®.

Apply cleaner with a damp sponge. Use a clean, hot, damp cloth to remove cleaner. Dry with a dry, clean cloth. Always scrub lightly in the direction of the grain.

After cleaning, use a stainless steel polish, such as Stainless Steel Magic®, Revere Copper and Stainless Steel Cleaner®, or Wenol All Purpose Metal Polish®. Follow the product instructions for cleaning the stainless steel surface.

# Installation of the downdraft system. *Read these instructions completely and carefully.*

**WARNING—TO REDUCE THE RISK OF FIRE, ELECTRIC SHOCK, OR INJURY TO PERSONS, OBSERVE THE FOLLOWING:**

**A.** Installation work and electrical wiring must be done by qualified persons(s) in accordance with all applicable codes and standards, including fire-rated construction.

**B.** Ducted fans must always be vented to the outdoors.

**WARNING—To reduce the risk of fire, use only metal ductwork.**



## Before You Begin

**IMPORTANT:** Save these instructions for the local electrical inspector's use.

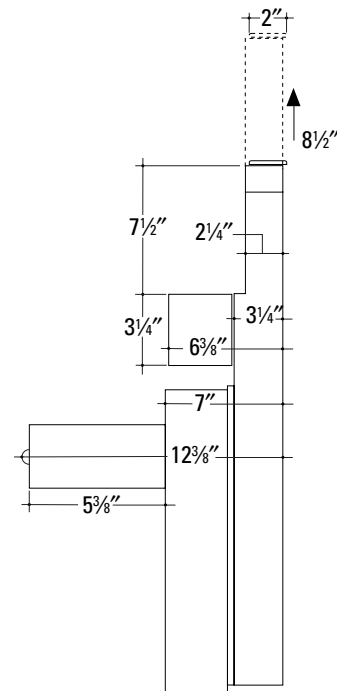
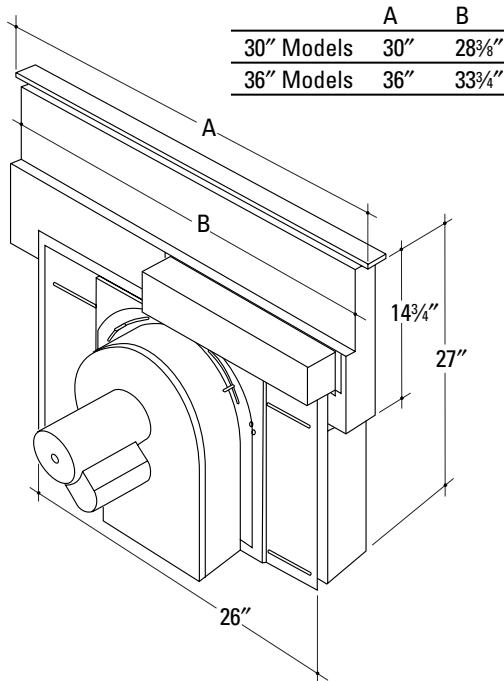
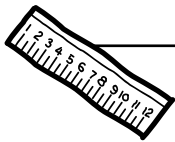
**IMPORTANT: OBSERVE ALL GOVERNING CODES AND ORDINANCES.**

**NOTE TO INSTALLER:** Leave these instructions with the appliance after installation is completed.

**NOTE TO CONSUMER:** Keep this Owner's Manual and Installation Instructions for future use.

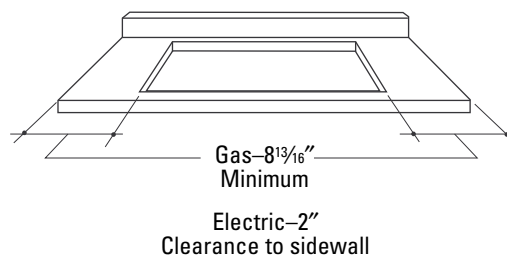
**NOTE:** This appliance must be properly grounded.

## Product Dimensions



## Clearances

**CAUTION:** Wall coverings, countertops and cabinets should withstand 200°F. heat generated by any cooktop.



## Installation of the downdraft system. Read these instructions completely and carefully.

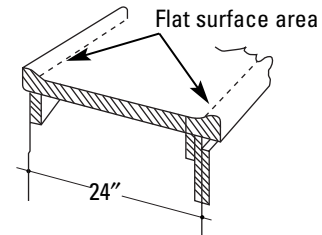
**IMPORTANT:** These vents are recommended for island installations. Against-the-wall installations are limited due to countertop depth requirements. The vent and cooktop combined depth requires an extra deep flat countertop surface.

- The countertop must be at least 26" deep with a flat surface area of 23½" or more, front to back (**NOTE:** JGP932S requires 23¾" flat surface area and JP350SC, JP930SC and JP938SC require 23⅝" flat surface area).

In addition, other clearances to the front edge of the countertop must be considered.

- See specific cutout illustrations with your cooktop model to determine requirements.

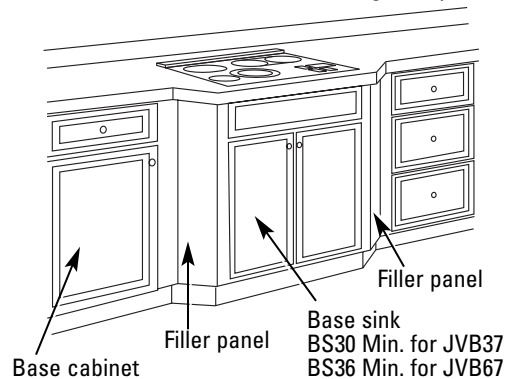
- A countertop with a raised lip or rolled front edge may not allow enough flat area for installation.



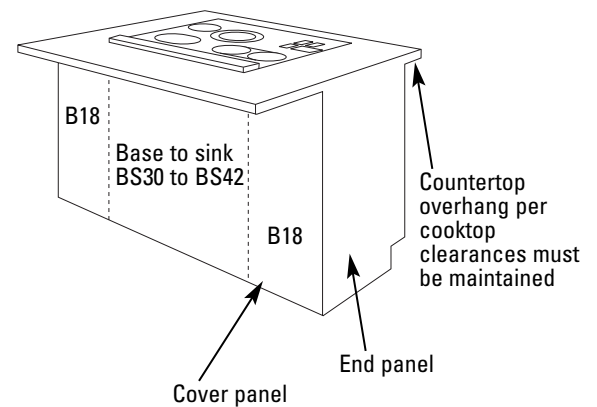
### Installation Possibilities

When the kitchen design calls for an against the wall installation, move 24" deep base cabinet forward, 3" to 5". Filler panels can be angled or flat to fill the space between adjacent cabinets.

Maintain cutout clearances to front edge as specified



In an island or peninsula, the countertop can be extra deep to provide seating opposite of the cooktop. Adding base cabinets on each side of the cooktop provides extra storage and countertop work space.



### Advance Planning—Clearances

- Installation must conform with local codes.
- The downdraft system with blower, motor and duct work will occupy the cabinet below the countertop and cooktop.
- The blower/motor assembly can be located below the cabinet floor. The assembly will fit between 16" floor joists.
  - In this installation a transition to 6" round is required.
- The blower motor assembly can also be installed outdoors. Order JXBC57 for remote blower installations outdoors.
- Refer to "Cooktop Clearances" for information on appropriate placement and necessary clearances when planning installation.
- Refer to your specific cooktop installation instruction for other appropriate clearances.
- Avoid placing cabinetry directly above the cooking surface when possible.

#### If cabinetry is used above the cooking surface:

- Installation must conform with local codes.
- Use cabinets no more than 13" deep.
- Maintain 30" minimum clearance between cooktop and unprotected cabinets directly above cooktop.
- If clearance is less than 30", protect cabinet bottoms with flame-retardant millboard at least 1/4" thick or gypsum board at least 3/16" thick covered with 28 gauge sheet steel or .02" thick copper.
- Clearance between cooktop and protected cabinetry must not be less than 24."

**EXCEPTION:** Installation of a listed microwave oven or cooking appliance over the cooktop shall conform to the installation instructions packed with that appliance.

- Working areas adjacent to the cooktop should maintain 18" minimum clearance between countertop and cabinet bottom.

## Advance Planning—Ductwork

Prepare ductwork to vent to the outdoors.

- Use the shortest and straightest duct run possible.
  - The maximum permissible length for duct run is 150 feet.
  - Refer to *Duct Fittings* chart to calculate equivalent length for various duct configurations.

- The downdraft blower system is designed to use 3¼" x 10" ductwork. It can be transitioned to 6" round.
- Ductwork **MUST** be vented to the outside—never into a crawl space, attic or other enclosed space.
- Determine the need for a wall cap or roof cap. Order the cap in advance.

## Advance Planning—Electrical and Gas Location

Plan the placement of the electrical outlet and gas (if used) carefully. Gas or electrical outlets cannot be placed on the back wall of the cabinet because it may interfere with the downdraft plenum.

- Install a standard electrical outlet within reach of the vents' two foot long power cord.

-The vent and a gas cooktop combination can operate from the same 120 volt standard duplex outlet.

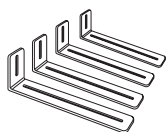
-Electric cooktops must operate from a separate 240 volt junction box.

## Tools and Materials Required

- Large flat-blade screwdriver
- Jig saw
- Carpenter's square
- Ductwork to suit the installation

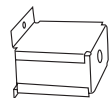
## Parts Supplied

Open the carton and remove parts package. Check contents to be sure all pieces are present. (The parts package may be attached to the power cord.)



4 Stabilizing brackets (all models)

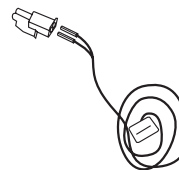
Remote raise/lower assembly (for 36" wide models only)



Wire box and screws



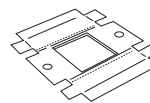
Plastic strain relief



Wire and white connector



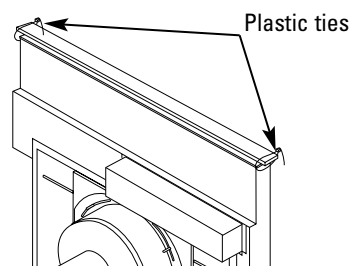
Switch cover plate



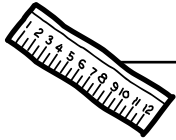
Attachment bracket

## Remove Packaging

- Remove the shipping materials and the carton; set carton aside. The carton can be used as a pad when changing or adjusting vent direction.
- Remove the plastic ties on both ends at the top of the vent.



# Installation of the downdraft system. Read these instructions completely and carefully.

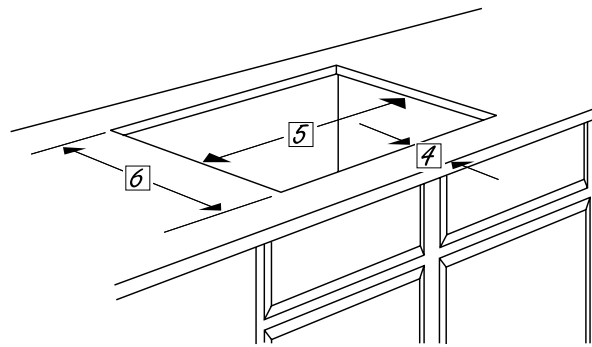
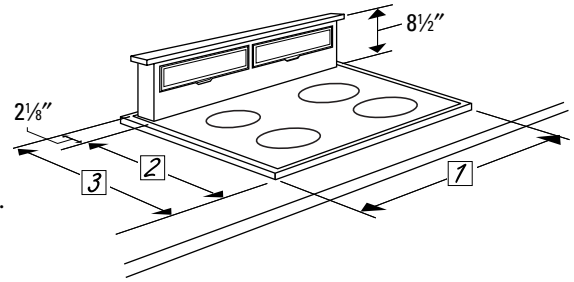


## 30" Cooktops/Downdraft Unit JVB37

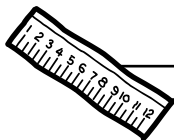
**NOTE:** Before you begin: Measure and mark Dimension 3 to ensure that adequate flat countertop surface is available.

■ Identify the cutout illustration for the cooktop model you are installing with this downdraft vent.

- Draw lines on the countertop to follow as a cutting guide.
- Make sure sides of the opening are parallel and rear and front cuts are exactly perpendicular to sides.



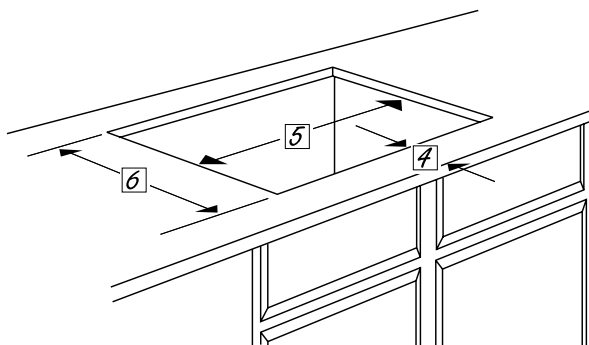
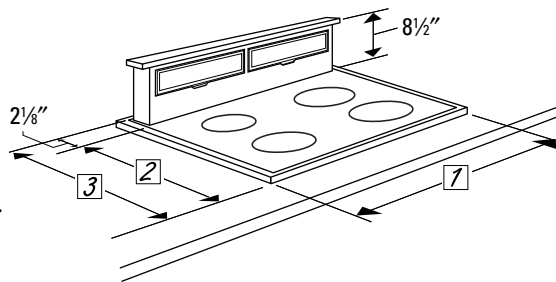
Model No.	Planning Installation 30" Electric & Gas Cooktops with Downdraft Vents				Preparing Cutout	
	1 Overall Width	2 Cooktop Surface Overall Depth	3 Surface Depth with Downdraft	4 Minimum Setback Cutout to Front Edge	5 Combined Cutout Width	6 Combined Cutout Depth
JP326	30-1/4"	21-1/4"	23-3/8"	2-1/2"	28-1/2"	22-3/8"
JP340 JP350 JP360 JP930 JP938	29-3/4"	20-7/8"	23"	2-1/2"	28-1/2"	22-1/4"
JP350SC JP930SC JP938SC	29-7/8"	21-1/2"	23-5/8"	2-1/2"	28-1/2"	22-9/16"
JGP328 JGP933	30"	21"	23-1/8"	2-1/2"	28-1/2"	22-5/16"
JGP336	30"	21"	23-1/8"	3-1/4"	28-1/2"	22-1/8"
JGP932	29-3/4"	21"	23-1/8"	2-1/2"	28-1/2"	22-5/16"
JGP932S	29-7/8"	21-5/8"	23-3/4"	2-1/2"	28-1/2"	22-5/8"



## 36" Cooktops/Downdraft Unit JVB67

**NOTE:** Before you begin: Measure and mark Dimension 3 to ensure that adequate flat countertop surface is available.

- Identify the cutout illustration for the cooktop model you are installing with this downdraft vent.
- Draw lines on the countertop to follow as a cutting guide.
- Make sure sides of the opening are parallel and rear and front cuts are exactly perpendicular to sides.



### Planning Installation 36" Electric & Gas Cooktops with Downdraft Vents

### Preparing Cutout

Model No.	1 Overall Width	2 Cooktop Surface Overall Depth	3 Surface Depth with Downdraft	4 Minimum Setback Cutout to Front Edge	5 Combined Cutout Width	6 Combined Cutout Depth
JP626	35-1/2"	21"	23-1/8"	2-1/2"	33-7/8"	21-15/16"
JP960 JP968	36"	20-3/8"	22-1/2"	2-1/2"	33-7/8"	22-1/8"
JP960S JP968S	36-1/8"	21"	23-1/8"	2-1/2"	33-7/8"	22-1/16"
JGP628 JGP963	36"	21"	23-1/8"	2-1/2"	33-7/8"	22-1/16"
JGP636	36"	21"	23-1/8"	3-1/4"	34"	21-15/16"
JGP962	36"	20-7/16"	22-9/16"	2-1/2"	33-7/8"	21-13/16"
JGP962S JGP963S	36-1/8"	21-1/16"	23-3/16"	2-1/2"	33-7/8"	22-1/8"

**Installation of the downdraft system.** Read these instructions completely and carefully.

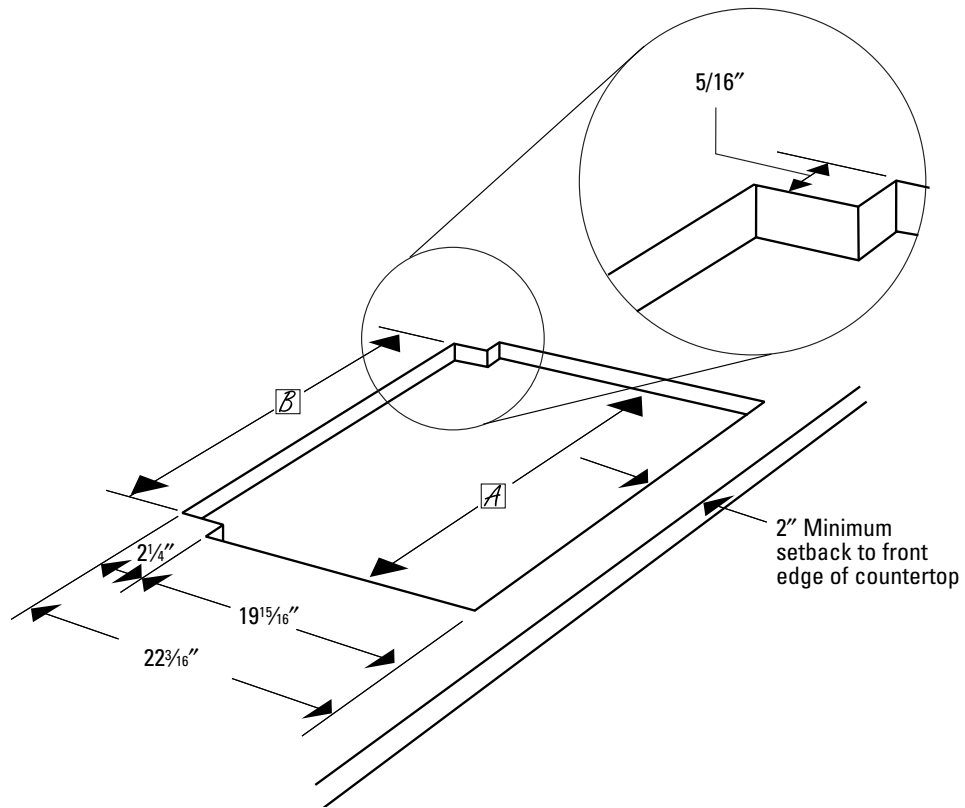
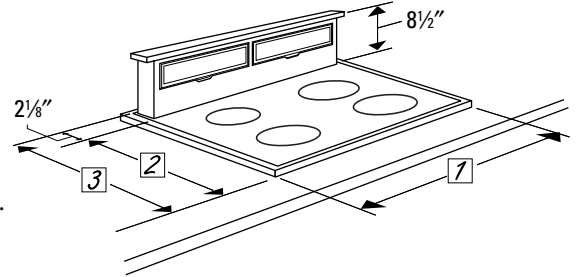
**30" Induction Cooktops with Downdraft Unit JVB37**  
**36" Induction Cooktops with Downdraft Unit JVB67**



**NOTE:** Before you begin: Measure and mark  $22\frac{7}{8}$ " (Dimension 3) to ensure that adequate flat countertop surface is available.

■ Identify the cutout illustration for the cooktop model you are installing with this downdraft vent.

- Draw lines on the countertop to follow as a cutting guide.
- Make sure sides of the opening are parallel and rear and front cuts are exactly perpendicular to sides.



Model No.	Planning Installation 30" Electric & Gas Cooktops with Downdraft Vents			Preparing Cutout	
	1 Cooktop Surface Overall Width	2 Cooktop Surface Overall Depth	3 Surface Depth with Downdraft	A Cooktop Cutout Width	B Vent Cutout Width
JP392 JP393	30"	20-3/4"	22-7/8"	29-1/8"	28-1/2"
JP692 JP693	35-1/2"	20-3/4"	22-7/8"	34-5/8"	34"

### Power Supply

This downdraft vent must be supplied with 120V, 60Hz., and connected to an individual, properly grounded branch circuit, protected by a 15 or 20 ampere circuit breaker or time delay fuse.

### Gas Cooktops

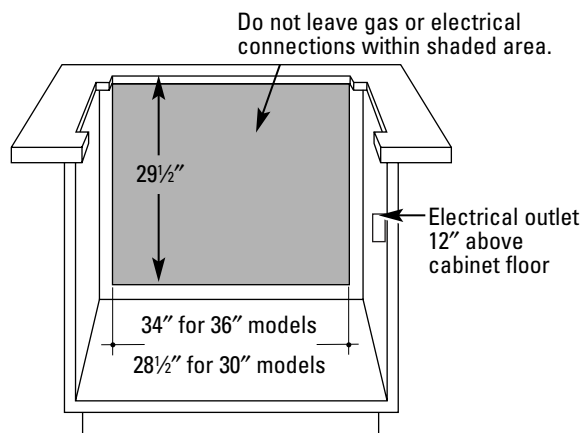
If this vent is installed in combination with a gas cooktop, it may operate from the same duplex outlet.

### Electric Cooktops

If this vent is installed in combination with an electric cooktop, the vent must operate from a separate 120V outlet.

- A properly grounded 3-prong receptacle should be located within reach of the vents' two foot power cord.

—Locate the receptacle inside the cabinet on the right side wall. The receptacle cannot be placed on the back of the cabinet wall where it may interfere with the downdraft plenum. See illustration.



Do not use an extension cord or adapter plug with this appliance. Follow National electrical codes or prevailing local codes and ordinances.

### Ductwork Length and Dust Fittings

**NOTE:** Do not exceed 150' maximum permissible equivalent lengths!

Flexible ducting: If flexible metal ducting is used, all equivalent feet values in the table should be doubled. The flexible metal duct should be straight and smooth and extended as much as possible.

**DO NOT** use flexible plastic ducting.

Add equivalent lengths for all duct pieces and transitions used to ensure that the duct run does not exceed the maximum 150'.

Duct Pieces	Equivalent Length*	Duct Pieces	Equivalent Length*	Duct Pieces	Equivalent Length*
6" Round Straight	1 ft. (per foot length)	3/4" x 10" 45° Elbow	5 ft.	3/4" x 10" to 6" Round Transition 90° Elbow	12 ft.
3/4" x 10" Straight	1 ft. (per foot length)	3/4" x 10" 90° Flat Elbow	24 ft.	6" Round Wall Cap with Damper	21 ft.
6" 90° Elbow	15 ft.	6" Round to 3/4" x 10" Transition	7 ft.	3/4" x 10" Wall Cap with Damper	27 ft.
6" 45° Elbow	9 ft.	3/4" x 10" to 6" Round Transition	5 ft.	6" Round Roof Cap	20 ft.
3/4" x 10" 90° Elbow	16 ft.	6" Round to 3/4" x 10" Transition 90° Elbow	20 ft.	6" Round Roof Vent	24 ft.

**SHOULD NOT EXCEED 150 EQUIVALENT FT.**

\*Equivalent lengths of duct pieces are based on actual tests conducted by GE Evaluation Engineering and reflect requirements for good venting performance. See chart for CFM Duct Length.

# Installation of the downdraft system. Read these instructions completely and carefully.

## Venting Options

### Side to side adjustments:

The entire blower mounting plate can be adjusted 3½" to the left or right. This will help to align vent discharge to house ductwork.

### 30° Rotation

For even more flexibility, the entire blower can be rotated up to 30° toward the left or 30° toward the right.

### Discharge direction

The blower assembly may be removed and turned 90° for a left or right side discharge.

- The downdraft vent is shipped with the discharge outlet pointing straight down and can be changed to the left or right side.
- A left or right 90° direction adjustment should be performed before dropping into the countertop opening.
- Flatten the shipping box to use as a pad.
- Lay the vent on its back onto the pad.

### To change to a left or right discharge:

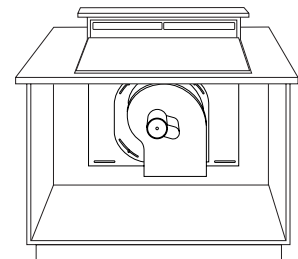
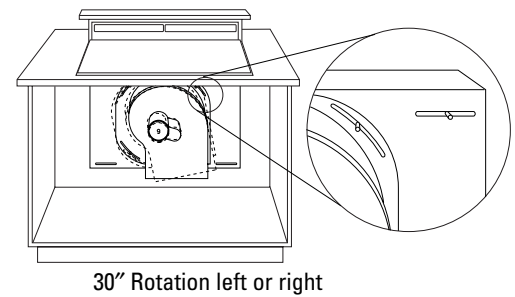
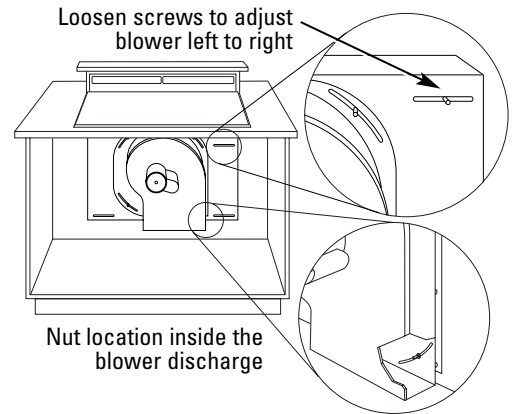
- a Remove 4 nuts holding the blower to the mounting plate. See illustration. One nut is just inside the blower discharge.
- b Remove and turn the blower to the right or left.
- c Reinstall the 4 nuts.

### To locate the ductwork holes in the cabinet floor or side walls:

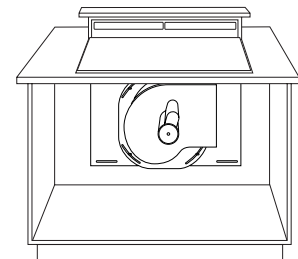
- a Temporarily, place vent into the countertop opening.
- b Push the vent all the way to the back of the opening.
- c If you are transitioning to 6" round, place transition piece over the discharge outlet.
  - Mark the location and remove the assembly.
  - Cut holes and install ductwork connections.

Order JXR57 for installation of the blower and motor below the floor:

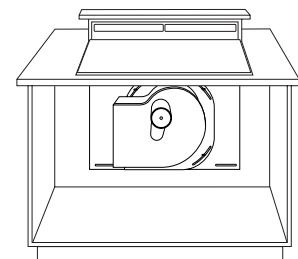
Order JXBC57 for installation of the blower and motor outdoors.



Discharge down  
(as supplied)

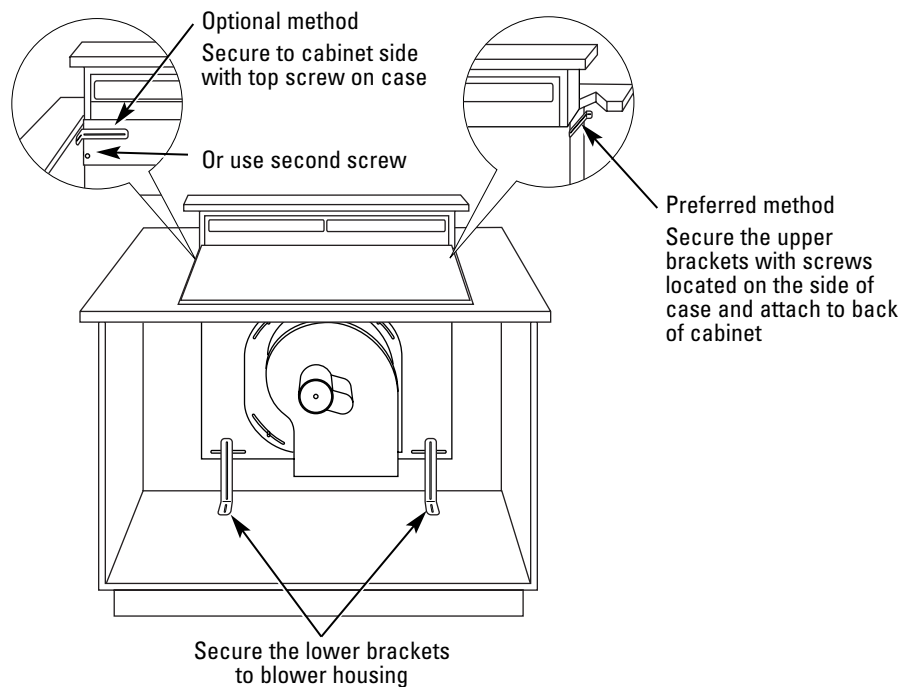


Discharge right



Discharge left

## 1 Install Downdraft Vent



Place the downdraft vent into the countertop cutout, against the back side.

- a** Secure the downdraft to the countertop supplied brackets. See illustration.
- b** Fasten brackets to top screws on the front side of the vent, secure to cabinet side wall just below the countertop. Or,

Fasten one bracket to vent side and secure to cabinet back wall.

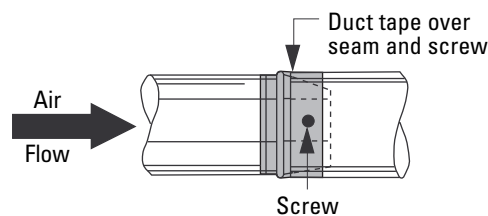
- c** Install two brackets on the bottom of the vent. Attach brackets to slide screws on the vent and to the floor using wood screws (not supplied).

When installing in a tile countertop surface, it may be necessary to apply a locally approved caulking to cover any gaps.

## 2 Install the Ductwork

Use minimum 26" gauge galvanized or 24 gauge aluminum duct 3¼" x 10" or 6" round. PVC duct should be used if installing under a poured concrete slab.

- **DO NOT USE** flexible ducting.
- Always use appropriate roof or wall cap with damper. Laundry type wall caps should never be used.
- Use the straightest duct run possible.
- For satisfactory performance the duct run should not exceed 150 ft. or its equivalent length when bends or various fittings are used. Refer to the table of equivalent lengths to calculate your installation.



- Install ductwork so the piece of duct nearest the downdraft unit slots **INTO** the next piece of the duct. Secure the joints with self-tapping screws and apply duct tape around the joints to ensure an airtight seal.

# Installation of the downdraft system. Read these instructions completely and carefully.

Step 3 is for 36" wide models only. Skip this step if installing a 30" model.

## 3 Install Raise/Lower Switch

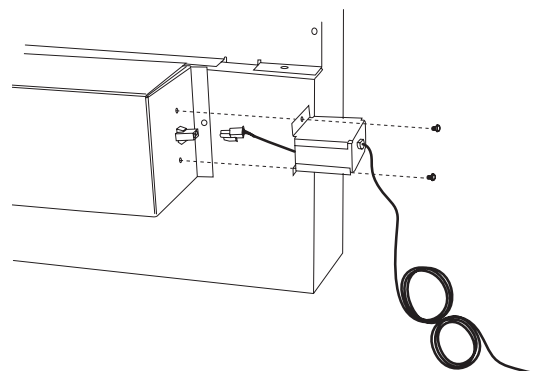
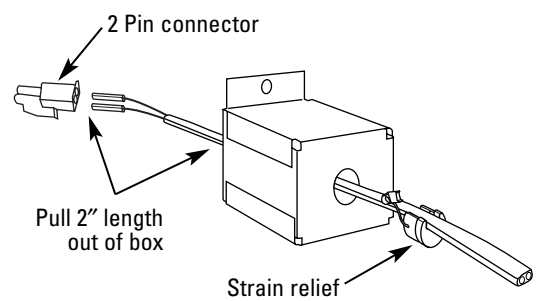
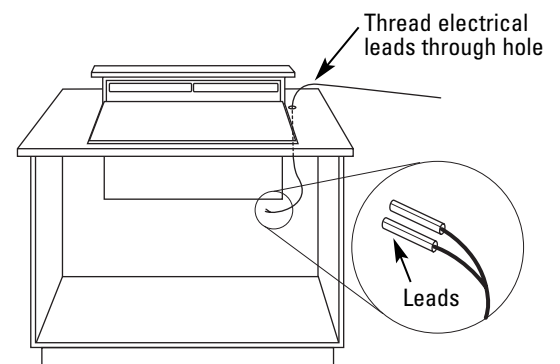
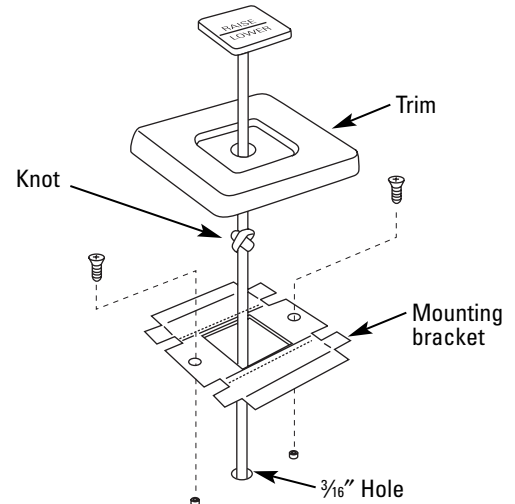
**WARNING:** Disconnect electrical power from the unit before beginning switch installation. Failure to do so could result in personal injury or damage to the electrical controls.

Determine the location for the RAISE/LOWER switch. The wiring lead is 72" long.

- Drill a 3/16" hole into the desired location.
  - If the switch is mounted into a tile surface, drill the hole between the tiles. Use locally approved caulking to cover any gaps.
- Center the mounting bracket over the hole and mark pilot holes. Remove the bracket and drill pilot holes.
- Mount the metal switch bracket with screws (not provided, choose screws for your type of countertop or use locally approved adhesive).
- Tie a knot in the lead as close to the switch as possible. This will prevent the lead from being pulled away from the switch.
- Thread the wire lead through the trim mounting bracket and the top of the countertop as shown.
- Pull the wire through the hole from the underside of the countertop and thread the wire lead into the end of the wire box.
- Peel film from the back of the cover trim to expose the adhesive. Press trim onto the mounting bracket to set the adhesive.
- Peel film from the back of the **RAISE/LOWER** pad to expose the adhesive. Align with the impression and press to set the adhesive.
- Remove protective coating from the top of the trim frame.

**IMPORTANT:** Do **NOT** connect wire leads to white connector until you have threaded the lead through the countertop hole and through the end of the wire box.

- Push wire metal leads into the white connector plug. Pull wire through the box leaving about 2" additional length.
- Place plastic strain relief over the wire; the wire should be flat and fit into the area. Do **NOT** pinch or twist the wire. Snap the strain relief closed.
- Push the strain relief into the hole on the wire box. It will snap into position.
- Secure wire box to vent with screws provided.
- Coil the excess wire and position away from moving parts and cabinet contents.



#### 4 Connect Power

Plug power cord into a properly grounded receptacle.

#### Installing the Cooktop

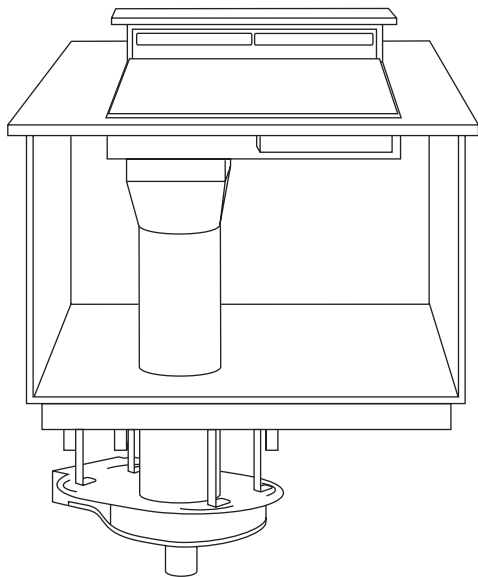
- With the Downdraft in the “Down” position, place the cooktop into the cutout.
- Push the cooktop back until the back edge of the cooktop just barely touches the front edge of the downdraft cover.
- Using a dime as a thickness gauge, align the cooktop so that there is a minimum uniform gap of 0.05” (the thickness of a dime) between the cooktop and the downdraft cover.

**NOTE:** Do not force the downdraft cover to move rearward when aligning the cooktop. This may cause the downdraft cover to impact and damage the cooktop when the vent is raised and lowered.

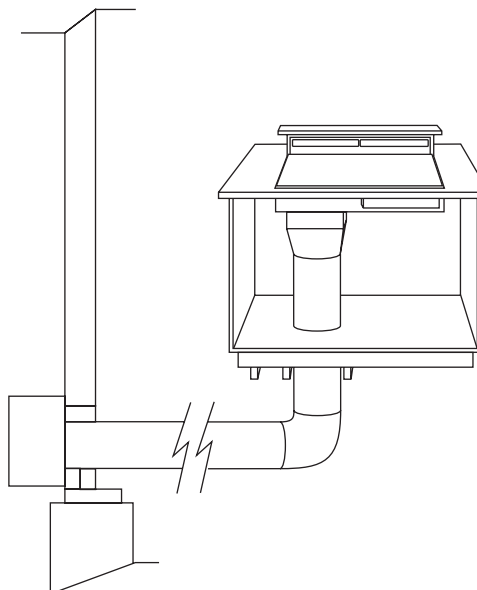
#### NOTES:

- Accurate alignment of cooktop and downdraft is necessary to ensure that there is no interference when air vent is raised and lowered. There should be a gap of 0.05” (the thickness of a dime) between the back edge of the cooktop and the front edge of the downdraft cover.
- Radiant cooktops cannot be flush mounted when using this downdraft vent.

#### Optional Kits



**JXRB57** optional accessory for indoor remote location of the blower/motor assembly. Use this kit when the blower and motor assembly will be located outside or below the cabinet floor.



**JXBC57** optional outdoor cover accessory for remote installation of blower and motor assembly on an outside wall.

## Before You Call For Service...



### Troubleshooting Tips

Save time and money! Review the tips below and you may not need to call for service.

<b>Problem</b>	<b>Possible Causes</b>	<b>What To Do</b>
<b>Fan does not work</b>	The vent is not fully extended	<ul style="list-style-type: none"> <li>• Press the <b>RAISE/LOWER</b> switch.</li> </ul>
	The blower control switch may be in the <b>OFF</b> position	<ul style="list-style-type: none"> <li>• Slide it to the right.</li> </ul>
<b>Vent does not rise</b>	Vent not plugged into an outlet	<ul style="list-style-type: none"> <li>• Plug vent in.</li> </ul>
	<b>RAISE/LOWER</b> switch did not engage lift motor	<ul style="list-style-type: none"> <li>• Hold switch down for a couple of seconds to activate motor.</li> </ul>
	Circuit breaker may have tripped	<ul style="list-style-type: none"> <li>• Check circuit breaker—Reset if necessary.</li> </ul>

# GE Downdraft System Warranty.



All warranty service provided by our Factory Service Centers, or an authorized Customer Care® technician. To schedule service, on-line, 24 hours a day, contact us at [www.GEAppliances.com](http://www.GEAppliances.com), or call 800-GE-CARES.

Staple your receipt here.  
Proof of the original purchase date is needed to obtain service under the warranty.

## For The Period Of: GE Will Replace:

### One Year

From the date of the original purchase

**Any part** of the downdraft system which fails due to a defect in materials or workmanship.

During this **full one-year warranty**, GE will also provide, **free of charge**, all labor and in-home service to replace the defective part.

## What GE Will Not Cover:

- Service trips to your home to teach you how to use the product.
- Improper installation.
- Failure of the product if it is abused, misused, or used for other than the intended purpose or used commercially.
- Replacement of house fuses or resetting of circuit breakers.
- Replacement of the replaceable filters.
- Damage to the product caused by accident, fire, floods or acts of God.
- Incidental or consequential damage caused by possible defects with this appliance.

*This warranty is extended to the original purchaser and any succeeding owner for products purchased for home use within the USA. In Alaska, the warranty excludes the cost of shipping or service calls to your home.*

*Some states do not allow the exclusion or limitation of incidental or consequential damages. This warranty gives you specific legal rights, and you may also have other rights which vary from state to state. To know what your legal rights are, consult your local or state consumer affairs office or your state's Attorney General.*

*If you have an installation problem, contact your dealer or installer. You are responsible for providing adequate electrical, gas, exhausting and other connecting facilities as described in the Installation Instructions provided with the product.*

**Warrantor: General Electric Company, Louisville, KY 40225**

Safety Instructions

Operating Instructions

Installation Instructions

Troubleshooting Tips

Consumer Support

## Consumer Support.

---



### *GE Appliances Website*

[www.GEAppliances.com](http://www.GEAppliances.com)

Have a question or need assistance with your appliance? Try the GE Appliances Website 24 hours a day, any day of the year! For greater convenience and faster service, you can now download Owner's Manuals, order parts, catalogs, or even schedule service on-line. You can also "Ask Our Team of Experts™" your questions, and so much more...



### *Schedule Service*

[www.GEAppliances.com](http://www.GEAppliances.com)

Expert GE repair service is only one step away from your door. Get on-line and schedule your service at your convenience 24 hours any day of the year! Or call 800-GE-CARES (800-432-2737) during normal business hours.



### *Real Life Design Studio*

[www.GEAppliances.com](http://www.GEAppliances.com)

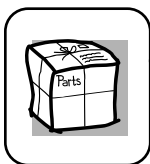
GE supports the Universal Design concept—products, services and environments that can be used by people of all ages, sizes and capabilities. We recognize the need to design for a wide range of physical and mental abilities and impairments. For details of GE's Universal Design applications, including kitchen design ideas for people with disabilities, check out our Website today. For the hearing impaired, please call 800-TDD-GEAC (800-833-4322).



### *Extended Warranties*

[www.GEAppliances.com](http://www.GEAppliances.com)

Purchase a GE extended warranty and learn about special discounts that are available while your warranty is still in effect. You can purchase it on-line anytime, or call 800-626-2224 during normal business hours. GE Consumer Home Services will still be there after your warranty expires.

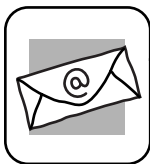


### *Parts and Accessories*

[www.GEAppliances.com](http://www.GEAppliances.com)

Individuals qualified to service their own appliances can have parts or accessories sent directly to their homes (VISA, MasterCard and Discover cards are accepted). Order on-line today, 24 hours every day or by phone at 800-626-2002 during normal business hours.

**Instructions contained in this manual cover procedures to be performed by any user. Other servicing generally should be referred to qualified service personnel. Caution must be exercised, since improper servicing may cause unsafe operation.**



### *Contact Us*

[www.GEAppliances.com](http://www.GEAppliances.com)

If you are not satisfied with the service you receive from GE, contact us on our Website with all the details including your phone number, or write to: General Manager, Customer Relations  
GE Appliances, Appliance Park  
Louisville, KY 40225



### *Register Your Appliance*

[www.GEAppliances.com](http://www.GEAppliances.com)

**Register your new appliance on-line—at your convenience!** Timely product registration will allow for enhanced communication and prompt service under the terms of your warranty, should the need arise. You may also mail in the pre-printed registration card included in the packing material, or detach and use the form in this Owner's Manual.