



Revolutionary top-load washer
will change the way you do laundry.

The Maytag® Neptune® TL Washer

The top-load washer without an agitator offers both —
superior cleaning and gentle care.

**Introducing the new Maytag® Neptune® TL washer,
the best-cleaning top-load washer you can buy.***

The Maytag® Neptune® TL high-efficiency washer is the only top-load washer that tumbles clothes clean. We completely removed the agitator and created a revolutionary tumbling wash motion that offers superior cleaning that's gentle on clothes. **So you don't have to compromise.**



* Among leading brands of top-load washers, normal wash cycle, maximum wash time.

It's a significant breakthrough in **top-load** washer technology.

Thanks to two revolutionary components, no other top-load washer cleans better.*



This washer starts cleaning before the tumbling begins.

As the tub spins, our unique dispenser showers a safe detergent mixture evenly throughout the load for better cleaning.** Bleach and fabric softener are automatically released at just the right time and concentration for best results.



TumbleClean™ wash motion spares clothes the wear and tear.

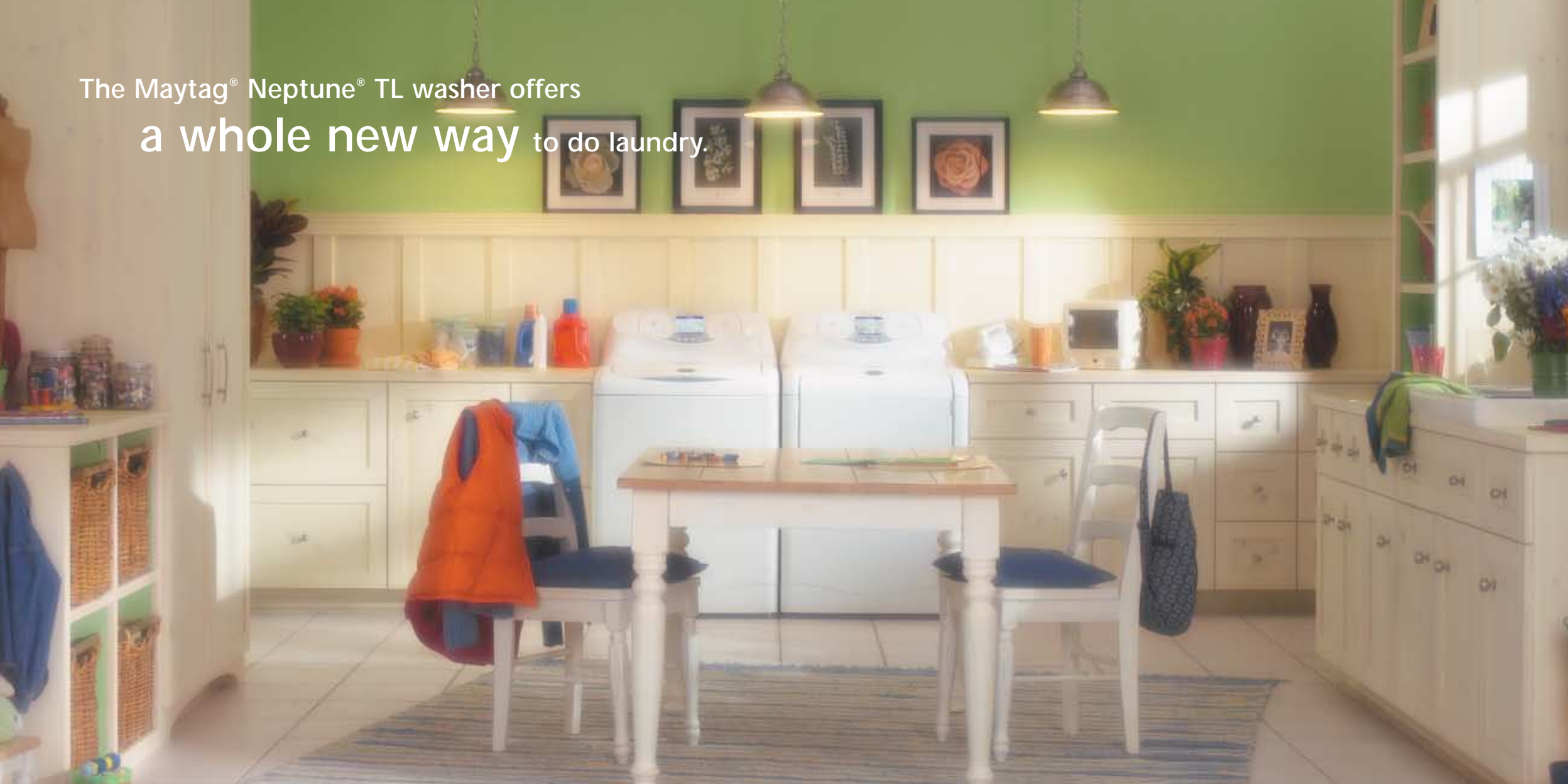
Instead of an agitator, two tumblers gently lift and submerge clothes through a pool of detergent and water. Your clothes are spared the rough action of an agitator, which helps protect your clothing investment.

*Among leading brands of top-load washers, normal wash cycle, maximum wash time.

**Compared to other top-load washers.



The Maytag® Neptune® TL washer offers
a whole new way to do laundry.



“There are no compromises when it comes to taking care of my family.”



High Efficiency

It saves up to \$165 each and every year* in water and energy. Plus, fast spin speeds reduce drying time and energy costs.



Convenient Top-Load Design

The super-large lid and sloped-front cabinet make it easy to load and unload. And there's no agitator to maneuver oversized items around.



Custom Cycles

The Cycle Library™ lets you choose the ideal wash cycle from 24 preprogrammed fabric care cycles optimized for today's fabrics — including wool, silk and spandex. *(Select models.)*



Oversize Capacity Plus

Without the agitator, there's extra space in the washtub to fit big, bulky items like bedspreads — so you don't have to take them to the dry cleaner.

*Based on D.O.E. test method compared to a competitive conventional washer, 10 loads per week, average water and sewer rates, 2000 electrical energy rate and dryer savings. Savings will vary depending on utility rates, model replaced and usage.

Maytag® Neptune® TL Washers



Model FAV9800 LCD Washer

- LCD Touchscreen Controls: Cycle Library™, StainBrain™ Guide, Favorite Cycles, Laundry Hints And Tips Guide, Before You Call Guide
- 24 Cycles
- 1,000 RPM Maximum Spin Speed
- AutoTemp™ Internal Water Heater
- 8 Water Temperature Combinations



Model FAV6800 LED Washer

- Easy-To-Use LED Touch-Pad Controls
- 11 Cycles
- 5 Water Temperature Combinations

Exterior
Color Options



White Bisque

Maytag® Neptune® Dryers



Model MDE/G9800 LCD Dryer

- LCD Touchscreen Controls: Favorite Cycles, Laundry Hints And Tips Guide, Before You Call Guide
- Remind And Damp Dry Chimes
- Freshen-Up And Dryel® Cycles

Dryel® is a registered trademark of Procter & Gamble.



Model MDE/G6800 LED Dryer

- Easy-To-Use LED Touch-Pad Controls

Exterior
Color Options



White Bisque

Leading the way in laundry



The Maytag® Neptune® brand represents our very best.

Our super-premium washers and dryers offer industry-changing breakthroughs in technology that help solve the laundry challenges faced by our most demanding customers.

You want it all, and Maytag® Neptune® washers and dryers deliver — offering outstanding cleaning, gentle clothes care, super-large capacities, convenience features, energy efficiency, unique customization options and new technology that does the work for you.



You can depend on

Maytag® Neptune® TL washers and Maytag® Neptune® dryers.

Maytag® Neptune® TL Washer And Maytag® Neptune® Dryer Warranties

- Lifetime** Free parts on replacement of stainless steel inner wash basket.
- 10 Years** Free parts on replacement of washer motor; outer tub; sealed transmission; and exterior cabinet, top and lid against rust-through. Free parts on replacement of dryer exterior cabinet, including the door, DuraCushion™ tumbler, and tumbler front and back, against rust-through.
- 5 Years** Free parts on replacement of LCD and LED controls.
- 2 Years** Free parts.
- 1 Year** Free parts and labor.



As the owner of a Maytag® Neptune® TL washer or Maytag® Neptune® dryer, you are entitled to an unprecedented level of after-sale support. This unique program offers dedicated toll-free assistance. Plus, priority service scheduling should any in-home calls be required. Call toll-free **1-888-4-MAYTAG**.

See warranty for complete details.

See your Maytag® Neptune® dealer today for more information, or visit www.maytag.com.



Maytag® Neptune® TL Washers

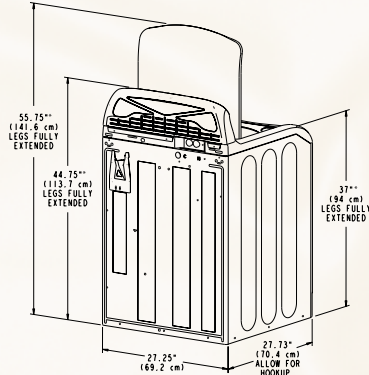
Features And Specifications

Models	FAV9800	FAV6800
FEATURES		
ENERGY STAR® Models	★	★
Capacity — cu. ft.	3.5	3.5
Controls	LCD	LED
Wastub	Stainless	Stainless
Motor Speed	Infinite	Infinite
Speed Combinations	Infinite	Infinite
TumbleClean™ Wash System	■	■
MaxExtract™ Spin Option	Plus	■
Max. Spin Speed (RPM)	1,000	850
Water Level Control	IntelliFill™	IntelliFill™
Water Temp. Combinations	8	5
AutoTemp™ Internal Water Heater	■	■
Automatic Temperature Control	■	■
Warm Rinse Option	■	■
Extra Rinse Option	■	■
Delay Wash Option	12-Hour	9-Hour
Presoak Option	■	■
Delicates Cycle	■	■
Hand Washables Cycle	■	■
Permanent Press/Wrinkle-Free	■	■
Quick Wash	■	■
Auto Bleach Dispenser	■	■
Auto Fabric Softener Dispenser	■	■
Auto Detergent Dispenser	■	■
End-Of-Cycle Chime	Adjustable	Adjustable
Trilingual Touchscreen	■	■
Time Remaining Indicator	■	■
Easy Access	■	■
Sound System	Ultra EQ™ Plus	EQ™ Plus

Overall Installation Dimensions	in. (cm)
Width	27 1/4 (69.2)
Depth*	29 1/4 (74.3)
Height To Top Of Cover	37 (94.0)
Height To Top Of Console	44 3/4 (113.7)
Height To Top Of Open Lid	55 3/4 (141.6)

*Includes 1 1/2" (3.8 cm) for utility hookup.

OVERALL PRODUCT DIMENSIONS



*Picture is shown with legs fully extended. Legs can be lowered 0.82" (2.0 cm).

MOTOR: 7/8 HP, 120-volt, 60 Hz, variable-speed, controlled induction motor.

HOSE LENGTH: Inlet: 4 feet (1.22 m); drain: 4 feet (1.22 m).

INSTALLATION REQUIREMENTS: Hot and cold water connections with water pressure within 30 – 120 p.s.i. (207 – 827 KPa) range; 120°F (49°C) to 140°F (60°C) hot water; a drain; a 120-volt, 60 Hz electrical outlet properly grounded and protected by a 15-amp fuse. Individual branch circuit serving only the washer is recommended.

WEIGHTS (Crated/Uncrated): 182 lbs. (82.6 kg) / 168 lbs. (76.2 kg).

FINAL INSTALLATION CHECKLIST

- Remove instructions and installation kit.
- Plug washer into electrical outlet, making certain it is properly grounded.
- Connect water hoses to the faucets using inlet screens and hose gasket.
- Turn on water and check for leaks at faucet and water valve connections.
- Position drain hose properly into drain facility, and check that the hose is not collapsed or damaged.
- Properly level the washer — all legs should be firmly on the floor, and leveling leg lock nuts **MUST** be tightened.
- Test for proper operation by running a cycle to include a hot wash and a cold rinse — to verify that the correct faucets were hooked up.

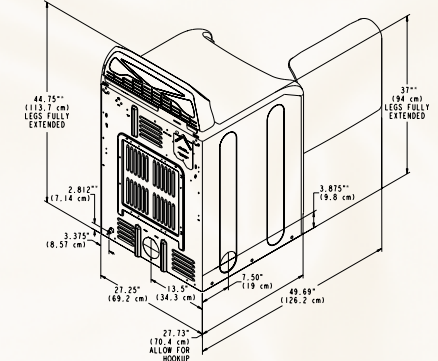
Maytag® Neptune® Dryers

Features And Specifications

Models	MDE/G9800	MDE/G6800
FEATURES		
Capacity — cu. ft.	6.0	6.0
Controls	LCD	LED
GentleBreeze™ Drying System	■	■
Dryness Control	IntelliDry®	IntelliDry®
Moisture Monitor/Sensor	■	■
Adjustable Degree Of Dryness	■	■
Temperature Settings	5	5
Sound System	Ultra EQ™ Plus	EQ™ Plus
Time Dry Cycle	■	■
Air Fluff Cycle	■	■
Dryel® Cycle	■	■
Freshen-Up Cycle	■	■
Damp Dry Cycle	■	■
Permanent Press/Wrinkle-Free Cycle	■	■
Wrinkle Prevent	On/Off	On/Off
Wrinkle Release	■	■
Low/Delicate Temperature	■	■
Ultra Care/Extra-Low Temperature	■	■
End-Of-Cycle Signal	Adjustable	Adjustable
Time Remaining Indicator	■	■
Drum Light	■	■
Drying Rack	■	■
Remind Chime	■	■
Damp Dry Chime	■	■
Smart Cool Down	■	■
Trilingual Touchscreen	■	■
Reversible Door	■	■
Extra-Large Door Opening	■	■
DuraCushion™ Dryer Drum	■	■
High-Capacity Blower	■	■
Four-Point Suspension System	■	■
Electronic Ignition W/Safety Shut-Off Valve (Gas Only)	■	■

Dryel® is a registered trademark of Procter & Gamble.

OVERALL PRODUCT DIMENSIONS



*Picture is shown with legs fully extended. Legs can be lowered 0.82" (2.0 cm).

MOTOR: 1/4 HP, 120-volt, 60 Hz, single-phase, thermally protected against overload, auto-reset.

EXHAUST: Use a minimum of 4" (10.2 cm) diameter rigid aluminum or galvanized-steel duct. Never use plastic, nonmetal or combustible duct.

HEAT SOURCE/ELECTRICAL REQUIREMENTS:
Electric model — 5,300-watt nichrome helix coil; 240-volt, AC, 60 Hz; 30-amp fuse.
Gas model — Single-port burner with automatic electric ignition; 22,000 BTU/hr., 15-amp fuse. Self-adjusting valve automatically compensates for variation in gas pressure.

WEIGHTS (Crated/Uncrated): 145 lbs. (66 kg) / 130 lbs. (59 kg).

Overall Installation Dimensions	in. (cm)
Width	27 1/4 (69.2)
Depth With Door Closed*	29 1/4 (74.3)
Depth With Door Open 90°*	51 1/4 (130.2)
Height To Top Of Cover	37 (94.0)
Height To Top Of Console	44 3/4 (113.7)

*Includes 1 1/2" (3.8 cm) for utility hookup.





Depend on us.™



Maytag, One Dependability Square • Newton, Iowa 50208
www.maytag.com • 1-888-4-MAYTAG