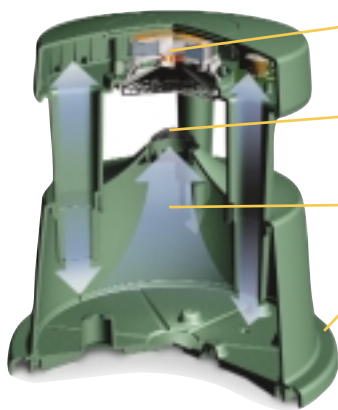


# Free Space® 51 Environmental Speakers



Discover a *new* standard in outdoor sound.

Experience the full pleasures of your favorite music practically anywhere in your yard with our most versatile outdoor speakers. On your deck or patio, by your pool or in your garden, Bose® Free Space® 51 speakers deliver a level of sound quality remarkable for an in- or on-ground speaker. . . another breakthrough from the most respected name in sound. Hide or highlight them – you'll get superb performance either way. Rugged, weather-resistant casing and driver withstand extreme heat and cold, ice, snow, wind, rain and salt fog all year round – and still deliver quality sound. Enhance your outdoor environment with the new Bose speakers that love to play outside.



**Downward-firing Bose environmental 4.5" full-range driver** withstands weather extremes all year round.

**Domed port grille** reflects sound into the listening area for clear, consistent performance.

**Centrally located port** enhances low-frequency reproduction.

**Base flange** with 3 mounting holes provides added stability when mounted or set in ground.

The Free Space 51 environmental speaker enclosure is engineered to deliver optimum performance outdoors.

**Durability you need *outdoors*.**  
**Sound you expect *indoors*.**



- Can be used as main outdoor speakers or as part of an existing system.
- Can combine with Bose 251® and/or 151® outdoor speakers for superb, wide-range sound coverage that extends from your deck or patio into key areas of your yard.
- A depth and richness from music's lower reaches that is uncommon outdoors.
- Greater flexibility in outdoor placement: can be freestanding, secured in the ground or mounted onto hard surfaces.
- Textured green color blends in with foliage in most outdoor environments.
- Sturdy, weather-resistant construction withstands loads of up to 350 lbs.
- Engineered and tested to endure snow, rain, salt and temperature extremes of 158° F (70°C) to -40° F (-40°C).
- Survived the Salt Fog test 66% longer than the demanding Marine Industry Standard.
- Base flange with mounting holes provides easy installation on decks and other hard surfaces, or added stability in the ground.
- Five-year transferable warranty is one of the strongest in the industry.

