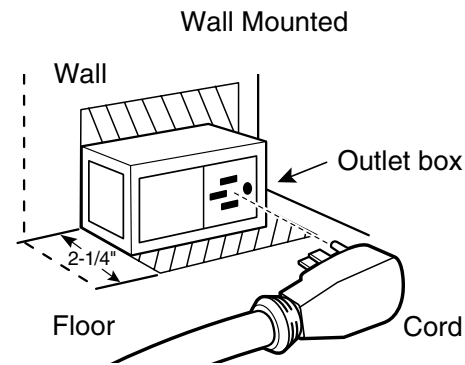
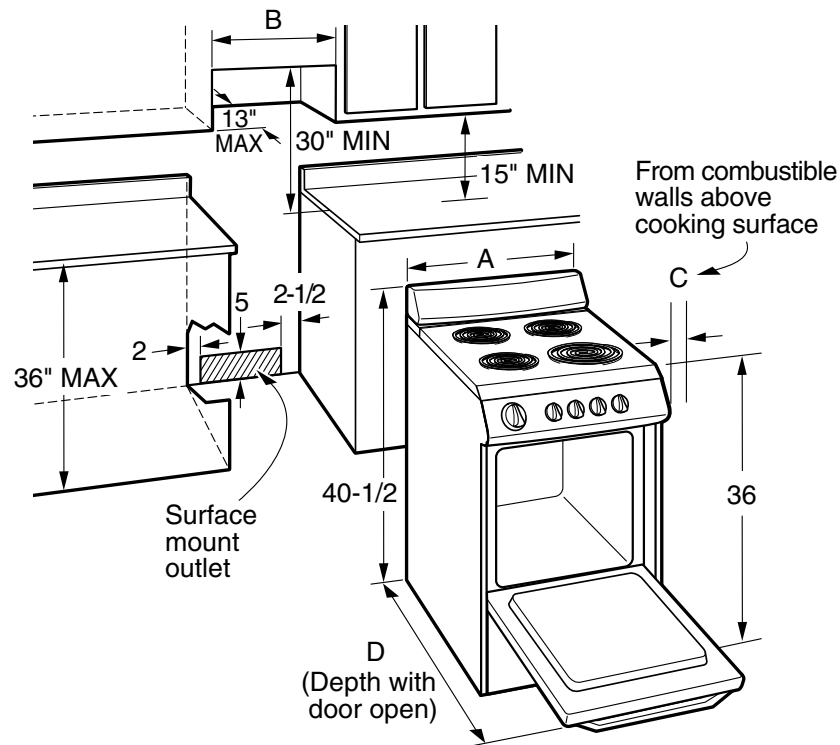


HOTPOINT®

RA724K – Hotpoint 24" Free-Standing Electric Range

Dimensions (in inches)



Recommended acceptable electrical outlet area. Orient the electrical receptacle so the length is parallel to the floor.

KW Rating	
240V	9.2
208V	6.9

Receptacle locations

Locally approved flexible service cord or conduit must be used because terminals are not accessible after range installation. See shaded area in drawings for location of electrical outlet box. Recommended outlet locations allow range to be installed directly against rear wall.

Models	A	B	C (recommended)	D
20" Wide	20"	20-3/8"	2"	41"
24" Wide	24"	24-3/8"	2"	41"

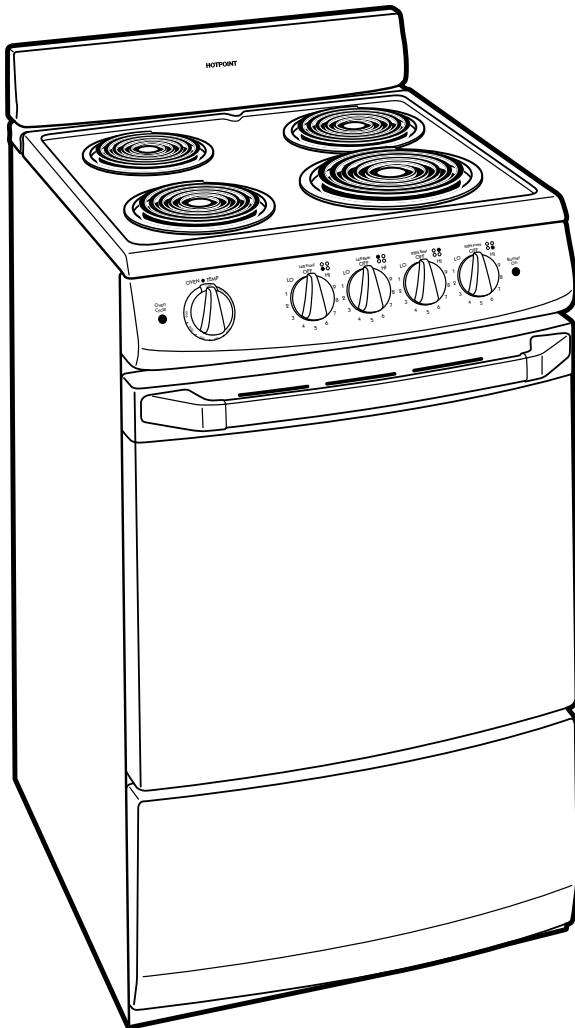
Specification Revised 11/06
420512



All GE ranges are equipped with an Anti-Tip device. The installation of this device is an important, required step in the installation of the range.

HOTPOINT®

RA724K – Hotpoint 24" Free-Standing Electric Range



Features and Benefits

- Coil Heating Elements - Provides consistent and even heat on the cooktop with a plug-in element that is removable for easy cleaning
- Chrome Drip Bowls - Contain minor spills and are removable for easy cleaning
- Lift-Up Cooktop - Cooktop lifts up for easy access to porcelain-enameled subtop
- Two Oven Racks - Feature a durable construction to help accommodate any size or type of cookware
- Broiler Pan With Grid - Convenient broiler pan can be used when broiling for crisping and browning
- Visor Handle - Features a classic design and easy cleanability
- Model RA724KWH – White