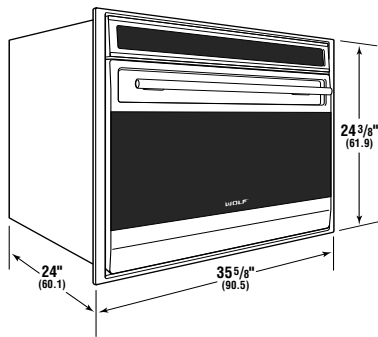


WOLF 36" SINGLE OVEN



36-inch Single Oven Overall Dimensions
Model SO36U (unframed)

PLANNING AND DESIGN INFORMATION

While you have many design options to consider from a selection point of view, there are only three different sizes to consider when planning for your layout. You can choose either a single 30 or 36-inch oven or a double 30-inch model.

We have shown you the overall sizes to consider when planning for your layout in the kitchen.

ELECTRICAL REQUIREMENTS

Wolf single 36-inch ovens require a separate, properly grounded four-wire 240 volt, 30 amp service with its own circuit breaker.

The 36-inch oven is provided with a three-foot flexible four-wire conduit, which can make a connection at a junction box.

In all instances, the electrical box's face must be mounted flush with the back wall. Outlets can be placed in adjacent cabinets as long as the electrical box is within reach of the oven's cable, and a hole is provided for the conduit.

The single ovens are rated at 5.1 Kw at 240 volts. The 36-inch single oven is rated at 3.8 Kw and needs a 30 amp service.

You must follow all National Electrical Code regulations. In addition, be aware of local codes and ordinances when installing your service.

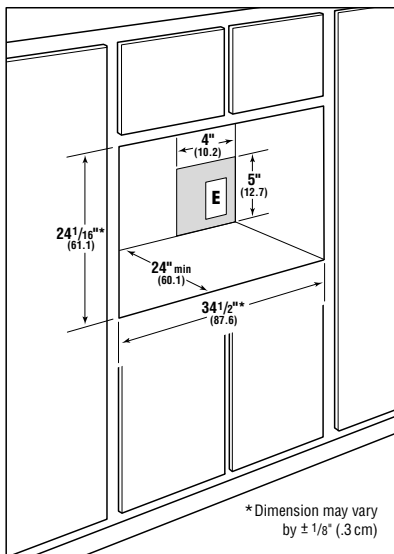
IMPORTANT NOTE: The single 36-inch oven may be installed below a Wolf electric or gas cooktop. Please refer to pages the Cooktop Section for the depth of these cooktops and for specifics on cut-out dimensions for undercounter applications. You can not install an oven below a Wolf rangetop.

SPACE REQUIREMENTS

The finished cut-out dimensions you need to incorporate into your plans are noted below. We have minimized the information contained in the illustrations concentrating on the critical information that you must plan into the installation.

All Wolf ovens have a face trim that is on all four sides and will overlap stiles and rails. The trim overlaps 1/8-inch on the bottom of all ovens, and 9/16-inch on each side of the 36-inch ovens. The top overlap is 3/16-inch on all units.

IMPORTANT NOTE: We recommend using 39-inch cabinet for the 36-inch oven. Also, it is imperative that you have 24 inches of usable cabinet depth space for the ovens. The electrical outlet must be flush with the back wall to allow for the proper installation of our ovens.



Cut-out dimensions and electrical placement for 36-inch single built-in oven.