

Electrolux

Factory Parts Catalog

Product No.	E36IC75FSS1	E36IC75FSS3
	38066424760S1	38066424760S3
Series	36" elec	36" elec
Color	stainless	stainless
Market	North America	North America
Wiring Diagram	318046823	318046823
Owner's Guide	318200640	318200640
Installation Instructions	318201436	318201436
Service Data Sheet	318200254	318200254

Electrolux

Electrolux Major Appliances
North & Latin America
P.O. BOX 212378
AUGUSTA, GA 30917

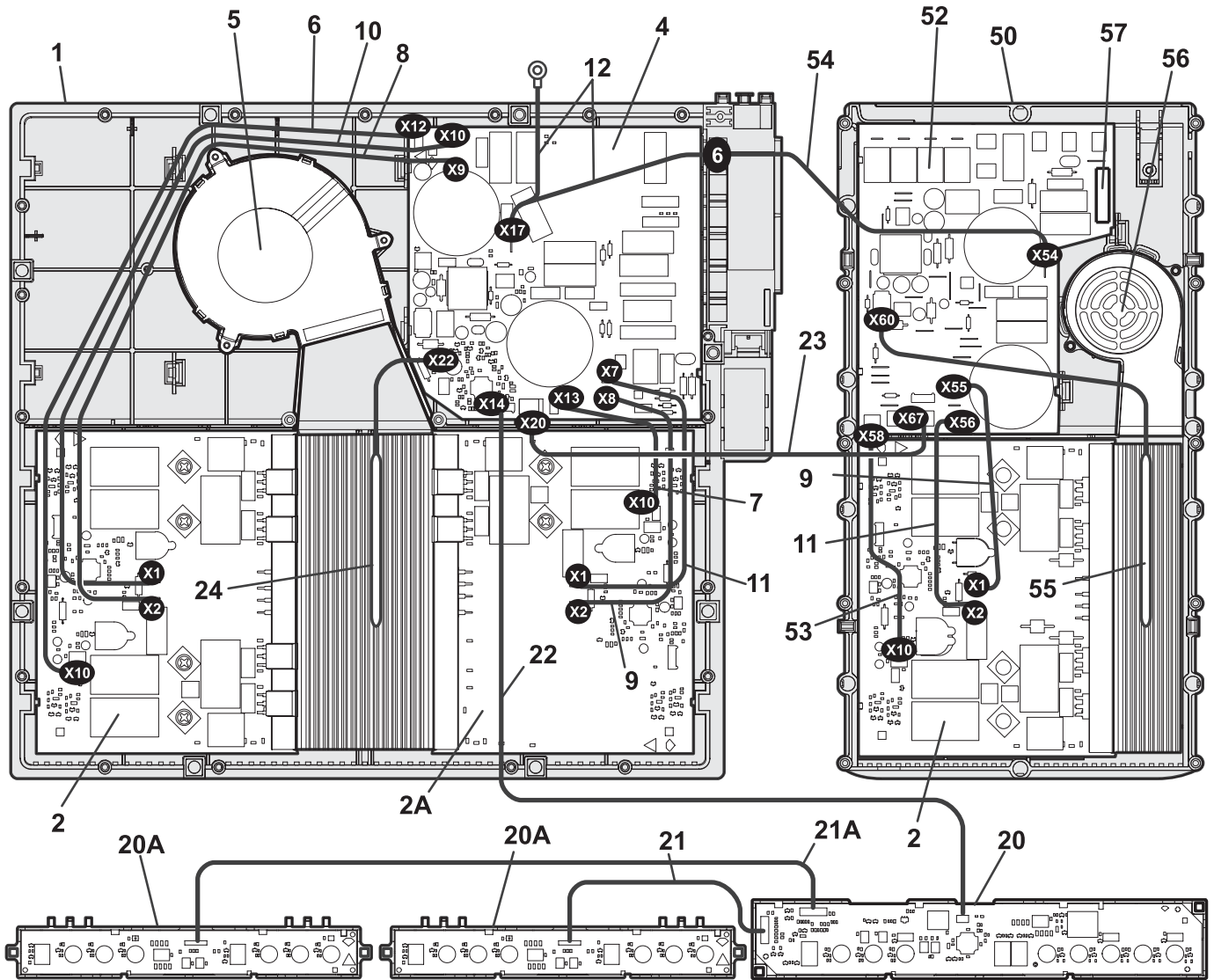
Publication No.
5995475083
06/09/26
(EN/SERVICE/ECL)
377

ELECTRIC COOK-TOP RANGE

Model No.
E36IC75F

Copyright © 2006 Electrolux Home Products, Inc.
All rights reserved.

CONTROL PANEL



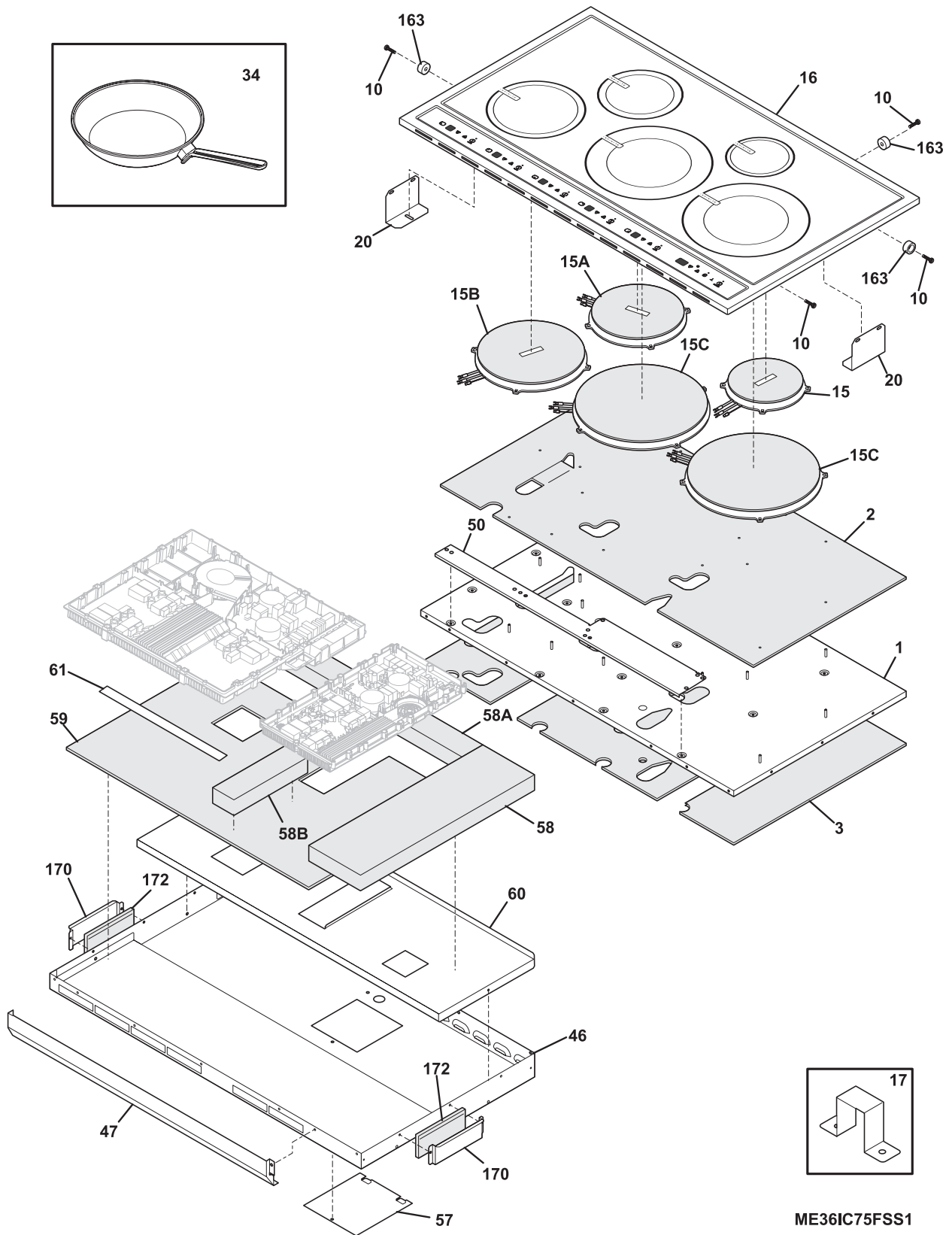
CE36IC75FSS1

CONTROL PANEL

Model Index: A E36IC75F (E36IC75FSS1)
B E36IC75F (E36IC75FSS3)

POS. NO	PART NO.		DESCRIPTION
1	318348100	A B	Housing, plastic carrier, large
2 #	318347100	A B	Generator, circuit board, (2), 2 zone
2A #	318347110	A B	Generator, circuit board, 1 zone
4 #	318347000	A B	Filter, circuit board, large
5 #	318346900	A B	Cooling Fan Assembly, large
6 #	318348001	A B	Communication Cable, generator, 18", to filter, X10/X12
7 #	318348000	A B	Communication Cable, generator, 6", to filter, X10/X13
8 #	318052581	A B	Power Cable Set, generator, 18", black, to filter, X2/X9
9 #	318052580	A B	Power Cable Set, generator, 6", blue, to filter, (2), X1/X8-X1/X55
10 #	318052582	A B	Power Cable Set, generator, 18", blue, to filter, X1/X10
11 #	318052579	A B	Power Cable Set, generator, 6", black, to filter, X2/X7-X2/X56
12 #	318052593	A B	Ground wire, w/terminal, X17/6-housing
20 #	318330821	A -	Touch Control, electronic, center
20 #	318330823	- B	Touch Control, electronic, center
20A#	318330711	A -	Touch Control, cook zone, (2), electronic
20A#	318330713	- B	Touch Control, cook zone, (2), electronic
*	318368900	A B	Frame, display, single, (5)
*	318368910	A B	Frame, display, double
21 #	318083044	A B	Interface Cable, side control, to center
21A#	318083046	A B	Interface Cable, side control, to center
22 #	318083062	A B	Communication Cable, center control, to filter
23 #	318083048	A B	Communication Cable, filter, to filter, X20/X67
24 #	318349900	A B	Thermal Cut-Out, short
50	318348110	A B	Housing, plastic carrier, small
52 #	318347010	A B	Filter, circuit board, small
53 #	318348002	A B	Communication Cable, generator, 8", to filter, X10/X58
54 #	318052578	A B	Ground Wire, X54/6
55 #	318349910	A B	Thermal Cut-Out, long
56 #	318346910	A B	Cooling Fan Assembly, small
57 #	318373300	A B	Fuse, fast blow, 20A
* #	318052587	A B	Harness, wiring, L1, L2 & ground

MAIN TOP/SURFACE UNITS



ME36IC75FSS1

MAIN TOP/SURFACE UNITS

Model Index: A E36IC75F (E36IC75FSS1)
 B E36IC75F (E36IC75FSS3)

POS. NO	PART NO.		DESCRIPTION
1	318329022	A B	Panel, CARRIER
2	318344510	A B	Insulation, Elements
3	318330500	A B	Insulation, carrier panel
10	5304450850	A B	Screw, 7-19 x 1/2", (11), housing ring
15 #	318329200	A B	Element, induction coil, 145MM, right rear
15A#	318329201	A B	Element, induction coil, 180MM, left rear
15B#	318329202	A B	Element, induction coil, 210MM, left front
15C#	318329203	A B	Element, induction coil, 260MM, right front
16	318282524	A B	Main Top Assy, glass/steel, black, w/stainless trim
17	318367801	A B	Bracket, cable
20	318121906	A B	Bracket, retainer
34	318526700	A B	Pan, skillet, induction
46	318328931	A B	Box, burner
47	318345121	A B	Deflector, air
50	318356813	A B	Panel, spacer
57	318330911	A B	Panel, access
58	318346010	A B	Insulation, housing, RH
58A	318346011	A B	Insulation, housing, rear
58B	318346012	A B	Insulation, housing, center
59	318346210	A B	Insulation, housing, lower
60	318346110	A B	Deflector, air
61	5304424462	A B	Foam Tape, 1/2" x 14"
163	318014110	A B	Spacer, (6)
170	318124914	A B	Screen, thermal, (2)
172	318344522	A B	Insulation, screen, (2)
* #	318078556	A B	Box & wires assy
*	318341500	A B	Clamp, power cord
*	5303323140	A B	Screw, ground, 10-32 x 0.375
*	316459400	A B	Pad, cleaning
*	08016432	A B	Screw, truss head, 8-18 x 0.375
*	5303211311	A B	Screw, 8 x 0.500
*	5303307980	A B	Screw, 8-32 x 0.437, (4)

WIRING DIAGRAM

