

Standard-Depth Bottom-Freezer Refrigerators



Architect® Series II

KBRS22ET
KBLS22ET

A convenient bottom-freezer refrigerator, complemented by our **FreshChill™ Temperature Management System**, helps ensure that your ingredients stay their freshest, whether they are in the freezer or refrigerator. Choose either a right-hand or left-hand door swing.

Cabinetry by Shenandoah Cabinetry®. Zodiac® Quartz Surface by DuPont.



White
KBRS22ETWH



Black
KBRS22ETBL



Stainless Steel
KBRS22ETSS



FOR THE WAY IT'S MADE.®

Standard-Depth Bottom-Freezer Refrigerators



KBRS22ET – 22 Cu. Ft.
(Right-Hand Door Swing)

KBLS22ET – 22 Cu. Ft.
(Left-Hand Door Swing*)

- ENERGY STAR® Qualified
- Flat, Smooth Doors
- Interior Water Dispenser
- FreshChill™ Temperature Management System
- 2 Pull-Out Freezer Baskets
- FreshSeal™ Humidity-Controlled Crispers
- FreshChill™ Temperature-Controlled Deli Locker
- ClearVue™ Bins with Window
- Automatic Ice Maker
- Max Cool
- Gallon Door Storage
- Egg Bin
- Pantry Divider
- Adjustable Can Rack
- Holiday/Sabbath Mode
- White (WH), Black (BL), or Stainless Steel (SS)

*Stainless steel only.



Pull-Out Freezer Baskets

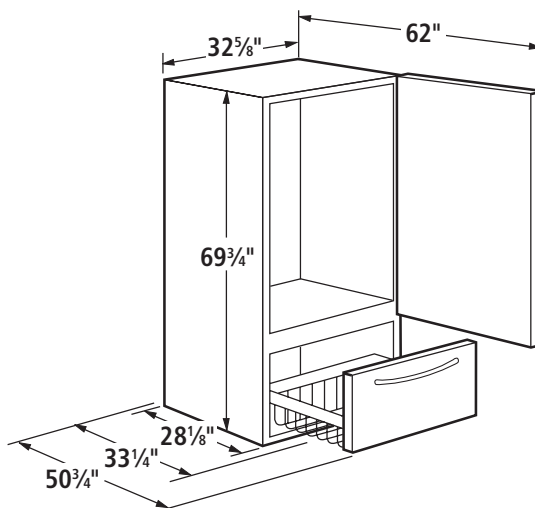
Two wire baskets glide out when you pull the door open. The baskets are tiered, so you can easily view and organize the freezer – keeping the frequently accessed items on top to reduce bending.



FreshSeal™ Humidity-Controlled Crispers

Compartments that feature adjustable humidity controls and an exclusive four-sided seal that help retain humidity, creating optimum storage conditions for your fruits and vegetables.

PRODUCT DIMENSIONS



Dimensions are for planning purposes only. For complete details, see Installation Instructions packed with product. Specifications subject to change without notice.

KitchenAid®
FOR THE WAY IT'S MADE.®

®Registered trademark/™Trademark of KitchenAid, U.S.A.

©2007. All rights reserved.

KitchenAid • Benton Harbor, Michigan 49022 U.S.A.

®ENERGY STAR is a U.S. registered mark.

®Shenandoah Cabinetry is a registered trademark of American Woodmark Corporation.

®Zodiaq is a DuPont registered trademark for its quartz surfaces. Only DuPont makes Zodiaq.

For Additional Information About KitchenAid® Appliances

Visit KitchenAid.com or call the Customer Experience Center 1-800-422-1230.

03/07
KKRL229

(27793RC0307)
Printed in U.S.A.