

# Built-In Side-by-Side Refrigerators

Architect® Series II

KSSC48/42/36QT  
KSSO48/42/36QT

Thoughtful design to match your discerning taste. An **integrated and flush ice and water dispenser** provides a visually pleasing, integrated look in your kitchen.



Cabinetry by Shenandoah Cabinetry®. Zodiac® Quartz Surface by DuPont.



Stainless Steel  
KSSC48QTS



FOR THE WAY IT'S MADE.®



**KSSC48QT – 48-Inch**  
**KSSC42QT – 42-Inch**  
**KSSC36QT – 36-Inch\***

- Integrated and Flush Electronic Through-the-Door Ice & Water Dispenser
- ExtendFresh™ Plus Temperature Management System
- AquaSense™ Base-Grille Filtration System – Filtered by PUR®
- AquaSense™ In-Door-Ice® Ice Dispensing System
- Quick-Fill Water Dispenser
- LCD Dispenser Display
- Fahrenheit and Celsius Temperature Display
- On Demand Pulsed Defrost System
- Automatic Ice Maker
- Adjustable SpillClean™ Glass Shelves
- ClearVue™ SatinGlide® Crispers
- ExtendFresh™ Ingredient Care Center
- Dual Magna Seal™ Gasket System
- ClearVue™ Slide N Lock™ Door Storage
- Whisper Quiet® Compressor System
- Foam-in-Place Insulation
- Glass-Touch Electronic Controls
- Holiday/Sabbath Mode
- ENERGY STAR® Qualified
- Star-K Certified
- Stainless Steel (S)

**KSSO48QT – 48-Inch**  
**KSSO42QT – 42-Inch**  
**KSSO36QT – 36-Inch\***

Similar to models KSSC48QT, KSSC42QT, and KSSC36QT. Requires installation of custom overlay panels and handles. Available in brushed aluminum trim with universal silver dispenser (X) and black trim with black dispenser (B).

\*Not ENERGY STAR® qualified.

# Built-In Side-by-Side Refrigerators

## ExtendFresh™ Plus Temperature Management System

A thermostat in the freezer and a thermistor in the refrigerator independently monitor temperatures to help ensure all of your ingredients remain at the appropriate temperature for maximum taste and texture.

## AquaSense™ Base-Grille Filtration System – Filtered by PUR®

A filter reduces impurities for fresh-tasting water and is located on the base grille, so it doesn't take away usable refrigerator space.

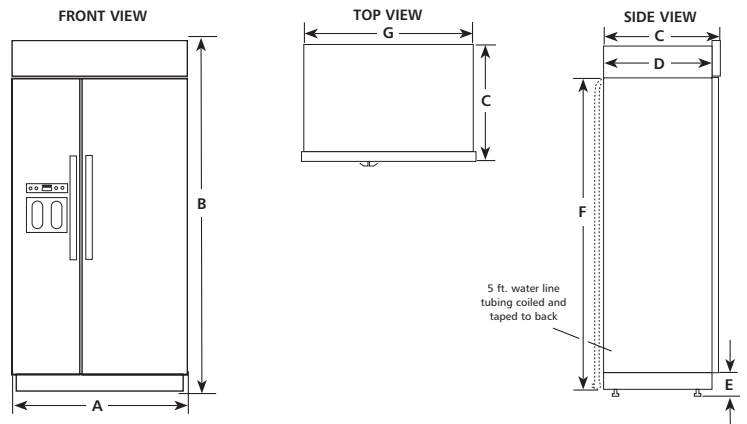
### PRODUCT DIMENSIONS

	A	B*	C**	D	E*	F†	G
<b>48-INCH</b>	48 1/4"	83 3/8"	25 3/8"	23 1/2"	3 1/2"	84"	47"
<b>42-INCH</b>	42 1/4"	83 3/8"	25 3/8"	23 1/2"	3 1/2"	84"	41"
<b>36-INCH</b>	36 1/4"	83 3/8"	25 3/8"	23 1/2"	3 1/2"	84"	35"

\*Leg levelers extended 1/8" below rollers; add 1/8" for levelers fully extended 1 1/4" below rollers.

\*\*Dimension is to front of top grille, excluding custom panel.

†Power cord.



### CUTOUT DIMENSIONS

	WIDTH† (min./max.)	HEIGHT (min./max.)	DEPTH (min.)
<b>48-INCH</b>	47 1/2"/47 3/4"	83 1/2"/84 3/4"	24"
<b>42-INCH</b>	41 1/2"/41 3/4"	83 1/2"/84 3/4"	24"
<b>36-INCH</b>	35 1/2"/35 3/4"	83 1/2"/84 3/4"	24"

†To allow sufficient airflow to the compressor, side trim must be on the outside of adjoining cabinets and not recessed into the cutout.

The location must permit both doors to open to a minimum of 90°. Allow 4 1/2" minimum space between the side of the refrigerator and a corner wall, including baseboard area.

More clearance may be required if you are using overlay panels or custom handles.

**Electrical:** A 115 Volt, 60 Hz., AC only 15- or 20-amp fused, grounded electrical supply on a separate circuit. A GFCI (Ground Fault Circuit Interrupter) outlet is not recommended.

**Water Supply:** A cold water supply with water pressure between 30 and 120 psi (207-827 kPa).

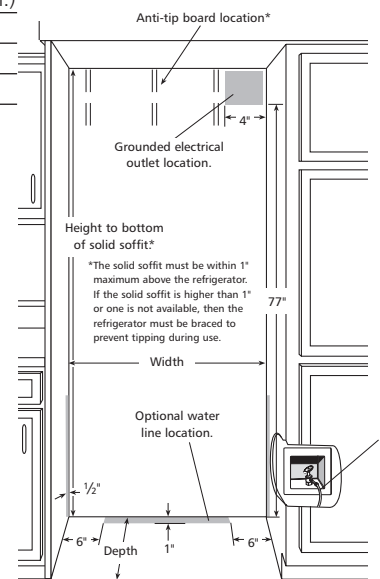
Dimensions are for planning purposes only. For complete details, see Installation Instructions packed with product. Specifications subject to change without notice.

Water shutoff may be located in the base cabinet on either side of refrigerator for easy access. The access hole through the cabinet must be within 1/2" of rear wall.

If installed behind refrigerator, water shutoff valve must be angled so that tubing is not damaged.

Face of cabinetry must be plumb.

Floor: Must support refrigerator (more than 600 pounds) and must be at the same level as flooring in the room.



**KitchenAid®**  
**FOR THE WAY IT'S MADE.®**

®Registered trademark/™Trademark of KitchenAid, U.S.A.

©2007. All rights reserved.

KitchenAid • Benton Harbor, Michigan 49022 U.S.A.

®ENERGY STAR is a U.S. registered mark.

PUR® is a registered trademark of The Procter & Gamble Company.

®Shenandoah Cabinetry is a registered trademark of American Woodmark Corporation.

®Zodiaq is a DuPont registered trademark for its quartz surfaces. Only DuPont makes Zodiaq.

(27781RC0307)

Printed in U.S.A.



### For Additional Information About KitchenAid® Appliances

Visit KitchenAid.com or call the Customer Experience Center 1-800-422-1230.

03/07  
 KKRL217