

# KitchenAid® 30" Freestanding and Slide-In Dual Fuel Range

## PRODUCT MODEL NUMBERS

KDRS807S

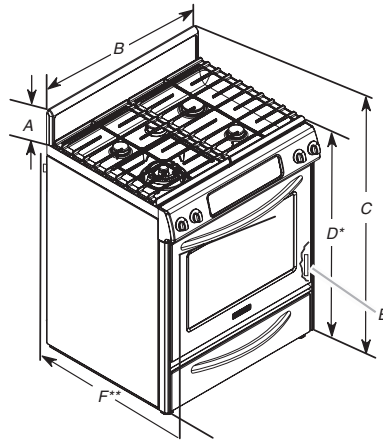
KDSS907S

**Gas supply:** Use 3/4" (1.9 cm) rigid pipe gas supply line to the range location. A smaller size pipe on long runs may result in insufficient gas supply. With L.P. gas, piping or tubing size can be 1/2" (1.3 cm) minimum. If local codes permit, it is recommended that new flexible metal tubing, design-certified by CSA, 4-5 feet (122-152.4 cm) long, 1/2" (1.3 cm) or 3/4" (1.9 cm) I.D., be used for connecting the range to the rigid gas supply line. A 1/2" (1.3 cm) male pipe thread is needed for connection to pressure regulator female pipe threads. An easily accessible individual manual shutoff valve must be located in the same room, but external to the range.

**Electrical:** 120-volt, 60 Hz, AC-only, 15 amp, fused electrical circuit is required. A separate circuit is recommended. A time-delay fuse or circuit breaker is recommended.

## OVERALL DIMENSIONS

Freestanding Range

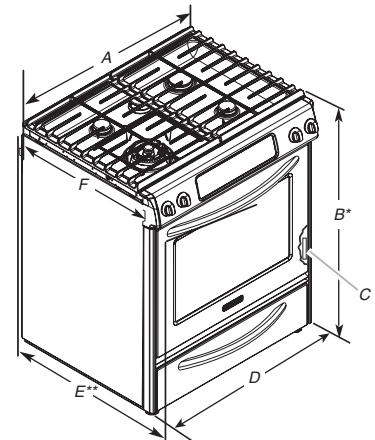


- A. 5 3/4" (14.6 cm)
- B. 30" (76.2 cm)
- C. 41 1/4" (106 cm) overall height with leveling legs screwed all the way in.
- D. 36" (91.4 cm) cooktop trim height with leveling legs screwed all the way in\*
- E. Model/serial number plate (located on the right-hand side oven door trim)
- F. 27 1/4" (69.2 cm) max. from handle to standoff at back of range\*\*

\*Range can be raised approximately 1" (2.5 cm) by adjusting the leveling legs.

\*\*When installed in a 24" (61 cm) base cabinet with 25" (63.5 cm) countertop; front of oven door protrudes 1" (2.5 cm) beyond 24" (61 cm) base cabinet.

Slide-in Range



- A. 30 9/16" (77.6 cm)
- B. 35 5/8" (90.5 cm) height to underside of cooktop edge with leveling legs screwed all the way in\*
- C. Model/serial number plate (located on the right-hand side oven door trim)
- D. 30" (76.2 cm)
- E. 27 1/4" (69.2 cm) from handle to standoff at back of range\*\*
- F. 23" (58.4 cm) countertop notch to rear of cooktop

\*Range can be raised approximately 1" (2.5 cm) by adjusting the leveling legs.

\*\*When installed in a 24" (61 cm) base cabinet with 25" (63.5 cm) countertop; front of oven door protrudes 1 1/4" (4.4 cm) beyond 24" (61 cm) base cabinet.

## SLIDE-IN RANGE COUNTERTOP PREPARATION

The cooktop sides of the slide-in range fit over the cutout edge of your countertop.

If you have a square finish (flat) countertop and the opening width is 30" (76.2 cm), no countertop preparation is required.

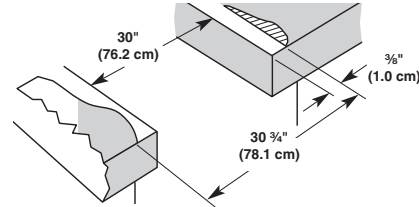
Formed front-edged countertops must have molded edge shaved flat 3/8" (1.0 cm) from each front corner of opening.

Tile countertops may need trim cut back

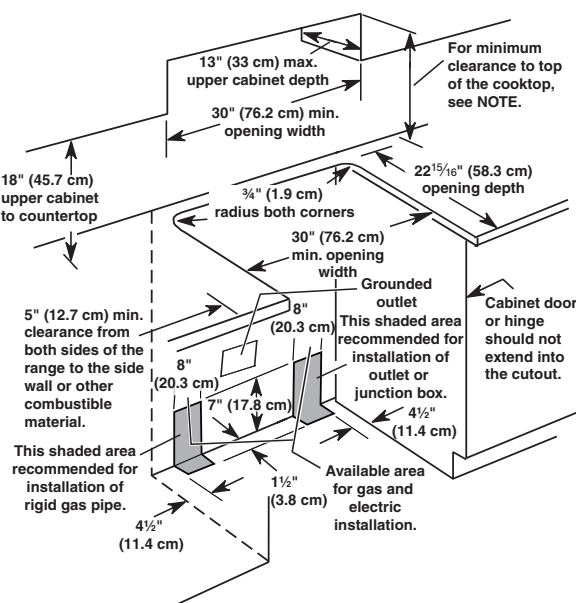
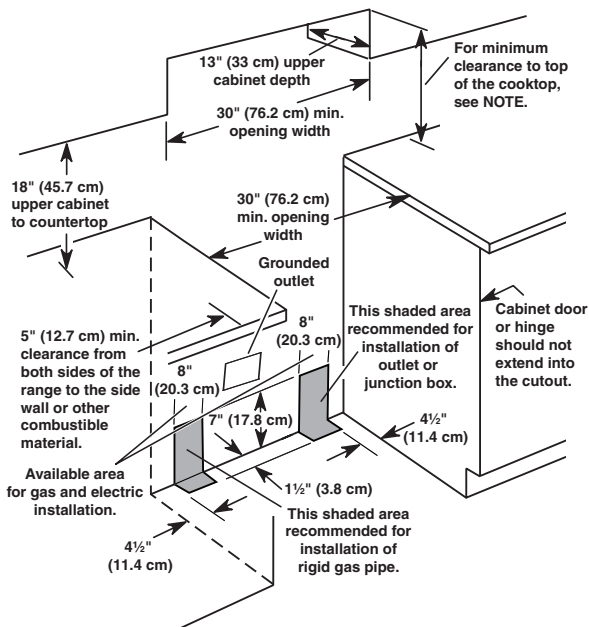
3/8" (1.0 cm) from each front corner and/or rounded edge flattened.

If countertop opening width is greater than 30" (76.2 cm), adjust the 3/8" (1.0 cm) dimension.

Countertop must be level. Place level on countertop, first side to side; then front to back. If countertop is not level, range will not be level. Range must be level for satisfactory baking conditions.



## CABINET OPENING DIMENSIONS



**NOTE:** 24" (61 cm) minimum when bottom of wood or metal cabinet is protected by not less than 1/4" (0.64 cm) flame retardant millboard covered with not less than No. 28 MSG sheet steel, 0.015" (0.4 mm) stainless steel, 0.024" (0.6 mm) aluminum or 0.020" (0.5 mm) copper.

30" (76.2 cm) minimum clearance between the top of the cooking platform and the bottom of an unprotected wood or metal cabinet.

If installing a range hood or microwave hood combination above the range, follow the range hood or microwave hood combination installation instructions for dimensional clearances above the cooktop surface.