

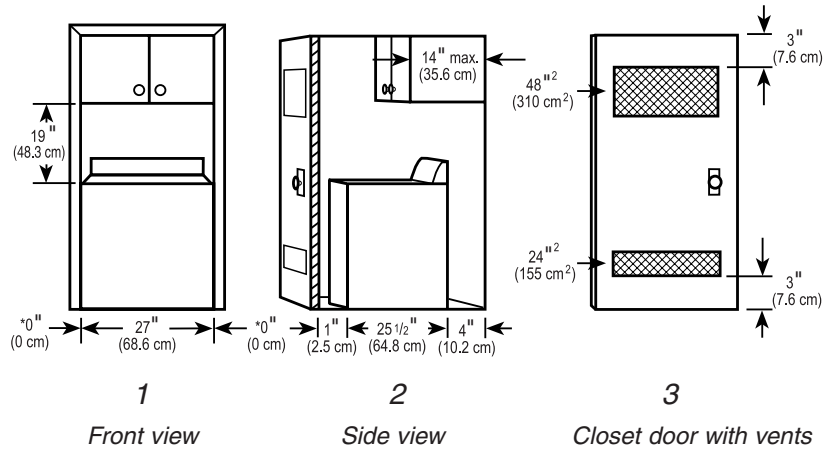
PRODUCT MODEL NUMBERS

GST9679P	LSR7300P
GSW9800P	LSR7333P
LBR4132P	LSR8010P
LBR5432P	LSR9434P
LSB6000P	LSW9700P
LSB6200P	LSW9750P
LSB6300P	LXR7244P
LSB6500P	WTW5100S
LSC5000P	WTW5300S
LSC9000P	WTW5310S
LSN1000P	WTW5500S
LSN2000P	WTW5520S
LSN3000P	WTW5530S
LSQ8000L	WTW5540S
LSQ9010P	WTW5550S
LSQ9030P	WTW5590S
LSQ9110P	WTW5600S
LSQ9200P	WTW5790S
LSQ9549P	WTW5800S
LSQ9550P	WTW5810S
LSQ9560P	WTW5820S
LSQ9650P	WTW5830S
LSQ9659P	WTW5840S
LSQ9660P	WTW5850S
LSR5132P	WTW5860S
LSR7010P	WTW5900S
LSR7133P	

Electrical: 120-volt, 60 Hz, AC-only, 15 or 20 amp electrical supply. A time-delay fuse or circuit breaker and separate circuit is recommended.

RECESSED AREA AND CLOSET INSTALLATION

For closet installation, with a door, the minimum ventilation openings in the top and bottom of the door are required (view 2). Louvered doors with equivalent air ventilation openings in the top and bottom are acceptable.

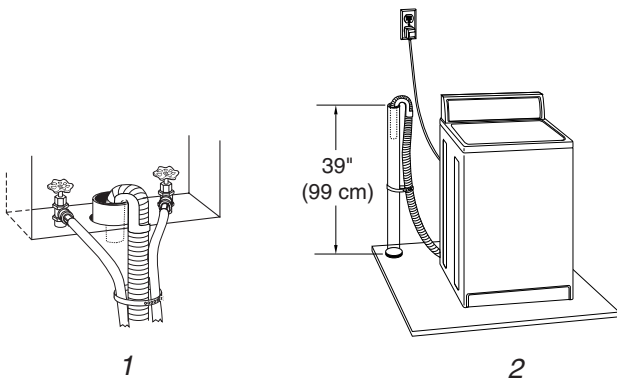


DRAIN SYSTEM OPTIONS

Standpipe drain system - wall or floor (view 1 & 2)

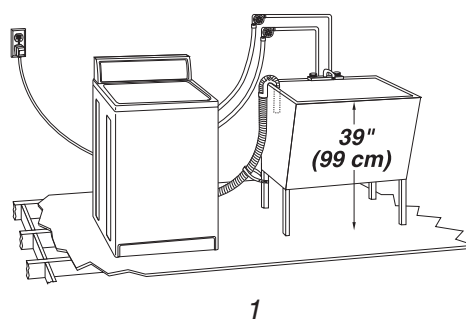
The standpipe drain requires a minimum diameter standpipe of 2" (5 cm). The minimum carry-away capacity can be no less than 17 gal. (64 L) per minute.

The top of the standpipe must be at least 39" (99 cm) high and no higher than 96" (244 cm) from the bottom of the washer.



Laundry tub drain system (view 1)

The laundry tub needs a minimum 20 gal. (76 L) capacity. The top of the laundry tub must be at least 39" (99 cm) above the floor and no higher than 96" (244 cm) from the bottom of the washer.



Floor drain system (view 2)

The floor drain system requires a siphon break that may be purchased separately. The siphon break must be a minimum of 28" (71 cm) from the bottom of the washer. Additional hoses might be needed.

