

Dependable performance. Innovative convenience.

Are you a side-by-side person? Or do you prefer a bottom-freezer refrigerator? Chances are, you already have a preference. And the good news is, Maytag offers a complete selection of stylish and dependable refrigerators with generous capacities and convenient features designed to keep food fresh and easily accessible.



WHICH STYLE IS RIGHT FOR YOUR KITCHEN?

Answer these questions to help determine which models and features you need to solve your everyday challenges.

1. Would you like a bottom-freezer refrigerator with French Door style — and the convenience of an external water and ice dispenser?
2. Do you prefer a side-by-side model, but wish it offered wider fresh food and freezer space?
3. Do your veggies or fruits often spoil because they get lost in the back of the crisper drawers?
4. Is it difficult to fit pitchers or other tall items in your fridge?
5. Are you tired of getting on your hands and knees to reach items buried in the back of your bottom freezer?
6. Would you like a refrigerator that looks built in — without the built-in price?

Refrigeration

Model Shown: MFI2568AES (Refrigerator)

Maytag® French Door Bottom-Freezer Refrigerators

The Best Of A Side-By-Side And Bottom-Freezer In One.

STANDARD FEATURES YOU DEPEND ON FROM MAYTAG

FRESH FOOD FEATURES

- Sealed FreshLock Crispers With Humidity Control
- Adjustable Tempered-Glass Spill-Catcher™ Shelves
- Glass Crisper Shelf
- Pick-Off Gallon-Plus Door Bins
- Covered Dairy Compartment
- Wide-N-Fresh™ Deli Drawer

- Bottle Caddy
- Removable Egg Cradle
- BrightSeries™ Lighting Package

FREEZER FEATURES

- Glide-Out Freezer Drawer With SmoothClose™ Drawer Track System
- Freezer Light

- Slide-Out Freezer Basket
- Lower Basket Divider

BUILT-TO-LAST™ FEATURES

- Foam-To-The-Floor Construction
- Strongbox™ Hinge Design
- Easy-Roll Wheels
- Radius Doors



French Door Bottom-Freezer Refrigerator

Combines the benefits of a side-by-side and a bottom-freezer refrigerator — fresh food is at eye level, and twin refrigerator doors fit any kitchen design.



External Ice And Water Dispenser

The first French Door refrigerator with a filtered external ice and water dispenser on the door! Fills tall glasses or pitchers at the touch of a button. (select models)



Convenient Temperature Control

Upfront controls allow independent temperature adjustment in the fresh food and freezer compartments; select models include electronic touch-pad controls, digital displays and multiple temperature sensors for precise operation. (Electronic Triple-Cool™ system shown)

NEW! THE FIRST FRENCH DOOR WITH ICE AND WATER DISPENSER ON THE DOOR



MAYTAG® ICE₂O™ FRENCH DOOR REFRIGERATOR MFI2568AE

24.9 Cu. Ft.

Standard Features Plus:

- Largest Fresh Food Capacity Available*
- External Ice And Water Dispenser On The Door
- High-Gloss Smooth Steel Look
- Electronic Quad-Cool™ System
- Hidden Hinges
- Exterior Temperature Controls And Control Lockout
- Factory-Installed Ice Maker
- Contoured Twin Fresh Food Doors
- PuriClean® II Water/Ice Filter
- Water Filter Change Reminder
- Beverage Chiller™ Compartment
- Elevator™ Shelf
- Easy-Glide Shelves
- Built-In Door Organizer
- Freezer Bin Organization System
- Door Alarm/Temperature Alarm/Max Cool/Vacation Mode Functions
- QuietSeries™ 200 Sound Package

NEW COLORS: High-Gloss White (W), High-Gloss Black (B), High-Gloss Bisque (Q), Stainless Steel (S)
(Product Available February 2006)

*Among leading brands of refrigerators.



MFD2561HE

24.8 Cu. Ft.

Standard Features Plus:

- Electronic Triple-Cool™ System
- Twin Fresh Food Doors
- PureChill™ Internal Water Dispenser
- Water Filter Change Reminder
- PuriClean® II Water/Ice Filter
- Elevator™ Shelf
- Easy-Glide Shelves
- Speed Ice™ Feature
- Factory-Installed Ice Maker
- Door Alarm/Temperature Alarm/Max Cool/Vacation Mode Functions
- QuietSeries™ 200 Sound Package

Colors: White, Bisque, Black, Stainless Steel (MFD2561KES)



MFF2557HE

24.8 Cu. Ft.

Standard Features Plus:

- Electronic Dual Cool™ System
- Twin Fresh Food Doors
- Beverage Organizer™ Rack
- Factory-Installed Ice Maker
- PuriClean® II Ice Filter
- QuietSeries™ 200 Sound Package

Colors: White, Black, Stainless Steel (MFF2557KES)



CABINET-DEPTH DESIGN MFC2061HE

19.8 Cu. Ft.

Standard Features Plus:

- Electronic Triple-Cool™ System
- Four-Point Leveling
- Twin Fresh Food Doors
- PureChill™ Internal Water Dispenser
- Water Filter Change Reminder
- PuriClean® II Water/Ice Filter
- Easy-Glide Shelves
- Speed Ice™ Feature
- Factory-Installed Ice Maker
- Door Alarm/Temperature Alarm/Max Cool/Vacation Mode Functions
- QuietSeries™ 200 Sound Package

Colors: White, Black, Stainless Steel (MFC2061KES)

For additional feature information, see specification charts on page 62.

Maytag® Bottom-Freezer Refrigerators

Take Performance To Another Level.



STANDARD FEATURES YOU DEPEND ON FROM MAYTAG

FRESH FOOD FEATURES

- Sealed FreshLock Crispers With Humidity Control
- Adjustable Tempered-Glass Shelves
- Pick-Off Gallon-Plus Door Bins
- Covered Dairy Compartment
- BrightSeries™ Lighting Package

FREEZER FEATURES

- Freezer Light
- Slide-Out Wire Freezer Basket
- Ice Bin

BUILT-TO-LAST™ FEATURES

- Foam-To-The-Floor Construction
- Strongbox™ Hinge Design
- Easy-Roll Wheels
- Radius Doors

Bottom-Freezer Design

Puts the fresh food that you reach for most often at eye level for convenience. Practical storage solutions make frozen foods easier to see and organize.

Convenient Temperature Control

Upfront controls allow independent temperature adjustment in the fresh food and freezer compartments; select models include electronic touch-pad controls, digital displays and multiple temperature sensors for precise operation. (Electronic Triple-Cool™ system shown)

Elevator™ Shelf

Make room without unloading the food. Rolls up and down smoothly — even when loaded with food — to accommodate tall items like pitchers of lemonade. (select models)



MBF2562HE
25.1 Cu. Ft.

MBF2262HE
21.9 Cu. Ft.

Standard Features Plus:

- Electronic Triple-Cool™ System
- Glide-Out Freezer Drawer With SmoothClose™ Drawer Track System
- Speed Ice™ Feature
- Easy-Glide Shelves
- Spill-Catcher™ Shelves
- Elevator™ Shelf
- Wide-N-Fresh™ Deli Drawer
- Beverage Organizer™ Rack
- Lower Basket Divider
- Factory-Installed Ice Maker
- QuietSeries™ 200 Sound Package

Colors: White, Black



MBR2562KES/ MBL2562KES
25.1 Cu. Ft.

MBR2262KES/ MBL2262KES
21.9 Cu. Ft.

Same features as MBF2562/MBF2262. Specify right-swing door (MBR2562, MBR2262) or left-swing door (MBL2562, MBL2262) when ordering.

Color: Stainless Steel With Stainless Steel Towel-Bar Handles



MBF2556KE
25.1 Cu. Ft.

MBF2256KE
21.9 Cu. Ft.

MBF1956KE
18.6 Cu. Ft.

Standard Features Plus:

- Electronic Dual Cool™ System
- Glide-Out Freezer Drawer With SmoothClose™ Drawer Track System
- Spill-Catcher™ Shelves
- Clear Deli Drawer
- Lower Basket Divider
- Factory-Installed Ice Maker
- QuietSeries™ 200 Sound Package

Colors: White, Bisque, Black



MBR2556KE/ MBL2556KE
25.1 Cu. Ft.

MBR2256KE/ MBL2256KE
21.9 Cu. Ft.

MBR1956KE/ MBL1956KE
18.6 Cu. Ft.

Same features as MBF2556KE/MBF2256KE/MBF1956KE. Specify right-swing door (MBR2556KE, MBR2256KE, MBR1956KE) or left-swing door (MBL2556KE, MBL2256KE, MBL1956KE) when ordering.

Color: Stainless Steel With Stainless Steel Towel-Bar Handles



MBF2254HE
21.9 Cu. Ft.

Standard Features Plus:

- Electronic Dual Cool™ System
- Swing-Out Freezer Door
- Clear Deli Drawer
- Wire Freezer Shelf
- Factory-Installed Ice Maker
- QuietSeries™ 100 Sound Package

Colors: White, Bisque, Black



MBB1952HE
18.6 Cu. Ft.

Standard Features Plus:

- Dual Cool™ System
- Swing-Out Freezer Door
- Clear Deli Drawer
- Wire Freezer Shelf
- Optional Ice Maker (IC11B)
- QuietSeries™ 100 Sound Package

Color: White

For additional feature information, see specification charts on page 63.

Maytag® Wide-By-Side™ Refrigerators

More Space In The Right Place.

STANDARD FEATURES YOU DEPEND ON FROM MAYTAG

FRESH FOOD FEATURES

- PuriClean® II Retractable Water/Ice Filter
- Electronic Ice And Water Dispenser
- Water Filter Change Reminder And Lock
- Sealed FreshLock Crisper With Humidity Control
- Spill-Catcher™ Shelves
- Easy-Glide Tempered-Glass Shelves
- Pick-Off Gallon-Plus Door Bins

- Covered Dairy Compartment
- BrightSeries™ Lighting Package

FREEZER FEATURES

- Adaptive Defrost Feature
- Factory-Installed Ice Maker
- Pick-Off Door Bins
- 3 Freezer Lights
- Slide-Out Wire Freezer Basket

BUILT-TO-LAST™ FEATURES

- Foam-To-The-Floor Construction
- Strongbox™ Hinge Design
- Easy-Roll Wheels
- Radius Doors



Beverage Chiller™ Compartment

Holds two gallon containers of milk, soda or other drinks and keeps them up to 4° colder. (select models)



PuriClean® II Retractable Water Filter

The built-in PuriClean® II 750-gallon filter removes water impurities while retaining fluoride — and can save you more than \$300.*

*Savings based on a 10-year period, comparing use of one Maytag® filter per year versus two competitive filters per year at a retail value of \$34.95 each.



Elevator™ Shelf

Make room without unloading the food. Rolls up and down smoothly — even when loaded with food — to accommodate tall items like pitchers of lemonade. (select models)



MZD2666KE
25.6 Cu. Ft.

Standard Features Plus:

- Electronic Dual Cool™ System
- Upfront Electronic Controls
- Elevator™ Shelf
- Framed Drawers With Rollers
- Adjusti-Temp™ Deli Drawer
- Beverage Chiller™ Compartment
- Clear Snack Drawer
- Covered Egg Bin And Snuggers
- Two Slide-Out Wire Freezer Baskets
- Tilt-Out Freezer Door Bins
- QuietSeries™ 200 Sound Package

Colors: White, Black, Stainless Steel With Stainless Steel-Look Handles



MZD2663KE
25.6 Cu. Ft.

Standard Features Plus:

- Dual Cool™ System
- Clear Deli Drawer
- Clear Snack Drawer
- Removable Egg Cradle
- QuietSeries™ 100 Sound Package

Colors: White, Bisque, Black, Stainless Steel With Black Handles

Take The Wide-By-Side™ Challenge

The widest available shelf space in a traditional side-by-side.

Store large items easily. Deli trays, frozen pizzas and sheet cakes fit flat!



Maytag® Wide-By-Side™ Refrigerator



Traditional Side-By-Side Refrigerator



Maytag® Wide-By-Side™ Freezer



Traditional Side-By-Side Freezer

Maytag® Side-By-Side Refrigerators

Keep Food Fresh And Conveniently Accessible.

STANDARD FEATURES YOU DEPEND ON FROM MAYTAG

FRESH FOOD FEATURES

- Electronic Cube/Crushed Ice And Water Dispenser
- Adjustable Tempered-Glass Shelves
- Deli Drawer
- Pick-Off Gallon-Plus Door Bins
- Covered Dairy Compartment
- Automatic Moisture Control
- Spill Catcher™ Shelves

FREEZER FEATURES

- Factory-Installed Ice Maker
- Adaptive Defrost Feature
- Pick-Off Door Bins
- Freezer Lights
- Wire Freezer Shelves

BUILT-TO-LAST™ FEATURES

- Foam-To-The-Floor Construction
- Strongbox™ Hinge Design
- Easy-Roll Wheels
- Radius Doors



MSD2660K
25.6 Cu. Ft.

Standard Features Plus:

- Electronic Triple-Cool™ System
- Electronic FrontFill™ Dispenser With Water Filter Change Reminder And Lock
- Speed Ice™ Feature
- Door Alarm/Max Cool/Temperature Alarm
- PuriClean® III Retractable Water/Ice Filter
- Elevator™ Shelf
- Beverage Chiller™ Compartment
- Refrigerator Pak Can Organizer
- Sealed FreshLock Crispers With Automatic Humidity Control
- Adjusti-Temp™ Deli Drawer
- Under-Shelf Adaptable Storage Rack
- Spill-Catcher™ Glass Crisper Shelf
- Easy-Glide Tempered-Glass Shelves
- OpenWide™ Fully Extendable Drawers
- Tilt-Out Fresh Food Compartment Door Bin
- Egg Bin With Lid/Snuggers
- Tilt-Out Freezer Door Baskets
- BrightSeries™ Lighting Package
- QuietSeries™ 200 Sound Package

Colors: High-Gloss White (GW), High-Gloss Black (GB), Stainless Steel With Black Cabinet (ES)
(Product Available April 2006)



MSD2656K
25.6 Cu. Ft.

Standard Features Plus:

- Electronic Dual Cool™ System
- Water Filter Change Reminder And Control Lockout
- PuriClean® II Retractable Water/Ice Filter
- Beverage Chiller™ Compartment
- Refrigerator Pak Can Organizer
- Sealed FreshLock Crisper With Humidity Control
- Snack Drawer
- Adjusti-Temp™ Deli Drawer
- Spill-Catcher™ Glass Crisper Shelf
- Easy-Glide Tempered-Glass Shelf
- Egg Bin With Lid/Snugger
- BrightSeries™ Lighting Package
- QuietSeries™ 200 Sound Package

Colors: High-Gloss White (GW), High-Gloss Black (GB), Silver Ultra-Finish (EU), Stainless Steel With Black Cabinet (ES)
(Product Available March 2006)

Note: Full-length handles not available on Stainless Steel models on pages 56 and 57.

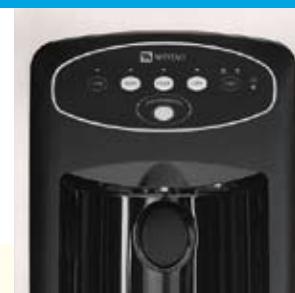


MSD2652K
25.6 Cu. Ft.

Standard Features Plus:

- Dual Cool™ System
- Water Filter Change Reminder And Control Lockout
- PuriClean® II Retractable Water/Ice Filter
- Beverage Chiller™ Compartment
- Sealed FreshLock Crisper
- Adjusti-Temp™ Deli Drawer
- Spill-Catcher™ Glass Crisper Shelf
- Easy-Glide Tempered-Glass Shelf
- BrightSeries™ Lighting Package
- QuietSeries™ 100 Sound Package

Colors: White (EW), Black (EB), High-Gloss White (GW), High-Gloss Black (GB), Silver Ultra-Finish (EU), Stainless Steel With Black Cabinet (ES)
(Product Available March 2006)



Electronic FrontFill™ Dispenser

Fills tall glasses or pitchers with ice and water at the touch of a button. Includes control lockout, auto night light and filter status. (select models)



Upfront Controls

Independently adjusts fresh food and freezer compartment temperatures; electronic touch-pad controls, digital displays and multiple sensors on select models. (Triple-Cool™ system shown)



Refrigerator Pak Can Organizer

Securely holds most 12-pack beverage boxes for easy dispensing of canned refreshments. (select models)



PuriClean® III Retractable Water/Ice Filter

Built-in 6-month filter helps to eliminate water impurities and cancer-causing contaminants (MTBEs and TTHMs) while retaining fluoride. (select models)



MSD2650H
25.6 Cu. Ft.

Standard Features Plus:

- Dual Cool™ System
- PuriClean® II Retractable Water/Ice Filter
- Sealed FreshLock Crisper
- QuietSeries™ 100 Sound Package

Colors: White (HEW), Bisque (HEQ), Black (HEB), Stainless Steel With Black Cabinet (KES)



MSD2352K
22.6 Cu. Ft.

Standard Features Plus:

- Dual Cool™ System
- Water Filter Change Reminder And Control Lockout
- PuriClean® II Retractable Water/Ice Filter
- Beverage Chiller™ Compartment
- Sealed FreshLock Crisper
- Adjusti-Temp™ Deli Drawer
- Spill-Catcher™ Glass Crisper Shelf
- Easy-Glide Tempered-Glass Shelf
- BrightSeries™ Lighting Package
- QuietSeries™ 100 Sound Package

Colors: White (EW), Black (EB), Stainless Steel With Black Cabinet (ES)
(Product Available March 2006)



CABINET-DEPTH DESIGN MCD2257H
22.6 Cu. Ft.

Standard Features Plus:

- Electronic Dual Cool™ System
- Water Filter Change Reminder And Control Lockout
- PuriClean® II Retractable Water/Ice Filter
- Elevator™ Shelf
- Sealed FreshLock Crispers With Automatic Humidity Control
- Adjusti-Temp™ Deli Drawer
- Spill-Catcher™ Glass Crisper Shelf
- Easy-Glide Tempered-Glass Shelves
- OpenWide™ Fully Extendable Drawer
- Egg Bin With Lid
- Tilt-Out Freezer Door Baskets
- BrightSeries™ Lighting Package
- QuietSeries™ 200 Sound Package
- Four-Point Leveling

Colors: White (EW), Black (EB), Stainless Steel With Black Cabinet (KES)

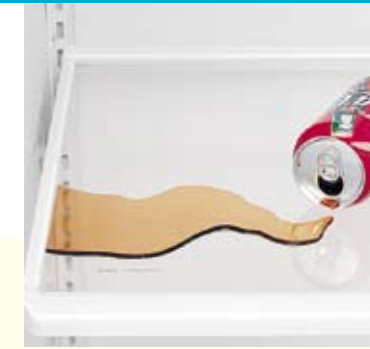
For additional feature information, see specification charts on pages 64 and 65.

Maytag® Top-Freezer Refrigerators

Packed With Features For Outstanding Performance.



Cool Flow™ Ventilation
Multiple vents in the fresh food and freezer compartments circulate cold air around large items. (select models)



Spill-Catcher™ Shelves
Sealed around the edges to contain liquids for quick and easy cleanup. (select models)



Sealed FreshLock Crispers With Humidity Control
The best place to store fruits and vegetables! Adjustable humidity control helps keep produce fresh longer. (select models)

STANDARD FEATURES YOU DEPEND ON FROM MAYTAG

FRESH FOOD FEATURES

- Glass Crisper Shelf
- Covered Dairy Compartment
- Refrigerator Lights
- Automatic Moisture Control

FREEZER FEATURES

- Deep Fixed Door Bins

EXTERIOR FEATURES

- Reversible Doors

BUILT-TO-LAST™ FEATURES

- Strongbox™ Hinge Design
- No-Clean™ Commercial-Duty Condenser
- Easy-Roll Wheels
- Dart-In-Channel Gaskets



MTB2195
20.97 Cu. Ft.

MTB1895
17.99 Cu. Ft.

MTB2195 (Stainless Steel, closed doors shown)

Standard Features Plus:

- Cool Flow™ Ventilation
- Easy-Glide Glass Shelves
- Split Spill-Catcher™ Shelves
- Sealed FreshLock Crispers With Humidity Control
- Pick-Off Dairy Compartment
- Clear Snack Center Drawer
- Pick-Off Gallon-Plus Door Bins
- Removable Egg Cradle
- Full-Width Freezer Shelf
- Tilt-Out Freezer Door Basket
- QuietSeries™ 200 Sound Package

Colors: White, Bisque, Black, Stainless Steel



MTF2195
20.97 Cu. Ft.

MTF1895
17.99 Cu. Ft.

Standard Features Plus:

- Factory-Installed Ice Maker
- Cool Flow™ Ventilation
- Easy-Glide Glass Shelves
- Split Spill-Catcher™ Shelves
- Sealed FreshLock Crispers With Humidity Control
- Pick-Off Dairy Compartment
- Clear Snack Center Drawer
- Pick-Off Gallon-Plus Door Bins
- Removable Egg Cradle
- Full-Width Freezer Shelf
- Tilt-Out Freezer Door Basket
- QuietSeries™ 200 Sound Package

Colors: White, Black, Stainless Steel



MTF2193
20.97 Cu. Ft.

MTF1893
17.99 Cu. Ft.

Standard Features Plus:

- Factory-Installed Ice Maker
- Cool Flow™ Ventilation
- Full-Width Spill-Catcher™ Shelves
- Sealed FreshLock Crispers With Humidity Control
- Clear Snack Center Drawer
- Pick-Off Gallon-Plus Door Bins
- Full-Width Freezer Shelf
- QuietSeries™ 100 Sound Package

Colors: White, Bisque, Black, Stainless Steel



MTF2191*
20.97 Cu. Ft.

MTB2191
20.97 Cu. Ft.

MTB1891
17.99 Cu. Ft.

Standard Features Plus:

- 2 Full-Width Glass Shelves
- Sealed FreshLock Crispers With Humidity Control
- Fixed Gallon-Plus Door Bins
- Clear Snack Center Drawer
- Full-Width Freezer Shelf
- QuietSeries™ 100 Sound Package

Colors: White, Bisque

*MTF2191 comes with a factory-installed ice maker and is available in White only.



MTB1504
15.0 Cu. Ft.

Standard Features Plus:

- Glass Shelves
- Fixed Gallon Door Bins
- Integrated Handle
- Sealed FreshLock Crispers With Humidity Control
- Full-Width Freezer Shelf
- Quiet Pack Sound Package

Colors: White, Bisque, Stainless Steel



MTB1504 (Stainless Steel, closed doors shown)

For additional feature information, see specification charts on page 66.

Maytag® Upright And Chest Freezers

Dependable, Energy-Saving Frozen Food Storage.



STANDARD FEATURES YOU DEPEND ON FROM MAYTAG

UPRIGHT FREEZER FEATURES

- Contoured Door
- Upfront Temperature Control
- Interior Light
- Fast-Freeze Setting
- Metal-Sculpted Handle
- Textured-Steel Cabinet
- Lock With Key
- Epoxy-Coated Shelves
- Full-Width Wire Shelves
- UL Commercial Rating

CHEST FREEZER FEATURES

- EvenFreeze™ Food Preservation System
- Exterior Temperature Control
- 2 Removable/Stackable Bins
- Interior Light
- Grip Handle
- Counterbalanced Lid
- Textured-Steel Cabinet And Lid
- Lock With Key
- UL Commercial Rating

BUILT-TO-LAST™ FEATURES

- Foamed Door/Lid
- Smooth Rust- And Impact-Resistant Liner
- Foamed-In-Place Door Liner (Uprights)

Contoured Door

Provides more capacity with a unique style. (upright models)

Upfront Control

Makes it easy to adjust the temperature. Fast-Freeze setting ensures quickest possible freezing. (upright models)

Defrost Drain With Cover

An exterior defrost drain allows water to flow out of freezer for easy disposal. (select models)

Exterior Temperature Control

Allows you to adjust the temperature without opening the freezer lid. (chest models)



MQU2057BE
20.0 Cu. Ft.

Standard Features Plus:

- 588 Lbs. Of Frozen Food Storage
- Auto Defrost
- 6 Fixed Door Bins
- Lower Basket

Color: White
(Product Available March 2006)



MQU2056BR
20.0 Cu. Ft.

Standard Features Plus:

- 588 Lbs. Of Frozen Food Storage
- Manual Defrost
- 6 Fixed Door Bins
- Defrost Drain
- Storage Gate

Color: White
(Product Available March 2006)



MQU1656BE
15.7 Cu. Ft.

Standard Features Plus:

- 450 Lbs. Of Frozen Food Storage
- Auto Defrost
- 4 Fixed Door Bins
- Storage Gate

Color: White
(Product Available March 2006)



MQU1654BE
15.9 Cu. Ft.

Standard Features Plus:

- 456 Lbs. Of Frozen Food Storage
- Manual Defrost
- 4 Fixed Door Bins
- Defrost Drain
- Storage Gate

Color: White
(Product Available March 2006)



MQC2257BE
21.7 Cu. Ft.

Standard Features Plus:

- 545 Lbs. Of Frozen Food Storage
- Manual Defrost
- Defrost Drain

Color: White
(Product Available March 2006)



MQC1557BE
14.8 Cu. Ft.

Standard Features Plus:

- 444 Lbs. Of Frozen Food Storage
- Manual Defrost
- Defrost Drain

Color: White
(Product Available March 2006)

For additional feature information, see specification charts on page 67.

Maytag® French Door Bottom-Freezer Refrigerators

Models	NEW! MFI2568	MFD2561	MFF2557	MFC2061
REFRIGERATOR FEATURES				
ENERGY STAR®-Qualified	★	★	★	★
Quad-Cool™ System	■			
Triple-Cool™ System		Electronic		Electronic
Dual Cool™ System			Electronic	
Twin Fresh Food Doors	Contoured	■	■	■
Exterior In-Door Electronic Ice And Water Dispenser	■			
Factory-Installed Ice Maker	■			
Ice Bin	■			
PureChill™ Internal Water Dispenser		■		■
PuriClean® II Retractable Water/Ice Filter	750-Gallon	750-Gallon	750-Gallon	750-Gallon
Adjustable Tempered-Glass Shelves	3 Split, 1 Mini	4 Split	4 Split	4 Split
Spill-Catcher™ Shelves	■	■	■	■
Easy-Glide Shelves	3	4		4
Elevator™ Shelf	■	■	■	■
Wide-N-Fresh™ Deli Drawer	■	■	■	■
Sealed FreshLock Crispers With Humidity Control	2	2	2	2
Pick-Off Gallon-Plus Door Bins	1	5	5	5
Beverage Chiller™ Compartment	■			
Pick-Off Covered Dairy Compartment	■	■	■	■
Removable Egg Cradle	■	■	■	■
Built-In Door Organizer	■			
Beverage Organizer™ Rack			■	
BrightSeries™ Lighting Package	■	■	■	■
Refrigerator Lights	3	2	2	2
Automatic Moisture Control	■	■	■	■
Water Filter Change Reminder	■	■	■	■
Max Cool Setting	■	■	■	■
Speed Ice™ Feature	■	■	■	■
Door Alarm/Temperature Alarms	■	■	■	■
Vacation Mode	■	■	■	■
Exterior Temperature Controls With Lockout	■	■	■	■
Bottle Caddy	■	■	■	■
Spill-Catcher™ Glass Crisper Shelf	■	■	■	■
FREEZER FEATURES				
Glide-Out Freezer Drawer	■	■	■	■
Factory-Installed Ice Maker		■	■	■
Slide-Out Bin Organization System	2 Upper, 2 Lower			
Slide-Out Baskets		1 Upper, 1 Lower	1 Upper, 1 Lower	1 Upper, 1 Lower
Lower Basket Divider	■	■	■	■
Freezer Light	■	■	■	■
Ice Bin		■	■	■
EXTERIOR FEATURES				
Radius Doors	■	■	■	■
QuietSeries™ Sound Package	200	200	200	200
Foam Door Insulation	■	■	■	■
COLOR AVAILABILITY				
Textured White	■	■	■	■
High-Gloss White	■			
Textured Bisque		■		
High-Gloss Bisque	■			
Textured Black	■			
High-Gloss Black	■			
Stainless Steel With Black Cabinet	■*	■*	■*	■*
VOLUME				
Total Shelf Area — sq. ft. (sq. m)	26.1 (2.4)	28.8 (2.7)	28.8 (2.7)	22.2 (2.1)
Total Volume — cu. ft. (cu. m)	24.9 (0.7)	24.8 (0.7)	24.8 (0.7)	19.8 (0.56)
Fresh Food Volume — cu. ft. (cu. m)	18.3 (0.5)	17.3 (0.49)	17.3 (0.49)	14.4 (0.41)
Freezer Volume — cu. ft. (cu. m)	6.61 (0.2)	7.5 (0.21)	7.5 (0.21)	5.4 (0.15)

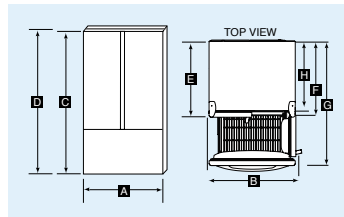
* With Stainless Steel towel-bar handles.

All Maytag® refrigerators are UL-, AGA-, CSA- or CGA-approved. All models listed may not be available from every Maytag dealer. Because of continuous product improvement, Maytag reserves the right to change specifications without notice.

Optional Door Panel Trim Kit: Decorator panels, trim (for wood panels), and trim and panel kits are available for all Maytag® bottom-freezer refrigerators. Panels are available in acrylic, mirrored, stainless steel, satin alloy, solid surface and real wood. To order, call Frigo Design at 1-800-836-8746. Be sure to provide refrigerator model number when ordering.

Maytag® French Door Bottom-Freezer Dimensions

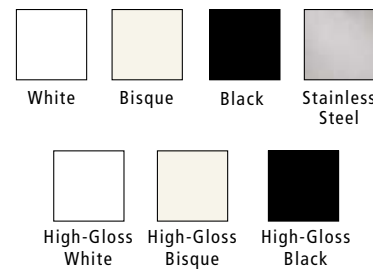
	MFI2568	MFD2561	MFF2557	MFC2061
A	35% (90.5)	35% (90.5)	35% (90.5)	35% (90.5)
B	39% (100.0)	38% (97.5)	38% (97.5)	37% (94.3)
C	68% (174.3)	68% (174.3)	68% (174.3)	68% (174.3)
D	70% (178.1)	69% (177.5)	69% (177.5)	69% (177.5)
E	35¼ (89.5)	34¼ (87)	34¼ (87)	29¼ (74.3)
F	32% (83.4)	31% (79.4)	31% (79.4)	26% (68)
G	48 (121.9)	48 (121.9)	48 (121.9)	43% (110.2)
H	29 (73.7)	29 (73.7)	29 (73.7)	24 (61)
SW	375 (170.1)	350 (158.8)	350 (158.8)	325 (147.4)



Bottom-Freezer

- A Width — in. (cm)
- B Width With Doors Open 90° Including Handles — in. (cm)
- C Height Excluding Door Hinge — in. (cm)
- D Height Including Door Hinge — in. (cm)
- E Depth Including Handle — in. (cm)
- F Depth Excluding Handle — in. (cm)
- G Depth With Doors Open 90° — in. (cm)
- H Depth Of Cabinet — in. (cm)
- SW Approximate Shipping Weight — lbs. (kg)

Exterior Color Options



Handle Accents For French Door Bottom-Freezer Models

Product Color	MFD2561/ MFC2061** Handle Color	MFF2557 Handle Color	MFI2568 Handle Color
Textured White	Monochromatic With Chrome Accent	Monochromatic With Chrome Accent	NA
Textured Bisque	Monochromatic With Bronze Accent	NA	NA
Textured Black	Monochromatic With Chrome Accent	Monochromatic With Chrome Accent	NA
Stainless Steel	Stainless Steel Towel-Bar	Stainless Steel Towel-Bar	Stainless Steel Towel-Bar
High-Gloss White	NA	NA	Monochromatic White
High-Gloss Bisque	NA	NA	Monochromatic Bisque
High-Gloss Black	NA	NA	Monochromatic Black

** Model MFC2061 is not available in bisque.

Maytag® Bottom-Freezer Refrigerators

Models	MBF2562*	MBF2556*	MBF2262*	MBF2256*	MBF2254	MBF1956*	MBB1952
REFRIGERATOR FEATURES							
ENERGY STAR®-Qualified	★	★	★	★	★	★	★
Triple-Cool™ System	Electronic		Electronic				
Dual Cool™ System		Electronic		Electronic	Electronic	Electronic	■
Adjustable Tempered-Glass Shelves	4 Split	4 Split	4 Split	4 Split	4 Split	4 Split	4 Split
Spill-Catcher™ Shelves	■	■	■	■		■	
Easy-Glide Shelves	■	■	■	■		■	
Elevator™ Shelf	■		■				
Deli Drawer		■		■	■	■	■
Wide-N-Fresh™ Deli Drawer	■		■				
Sealed FreshLock Crispers With Humidity Control	2	2	2	2	2	2	2
Pick-Off Gallon-Plus Door Bins	4	4	4	4	4	4	4
Pick-Off Covered Dairy Compartment	■	■	■	■	■	■	■
Removable Egg Cradle	■	■	■	■	■	■	
Beverage Organizer™ Rack	■	■	■	■	■	■	■
BrightSeries™ Lighting Package	■	■	■	■	■	■	■
Refrigerator Lights	2	2	2	2	2	2	2
Automatic Moisture Control	■	■	■	■	■	■	■
FREEZER FEATURES							
Glide-Out Freezer Drawer	■	■	■	■		■	
Swing-Out Freezer Door					■		■
Speed Ice™ Feature	■		■				
Automatic Ice Maker Option							IC11B
Factory-Installed Ice Maker	■	■	■	■	■	■	■
Wire Shelf					■		■
Slide-Out Wire Drawer	■	■	■	■		■	
Slide-Out Wire Basket	■	■	■	■	■	■	■
Lower Basket Divider	■	■	■	■		■	
Deep Fixed Door Bin					■		■
Freezer Light	■	■	■	■	■	■	■
Ice Bin	■	■	■	■	■	■	■
Ice Cube Trays							2
EXTERIOR FEATURES							
Reversible Doors	■*	■*	■*	■*	■	■*	■
Radius Doors	■	■	■	■	■	■	■
QuietSeries™ Sound Package	200	200	200	200	100	200	100
Foam Door Insulation	■	■	■	■	■	■	■
COLOR AVAILABILITY							
White	■	■	■	■	■	■	■
Bisque		■		■	■		
Black	■	■	■	■	■	■	■
Stainless Steel With Black Cabinet	■*	■*	■*	■*		■*	
VOLUME							
Total Shelf Area — sq. ft. (sq. m)	28.9 (2.7)	29 (2.7)	24.9 (2.3)	23.5 (2.2)	23.5 (2.2)	21 (1.9)	21 (1.9)
Total Volume — cu. ft. (cu. m)	25.1 (0.71)	25.1 (0.71)	22.1 (0.63)	22.1 (0.63)	22.1 (0.63)	18.6 (0.53)	18.6 (0.53)
Fresh Food Volume — cu. ft. (cu. m)	17.8 (0.5)	17.8 (0.5)	15.6 (0.44)	15.6 (0.44)	15.6 (0.44)	12.9 (0.37)	12.9 (0.37)
Freezer Volume — cu. ft. (cu. m)	7.3 (0.21)	7.3 (0.21)	6.3 (0.18)	6.3 (0.18)	6.3 (0.18)	5.6 (0.16)	5.6 (0.16)

*Stainless Steel versions: specify right-swing door (MBR2562, MBR2556, MBR2262, MBR2256, MBR1956) or left-swing door (MBL2562, MBL2556, MBL2262, MBL2256, MBL1956) when ordering.

Maytag® Bottom-Freezer Dimensions

	MBF2562, MBR2562 MBL2562, MBF2556	MBF2262, MBR2262 MBL2262, MBF2256, MBF2254	MBF1956 MBB1952
A	35% (90.5)	32% (83.2)	29% (75.3)
B	38% (97.5)	35% (89.9)	32% (82.2)
C	68% (174.3)	68% (174.3)	68% (174.3)
D	69% (177.5)	69% (177.5)	66% (169.9)
E	34¼ (87)	33¼ (84.5)	33¼ (84.5)
F	31% (80.7)	30% (78.1)	30% (78.1)
G	66% (168)	62% (157.8)	59% (150.2)
H	29 (73.7)	28 (71.1)	28 (71.1)
SW	350 (158.8)	310 (140.6)	270 (122.5)

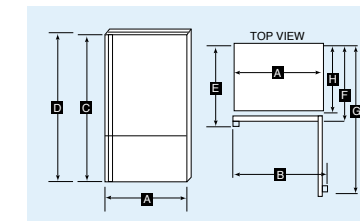
All Maytag® refrigerators are UL-, AGA-, CSA- or CGA-approved. All models listed may not be available from every Maytag dealer. Because of continuous product improvement, Maytag reserves the right to change specifications without notice.

Optional Door Panel Trim Kit: Decorator panels, trim (for wood panels), and trim and panel kits are available for all Maytag® bottom-freezer refrigerators. Panels are available in acrylic, mirrored, stainless steel, satin alloy, solid surface and real wood. To order, call Frigo Design at 1-800-836-8746. Be sure to provide refrigerator model number when ordering.

Handle Accents For Bottom-Freezer Models

Product Color	MBF2562, MBF2262 Handle Color	MBR2562, MBL2562, MBR2262, MBL2262, MBR2556, MBL2556, MBR2256, MBL2256, MBR1956, MBL1956 Handle Color**	MBF2556, MBF2256, MBL2254, MBF1956, MBB1952 Handle Color
White	Monochromatic With Chrome Accent	NA	Monochromatic
Bisque	NA	NA	Monochromatic
Black	Monochromatic With Chrome Accent	NA	Monochromatic
Stainless Steel	NA	Stainless Steel Towel-Bar	Stainless Steel Towel-Bar

** Models only available in stainless steel.



Bottom-Freezer

- A Width — in. (cm)
- B Width With Door Open 90° Including Handle — in. (cm)
- C Height Excluding Door Hinge — in. (cm)
- D Height Including Door Hinge — in. (cm)
- E Depth Including Handle — in. (cm)
- F Depth Excluding Handle — in. (cm)
- G Depth With Door Open 90° — in. (cm)
- H Depth Of Cabinet — in. (cm)
- SW Approximate Shipping Weight — lbs. (kg)

Maytag® Wide-By-Side™ Refrigerators

Models	MZD2666	MZD2663
REFRIGERATOR FEATURES		
ENERGY STAR®-Qualified	★	★
Dual Cool™ System	Electronic	■
PuriClean® II Retractable Water/Ice Filter	750-Gallon	750-Gallon
Adjustable Tempered-Glass Shelves	3	3
Elevator™ Shelf	■	■
Spill-Catcher™ Shelves	■	■
Easy-Glide Shelves	3	3
Spill-Catcher™ Glass Crisper Shelf	■	■
Sealed FreshLock Crisper With Humidity Control	1 With Rollers	1
Snack Drawer	1 With Rollers	■
Deli Drawer	■	■
Adjusti-Temp™ Deli Drawer	1 With Rollers	■
Pick-Off Gallon-Plus Door Bins	3	5
Beverage Chiller™ Compartment	■	■
Adjusti-Temp™ Covered Dairy Compartment	■	■
Removable Egg Cradle	■	■
Egg Bin With Lid/Snuggers	■	■
BrightSeries™ Lighting Package	■	■
Refrigerator Lights	3	3
Automatic Moisture Control	■	■
FREEZER FEATURES		
Adaptive Defrost Feature	■	■
Factory-Installed Ice Maker	■	■
Wire Shelves	2	4
Slide-Out Wire Baskets	2	1
Tilt-Out Wire Door Baskets	2	■
Pick-Off Door Bins	2	4
Freezer Lights	3	3
EXTERIOR FEATURES		
Electronic Cube/Crushed Ice And Water Dispenser	■	■
Water Filter Change Reminder Light And Lock	■	■
Radius Doors	■	■
QuietSeries™ Sound Package	200	100
Foam Door Insulation	■	■
COLOR AVAILABILITY		
White	■	■
Bisque	■	■
Black	■	■
Stainless Steel With Black Cabinet	■	■
VOLUME		
Total Shelf Area — sq. ft. (sq. m)	24.3 (2.26)	25.1 (2.33)
Total Volume — cu. ft. (cu. m)	25.6 (0.72)	25.6 (0.72)
Fresh Food Volume — cu. ft. (cu. m)	16.3 (0.46)	16.3 (0.46)
Freezer Volume — cu. ft. (cu. m)	9.2 (0.26)	9.2 (0.26)

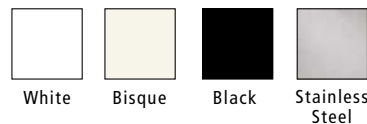
All Maytag® refrigerators are UL-, AGA-, CSA- or CGA-approved. All models listed may not be available from every Maytag dealer. Because of continuous product improvement, Maytag reserves the right to change specifications without notice.

Optional Door Panel Trim Kit: Decorator panels, trim (for wood panels), and trim and panel kits are available for all Maytag® side-by-side refrigerators. Panels are available in acrylic, mirrored, stainless steel, satin alloy, solid surface and real wood. To order, call Frigo Design at 1-800-836-8746. Be sure to provide refrigerator model number when ordering.

Handle Accents For Wide-By-Side™ Models

Product Color	MZD2666 Handle Color	MZD2663 Handle Color
White, Black	Monochromatic With Chrome Accent	Monochromatic
Bisque	NA	Monochromatic
Stainless Steel	Stainless Steel-Look	Black

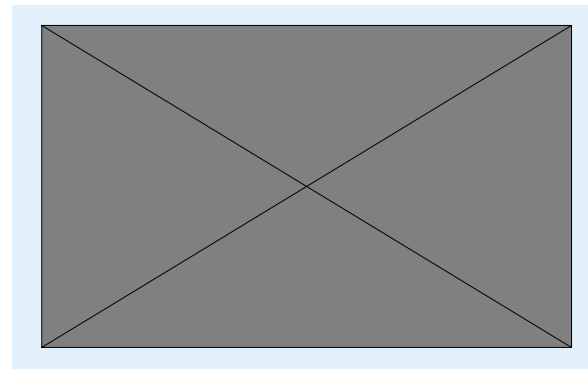
Exterior Color Options



Maytag® Wide-By-Side™ And Side-By-Side Dimensions

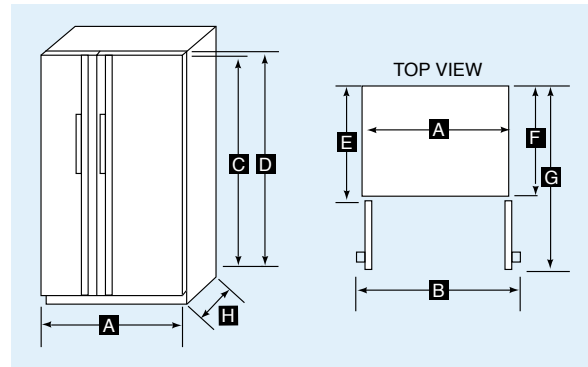
Wide-By-Side™ Side-By-Side

	MZD2666 MZD2663	MSD2660 MSD2656 MSD2652 MSD2650	MSD2352	MCD2257
A	35% (90.5)	35% (90.5)	32% (82.9)	35% (90.5)
B	40% (103.5)	40% (103.5)	37% (95.5)	40% (103.5)
C	68½ (174)	68½ (174)	66½ (169.9)	68½ (174)
D	70 (177.8)	70 (177.8)	68% (173.7)	70 (177.8)
E	33¼ (84.5)	33¼ (84.5)	33¼ (84.5)	29¼ (74.3)
F	30% (78.1)	30% (78.1)	30% (78.1)	26% (67.9)
G	52 (132.1)	49½ (125.7)	49 (124.5)	45½ (115.6)
H	28 (71.1)	28 (71.1)	28 (71.1)	24 (61)
SW	343 (155.6)	343 (155.6)	315 (142.9)	300 (136.1)



Wide-By-Side™

- A Width — in. (cm)
- B Width With Doors Open 90° Including Handles — in. (cm)
- C Height Excluding Door Hinge — in. (cm)
- D Height Including Door Hinge — in. (cm)
- E Depth Including Handle — in. (cm)
- F Depth Excluding Handle — in. (cm)
- G Depth With Doors Open 90° — in. (cm)
- H Depth Of Cabinet — in. (cm)
- SW Approximate Shipping Weight — lbs. (kg)



Side-By-Side

- A Width — in. (cm)
- B Width With Doors Open 90° Including Handles — in. (cm)
- C Height Excluding Door Hinge — in. (cm)
- D Height Including Door Hinge — in. (cm)
- E Depth Including Handle — in. (cm)
- F Depth Excluding Handle — in. (cm)
- G Depth With Doors Open 90° — in. (cm)
- H Depth Of Cabinet — in. (cm)
- SW Approximate Shipping Weight — lbs. (kg)

Maytag® Side-By-Side Refrigerators

Models	MSD2660	MSD2656	MSD2652	MSD2650	MSD2352	MCD2257
REFRIGERATOR FEATURES						
ENERGY STAR®-Qualified	★	★	★	★	★	★
Triple-Cool™ System With Cool Flow Ventilation	Electronic	■	■	■	■	■
Max Cool Setting	■	■	■	■	■	■
Vacation Mode	■	■	■	■	■	■
Door Alarm/Temperature Alarms	■	■	■	■	■	■
Dual Cool™ System	■	Electronic	■	■	■	Electronic
Retractable Water/Ice Filter	PuriClean® III	PuriClean® II	PuriClean® II	PuriClean® II	PuriClean® II	PuriClean® II
Adjustable Tempered-Glass Shelves	3	3	3	3	3	3
Elevator™ Shelf	■	■	■	■	■	■
Spill-Catcher™ Shelves	■	■	■	■	■	■
Easy-Glide Shelves	3	1	1	■	1	3
Spill-Catcher™ Glass Crisper Shelf	■	■	■	■	■	■
Sealed FreshLock Crispers:	■	1	1	1	1	■
With Automatic Humidity Control	1 Fully Extendable 1 Roll-Out	■	■	■	■	2 Fully Extendable
With Humidity Control	■	1	■	■	■	■
OpenWide™ Fully Extendable Drawers	2	■	■	■	■	■
Snack Drawer	■	■	■	■	■	■
Deli Drawer	■	■	■	■	■	■
Adjusti-Temp™ Deli Drawer	■	■	■	■	■	■
Pick-Off Gallon-Plus Door Bins	2	2	3	4	3	2
Tilt-Out Door Bin	■	■	■	■	■	■
Beverage Chiller™ Compartment	■	■	■	■	■	■
Covered Dairy Compartment	■	■	■	■	■	■
Egg Bin	With Lid	With Lid	■	■	■	With Lid
Under-Shelf Adaptable Storage Rack	■	■	■	■	■	■
Refrigerator Pak Can Organizer	■	■	■	■	■	■
BrightSeries™ Lighting Package	■	■	■	■	■	■
Refrigerator Lights	3	3	3	2	3	3
Automatic Moisture Control	■	■	■	■	■	■
FREEZER FEATURES						
Adaptive Defrost Feature	■	■	■	■	■	■
Speed Ice™ Feature	■	■	■	■	■	■
Factory-Installed Ice Maker	■	■	■	■	■	■
Wire Shelves	2	3	4	3	4	1
Slide-Out Wire Baskets	3	1	Bin	Bin	Bin	3
Fully Extendable Wire Baskets	3	■	■	■	■	■
Tilt-Out Wire Door Baskets	2	■	■	■	■	2
Pick-Off Door Bins	2	4	4	4	4	2
Freezer Lights	3	3	3	1	3	3
EXTERIOR FEATURES						
Electronic FrontFill™ Dispenser	■	■	■	■	■	■
Electronic Cube/Crushed Ice And Water Dispenser	■	■	■	■	■	■
Water Filter Change Reminder Light And Control Lockout	■	■	■	■	■	■
Radius Doors	■	■	■	■	■	■
QuietSeries™ Sound Package	200	200	100	100	100	200
Foam Door Insulation	■	■	■	■	■	■
COLOR AVAILABILITY						
White	■	■	■	■	■	■
Bisque	■	■	■	■	■	■
Black	■	■	■	■	■	■
Stainless Steel With Black Cabinet	■*	■*	■*	■*	■*	■*
High-Gloss White	■	■	■	■	■	■
High-Gloss Black	■	■	■	■	■	■
Silver Ultra-Finish With Black Cabinet	■	■	■	■	■	■
VOLUME						
Total Shelf Area — sq. ft. (sq. m)	23.5 (0.59)	23.6 (2.2)	24.1 (2.2)	20.6 (1.9)	24.1 (2.2)	19.8 (1.8)
Total Volume — cu. ft. (cu. m)	25.6 (0.72)	25.6 (0.72)	25.6 (0.72)	25.6 (0.72)	22.6 (0.64)	21.6 (0.61)
Fresh Food Volume — cu. ft. (cu. m)	15.8 (0.45)	15.8 (0.45)	15.8 (0.45)	15.8 (0.45)	14.8 (0.42)	13.5 (0.38)
Freezer Volume — cu. ft. (cu. m)	9.8 (0.27)	9.8 (0.27)	9.8 (0.27)	9.8 (0.27)	7.9 (0.22)	8.1 (0.23)

* With Stainless Steel towel-bar handles.

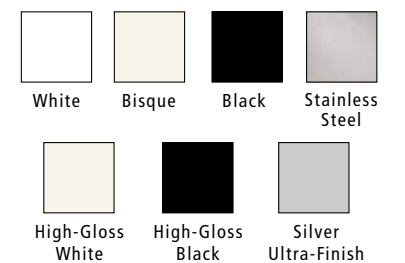
Handle Accents For Side-By-Side Models

Product Color	MSD2660 Handle Color	MDS2656 Handle Color	MSD2652/MSD2352 Handle Color	MSD2650 Handle Color
Textured White	NA	NA	Monochromatic	Monochromatic
Textured Bisque	NA	NA	NA	Monochromatic
Textured Black	NA	NA	Monochromatic	Monochromatic
Stainless Steel	Stainless Steel Towel-Bar	Stainless Steel Towel-Bar	Stainless Steel Towel-Bar	Stainless Steel Towel-Bar
High-Gloss White	High-Gloss White	High-Gloss White	High-Gloss White/NA	NA
High-Gloss Black	High-Gloss Black	High-Gloss Black	High-Gloss Black/NA	NA
Silver Ultra-Finish	NA	Monochromatic Black	Monochromatic Black/NA	NA

All Maytag® refrigerators are UL-, AGA-, CSA- or CGA-approved. All models listed may not be available from every Maytag dealer. Because of continuous product improvement, Maytag reserves the right to change specifications without notice.

Optional Door Panel Trim Kit: Decorator panels, trim (for wood panels), and trim and panel kits are available for all Maytag® side-by-side refrigerators. Panels are available in acrylic, mirrored, stainless steel, satin alloy, solid surface and real wood. To order, call Frigo Design at 1-800-836-8746. Be sure to provide refrigerator model number when ordering.

Exterior Color Options



Maytag® Top-Freezer Refrigerators

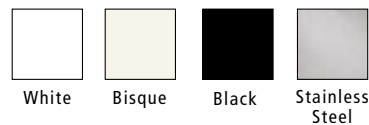
Models	MTB2195	MTF2195	MTF2193	MTB2191	MTF2191	MTB1895	MTF1895	MTF1893	MTB1891	MTB1504
REFRIGERATOR FEATURES										
ENERGY STAR®-Qualified	★	★				★	★			
Cool Flow™ Ventilation	■	■	■			■	■	■		
Adjustable Tempered-Glass Shelves	4 Split	4 Split				4 Split	4 Split			
Full-Width Sealed Glass Shelves			2					2		
Full-Width Glass Shelves				2	2				2	2
Spill-Catcher™ Glass Shelves	■	■	■			■	■	■		
Easy-Glide Shelves	4	4				4	4			
Snack Center Drawer	■	■	■	■	■	■	■	■	■	■
FreshLock Crispers With Humidity Control	2	2	2	2	2	2	2	2	2	2
Glass Crisper Shelf	■	■	■	■	■	■	■	■	■	■
Pick-Off Gallon-Plus Door Bins	4	4	4			4	4	4		
Fixed Gallon-Plus Door Bins				2	2				2	2
Fixed Door Bin	■	■	■	■	■	■	■	■	■	■
Covered Dairy Compartment	■	■	■	■	■	■	■	■	■	■
Removable Egg Cradle	■	■	■	■	■	■	■	■	■	■
Refrigerator Lights	■	■	■	■	■	■	■	■	■	■
Automatic Moisture Control	■	■	■	■	■	■	■	■	■	■
FREEZER FEATURES										
Automatic Ice Maker Option	UKI1500AXX			UKI1500AXX		UKI1500AXX			UKI1500AXX	UKI1500AXX
Factory-Installed Ice Maker		■	■		■		■	■		■
Half-Width Shelf										
Full-Width Adjustable Wire Shelf	■	■	■	■	■	■	■	■	■	■
Tilt-Out Wire Door Basket	■	■	■			■	■			
Deep Fixed Door Bins	■	■	■	■	■	■	■	■	■	■
Freezer Light	■	■	■			■	■	■		
Ice Cube Trays	2			2		2			2	2
EXTERIOR FEATURES										
Reversible Doors	■	■	■	■	■	■	■	■	■	■
Integrated Handle										■
Sound Package	QuietSeries™ 200	QuietSeries™ 200	QuietSeries™ 100	QuietSeries™ 100	QuietSeries™ 100	QuietSeries™ 200	QuietSeries™ 200	QuietSeries™ 100	QuietSeries™ 100	Quiet Pack
Foamed-In-Place Doors	■	■	■	■	■	■	■	■	■	■
No-Clean™ Commercial-Duty Condenser	■	■	■	■	■	■	■	■	■	■
COLOR AVAILABILITY										
White	■	■	■	■	■	■	■	■	■	■
Bisque	■		■	■		■		■	■	■
Black	■	■	■			■	■			■
Stainless Steel With Black Cabinet	■	■	■			■	■	■		■
VOLUME										
Total Shelf Area — sq. ft. (sq. m)	25.9 (2.4)	25.9 (2.4)	25.9 (2.4)	25.9 (2.4)	25.9 (2.4)	21.08 (2.0)	21.08 (2.0)	21.08 (2.0)	21.08 (2.0)	17.6 (1.6)
Total Volume — cu. ft. (cu. m)	21 (0.59)	21 (0.59)	21 (0.59)	21 (0.59)	21 (0.59)	18.1 (0.51)	18.1 (0.51)	18.1 (0.51)	18.1 (0.51)	15 (0.42)
Fresh Food Volume — cu. ft. (cu. m)	14.9 (0.42)	14.9 (0.42)	14.9 (0.42)	14.9 (0.42)	14.9 (0.42)	13 (0.37)	13 (0.37)	13 (0.37)	13 (0.37)	10.85 (0.31)
Freezer Volume — cu. ft. (cu. m)	6.1 (0.17)	6.1 (0.17)	6.1 (0.17)	6.1 (0.17)	6.1 (0.17)	5.1 (0.14)	5.1 (0.14)	5.1 (0.14)	5.1 (0.14)	4.15 (0.11)

All Maytag® refrigerators are UL-, AGA-, CSA- or CGA-approved. All models listed may not be available from every Maytag dealer. Because of continuous product improvement, Maytag reserves the right to change specifications without notice.

Optional Door Panel Trim Kit:

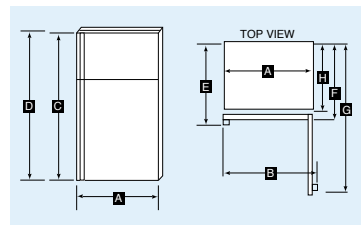
Decorator panels, trim (for wood panels), and trim and panel kits are available for all Maytag® top-freezer refrigerators. Panels are available in acrylic, mirrored, stainless steel, satin alloy, solid surface and real wood. To order, call Frigo Design at 1-800-836-8746. Be sure to provide refrigerator model number when ordering.

Exterior Color Options



Maytag® Top-Freezer Dimensions

	MTB2195	MTF2195	MTF2193	MTB2191	MTF2191	MTB1895	MTF1895	MTF1893	MTB1891	MTB1504
A	32¼ (83.2)	29¾ (75.2)								28 (71.1)
B	35¾ (90.8)	32¾ (82.9)								28 (71.1)
C	66 (167.6)	66 (167.6)								61½ (155.3)
D	66½ (169.2)	66½ (169.2)								61½ (157.2)
E	32 (81.3)	31¾ (80.6)								28½ (72.4)
F	30¾ (77.2)	29¾ (75.2)								28½ (72.4)
G	60½ (153.7)	56½ (143.5)								54½ (138.4)
H	26¾ (67.6)	26¼ (66.7)								25¼ (64.1)
SW	221 (100)					194 (88)				208 (94.3)



Top-Freezer

- A Width — in. (cm)
- B Width With Door Open 90° Including Handle — in. (cm)
- C Height Excluding Door Hinge — in. (cm)
- D Height Including Door Hinge — in. (cm)
- E Depth Including Handle — in. (cm)
- F Depth Excluding Handle — in. (cm)
- G Depth With Door Open 90° — in. (cm)
- H Depth Of Cabinet — in. (cm)
- SW Approximate Shipping Weight — lbs. (kg)

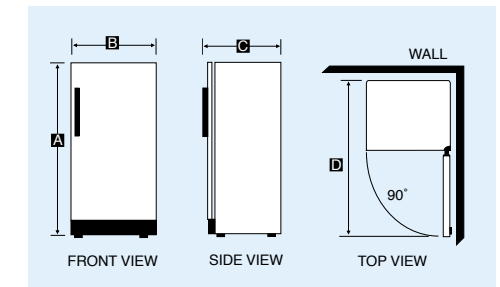
Upright

Chest

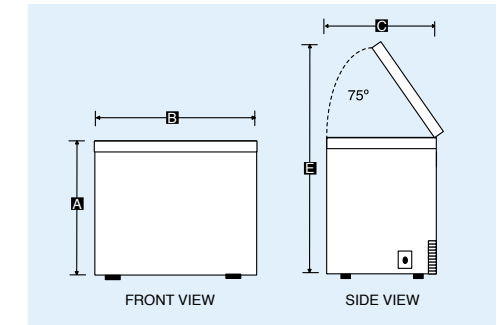
Models	MQU2057	MQU2056	MQU1656	MQU1654	MQC2257	MQC1557
FREEZER FEATURES						
ENERGY STAR®-Qualified	★		★	★	★	★
EvenFreeze™ Food Preservation System					■	■
Fast-Freeze Setting	■	■	■	■		
Manual Defrost		■		■	■	■
Auto Defrost	■	■	■	■		
Upfront Adjustable Temperature Control	■	■	■	■	External	External
Full-Width Wire Shelves	4 Slide-Out	4 Fixed	3 Slide-Out	3 Slide-Out		
Fixed Door Bins	6	6	4	4		
Removable Baskets/Bins	1 Basket				2 Stackable Bins	2 Stackable Bins
Storage Gate		■	■	■		
Defrost Drain		■		■	■	■
Interior Light	■	■	■	■	■	■
UL Commercial Rating	■	■	■	■	■	■
EXTERIOR FEATURES						
Contoured Door	■	■	■	■		
Lock With Key	■	■	■	■	■	■
Handle	Metal-Sculpted	Metal-Sculpted	Metal-Sculpted	Metal-Sculpted	Grip	Grip
Flat Back	■	■	■	■		
Smooth Rust- And Impact-Resistant Liner	■	■	■	■	■	■
Textured-Steel Cabinet	■	■	■	■	■	■
Foamed Door/Lid	■	■	■	■	■	■
Counterbalanced Lid					■	■
VOLUME						
Total Volume — cu. ft. (cu. m)	20.0 (0.57)	20.0 (0.57)	15.7 (0.44)	15.9 (0.45)	21.7 (55.1)	14.8 (0.42)
Food Storage Capacity — lbs. (kg)	588 (266.7)	588 (266.7)	450 (204.1)	456 (206.8)	545 (247.2)	444 (201.4)
A - Height — in. (cm)	66.5 (168.9)	66.5 (168.9)	60.5 (153.7)	60.5 (153.7)	35 (88.9)	35 (88.9)
B - Width — in. (cm)	33 (83.8)	33 (83.8)	30 (76.2)	30 (76.2)	64.9 (164.8)	46.1 (117.2)
C - Depth — in. (cm)	28.3 (71.9)	28.3 (71.9)	28.3 (71.9)	28.3 (71.9)	29.4 (74.7)	29.4 (74.6)
D - Depth With Door Open 90° — in. (cm)	59.5 (151.1)	59.5 (151.1)	56.5 (143.5)	56.5 (143.5)		
E - Height With Lid Open 75° — in. (cm)					60.4 (153.4)	60.4 (153.4)
Air Clearance — Sides And Top — in. (cm)	3 (7.6)	3 (7.6)	3 (7.6)	3 (7.6)	3 (7.6)	3 (7.6)
Shipping Weight — lbs. (kg)	211 (95.7)	206 (93.4)	176 (79.8)	178 (80.7)	220 (99.8)	176 (79.8)

All Maytag® freezers are UL-, AGA-, CSA- or CGA-approved. All models listed may not be available from every Maytag dealer. Because of continuous product improvement, Maytag reserves the right to change specifications without notice.

Maytag® Upright Freezer



Maytag® Chest Freezer



Exterior Color

