

SONY

KDS-R60XBR2
KDS-R70XBR2

Quick Setup Guide

For further information, see the Operating Instructions supplied with the TV. Please retain this guide for your future reference.

Please follow the steps to set up your TV:

- 1 Connecting Your TV (See reverse side)
- 2 TV Guide On Screen™ System
- 3 Using the Remote Control

For Your Convenience

Please contact Sony directly if you have questions on the use of your television after reading your Quick Setup Guide and manual. Contact Sony Customer Support at: <http://www.sony.com/tvsupport>

Or to speak with a support representative:

United States 1-800-222-SONY (7669) 8:00 AM - 10:00 PM (EST) Mon - Fri 10:30 AM - 7:15 PM (EST) Sat - Sun	Canada 1-877-899-SONY (7669) 8:00 AM - 6:00 PM (Eastern) 8:00 AM - 5:00 PM (Western)
---	--

Please Do Not Return the Product to the Store

Sony Corporation © 2006 Printed in U.S.A.

In the United States, TV Guide and other related marks are registered marks of Gemstar-TV Guide International, Inc. and/or one of its affiliates. In Canada, TV Guide is a registered mark of Transcontinental Inc., and is used under license by Gemstar-TV Guide International, Inc.



Considering the Signal Types

The signal types make a difference in the picture quality. To get the best picture quality, consider the signal types and the connection best suited for that signal type. The chart below shows the different signal types.

Best Signal Performance	Comments	Sources
High Definition Content	Best Picture Quality 16:9 Aspect Ratio	Over-The-Air Antenna Digital Cable Subscription Digital Satellite Subscription
Digital Content	Good Picture Quality Aspect Ratio based on Program	Over-The-Air Antenna Digital Cable Subscription Digital Satellite Subscription
Analog Content	Original TV format 4:3 Aspect Ratio	Over-The-Air Antenna Cable Subscription

Even with High Definition or Digital Content Subscriptions, not all content may be available in those formats. Each individual program will list if it is available in HD format. Contact your local service provider for details on your service and available programming.

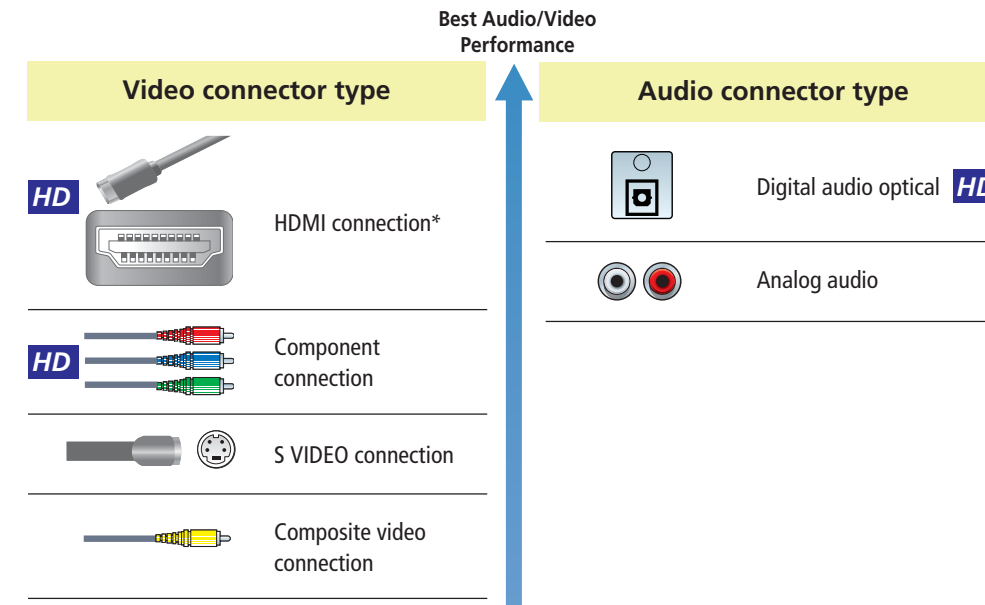
In order to receive High Definition, you should use HDMI or component YPbPr video connection to your video equipment or coaxial to your over-the-air broadcast antenna. Connection using the yellow composite or S VIDEO will not provide HD quality signal to your TV.

To learn more about HDTV, visit: <http://www.sony.com/HDTV>

1 Connecting Your TV

Making Audio/Video Connections

Your new TV includes various types of audio/video inputs and jacks. Use the outputs/inputs that are available on your connecting equipment to provide the best audio/video performance.



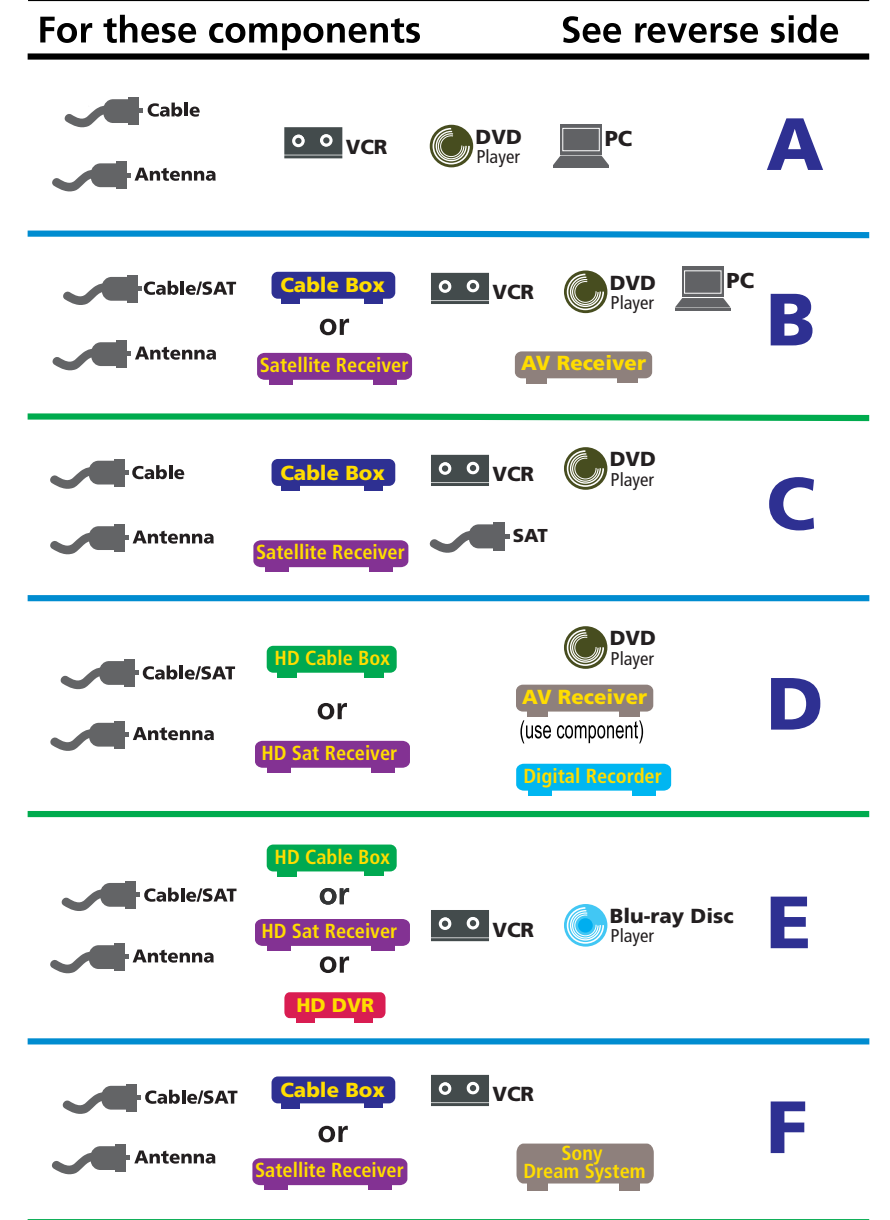
* See the Operating Instructions for connection between HDMI to DVI.

Getting HD Programming

Contact your local cable or satellite TV provider for details on how to upgrade to High-Definition (HD) programming. Additional equipment and subscription fees may apply.

- For information on availability of HD programming using an antenna (HDTV with integrated HD tuner required), visit www.antennaweb.org
- For an interactive guide on cable requirements and how to connect audio and video devices, visit www.ceaconnectionsguide.com

Review the following chart to determine which diagram to use to connect the components in your system: Turn off and unplug all components before making connections.

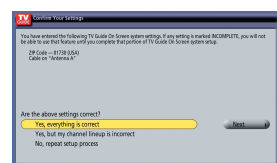
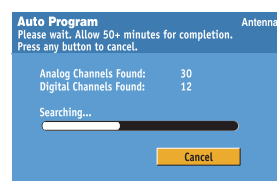


2 TV Guide On Screen™ System

Initial Setup

Use the remote control when following the steps below.

- Press POWER on the TV front panel to turn on the TV. The Initial Setup screen appears.
 - Press \uparrow/\downarrow to highlight the on-screen display language, then press \oplus . The Date and Time screen appears.
 - Press $\uparrow/\downarrow/\leftarrow/\rightarrow$ to set the current date and time.
 - When you finish setting the date and time, highlight "OK" and press \oplus . The message "Start auto program now?" appears.
 - Press \uparrow/\downarrow to highlight "Yes" then press \oplus . Auto Program performed through Initial Setup will automatically create a list of receivable channels from both VHF/UHF antenna and cable TV channels if both sources are connected.
 - After Auto Program is complete, press \oplus to proceed to the TV Guide On Screen system setup.
 - When the Welcome screen appears, press \oplus again to begin the setup.
- Make sure you finish Auto Program before starting the TV Guide On Screen system setup.
- To run Auto Program afterwards, refer to the "Initial Setup" and "Auto Program" sections of the Operating Instructions.
- After all the setup is complete, verify the setup information, and if it is correct, select "Yes" to end setup.



TV Guide On Screen System Component

The LISTINGS screen below will appear only after the Initial Setup has been completed. You will not see this screen unless you first run Initial Setup.



- Video Window** - Displays the current TV video while the TV Guide On Screen system is displayed.
- Clock** - Displays the current time.
- Title** - Displays the show's title. Highlighted title indicates the active title.
- Current Service Label** - Indicates the current TV Guide On Screen system service that the TV is using.
- Service Bar** - Provides access to the 4 main TV Guide On Screen system services.
- Info Icon** - Press the DISPLAY button on the remote control to cycle through the various Info Box sizes.
- Info Box** - Provides information on the highlighted program.
- Time Slot** - Provides program airing time.
- Tile** - Displays the specific TV station and program of the current listing.
- Remind Icon** - Indicates that a reminder option is set for the program.
- HDTV Show Icon** - Indicates the program is being broadcast in High Definition.
- Channel Logo/Number** - Displays the channel logo and/or number for easy network identification.
- Panel Menu / Panel Ad** - Press the MENU button on the remote control to view the Panel Menu, which displays menu items for different services. Panel Ad displays product or show information (advertisement).

The TV Guide On Screen system service requires access to selected broadcasts which may not be available in all cases.

3 Using the Remote Control

Programming the Remote Control

The remote control is preset to operate most Sony brand video equipment. Follow the steps below to program your TV's remote control to operate non-Sony video equipment. Find the three-digit code for your equipment from the "Manufacturer's Codes". Refer to the Operating Instructions for codes.

- Press and hold the VIDEO , OVERVIEW or SATELITE FUNCTION button you want to program on the remote control and press the ENT button simultaneously. The selected FUNCTION button (VIDEO , OVERVIEW or SATELITE) will flash.
- Within 10 seconds (while the FUNCTION button is lit), enter the three-digit manufacturer's code number using the 0-9 buttons. If the code is not entered within 10 seconds, you must start again from step 1.

When the programming is correct, the selected FUNCTION button blinks twice, and when not, blinks five times.

When the programming is correct, the selected FUNCTION button blinks twice, and when not, blinks five times.

- Aim your TV's remote control at the equipment, and press the green POWER button. If you can turn the equipment on and off by using the remote control, then the programming is complete. If not, try the next code listed.

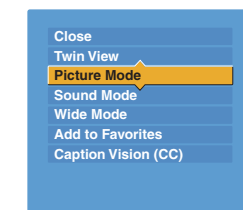
For tips on programming the remote control, refer to the "Programming the Remote Control" section of the Operating Instructions.



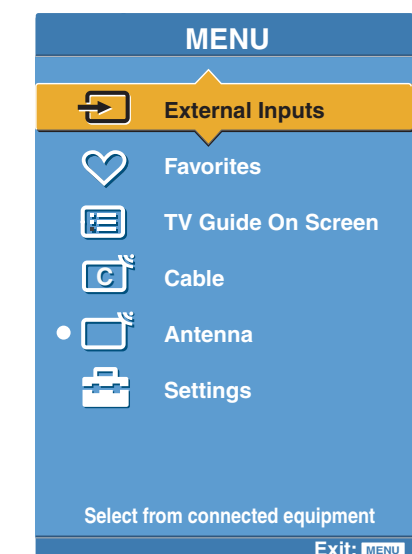
Special Buttons to Remember

WIDE: Depending on the broadcast signal or the way the DVD disc is formatted, you may see bars on the screen or stretched images. Press the WIDE button repeatedly to cycle through different screen modes and select the mode that best meets your TV viewing.

TOOLS: This button provides an alternate way to access some of the features. It also provides direct access to some of the "Settings" menu options. The menu you can select may vary depending on the input signal.



MENU: This button allows you to easily navigate to the most convenient TV functions shown below: External Inputs, Favorites, TV Guide On Screen, last viewed TV channel from Cable or Antenna, and Settings. The Settings option enables you to make adjustments and customize settings for Picture, Sound, Screen, Channel, Parental Lock and more.



A

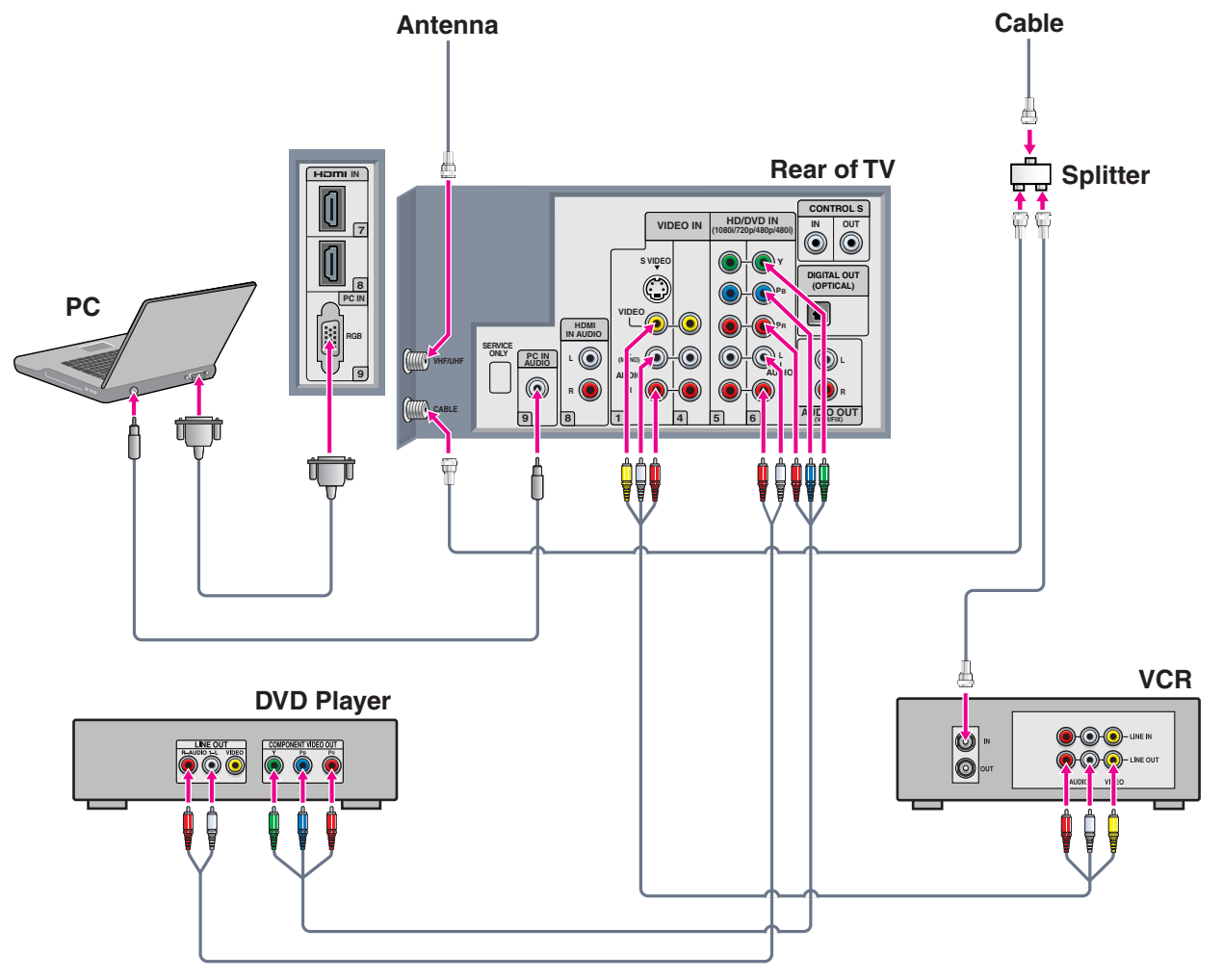
Use this diagram if you have;



Cables Required	
Splitter	1
Coaxial	4
Composite	1
Component	1
Audio	3
HD15-HD15	1

If you are connecting to the TV's VIDEO 1 input with equipment that has an S VIDEO output, use the S VIDEO connection instead of the video connection shown here.

If your DVD player has an HDMI output, use that instead of the video and audio connections shown here.



B

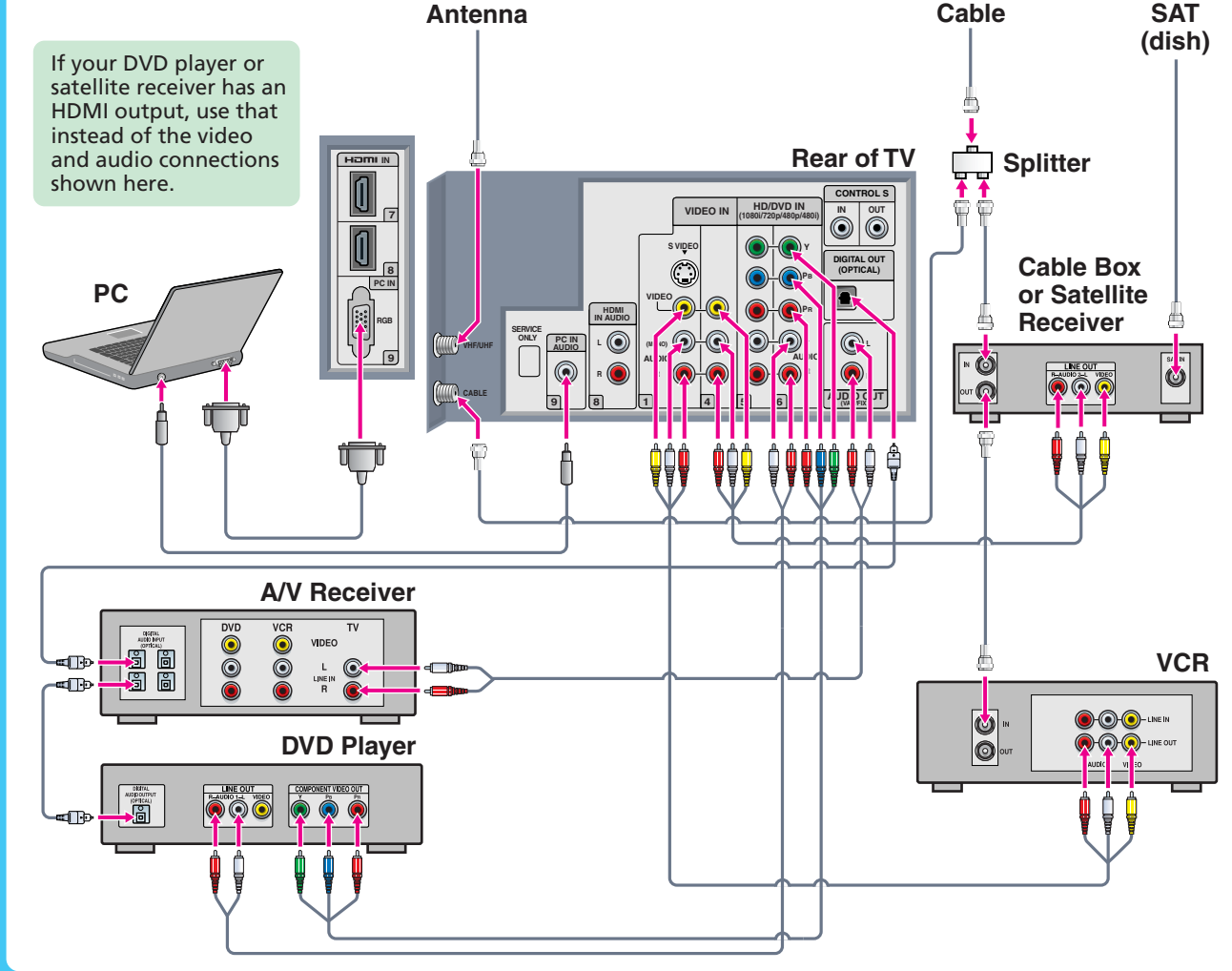
Use this diagram if you have;



Cables Required	
Splitter	1
Coaxial	6
Composite	2
Component	1
Audio	5
HD15-HD15	1
Digital Optical Audio	2

If you are connecting to the TV's VIDEO 1 input with equipment that has an S VIDEO output, use the S VIDEO connection instead of the video connection shown here.

If you are not using a cable box or satellite receiver, connect your cable to the VCR's RF IN jack.



C

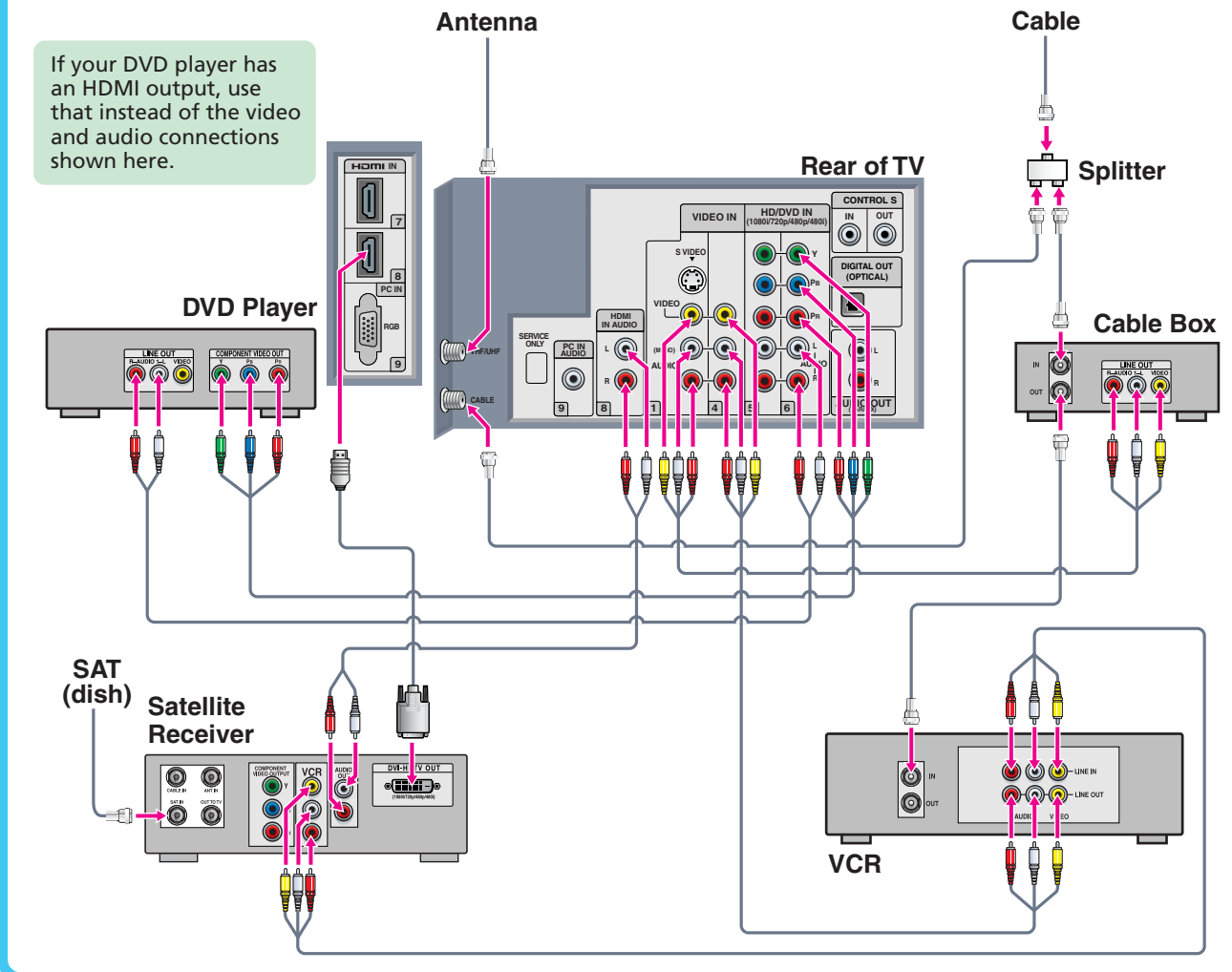
Use this diagram if you have;



Cables Required	
Splitter	1
Coaxial	6
Composite	3
Component	1
Audio	5
HDMI-to-DVI	1

If you are connecting to the TV's VIDEO 1 input with equipment that has an S VIDEO output, use the S VIDEO connection instead of the video connection shown here.

If you are not using a cable box, connect your cable to the VCR's RF IN jack.



D

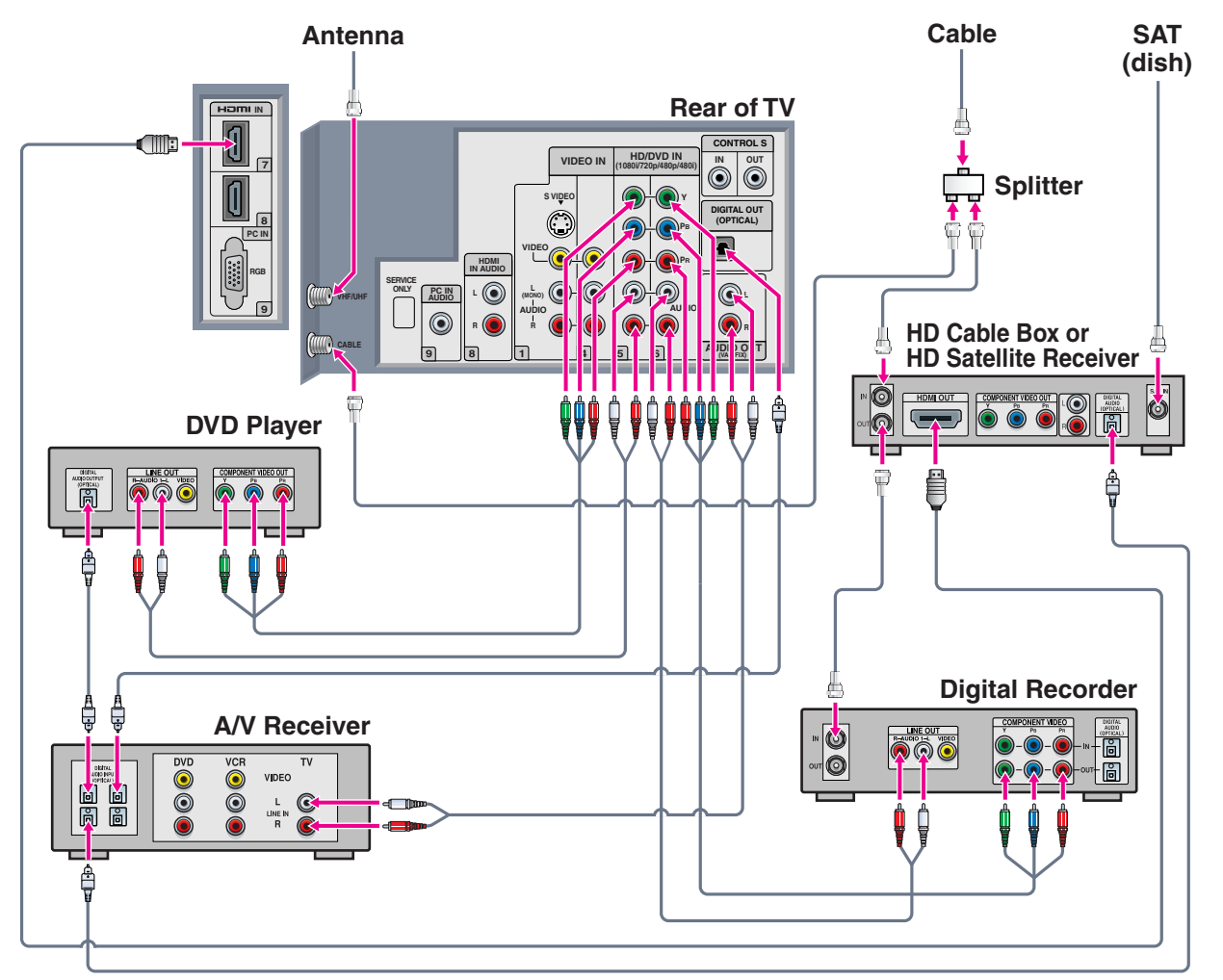
Use this diagram if you have;



Cables Required	
Splitter	1
Coaxial	6
Component	2
Audio	3
HDMI*	1
Digital Optical Audio	3

If your DVD player or digital recorder has an HDMI output, use that instead of the video and audio connections shown here.

* See the Operating Instructions for connection between HDMI to DVI.



E

For Best HD Picture Quality Use this diagram if you have;

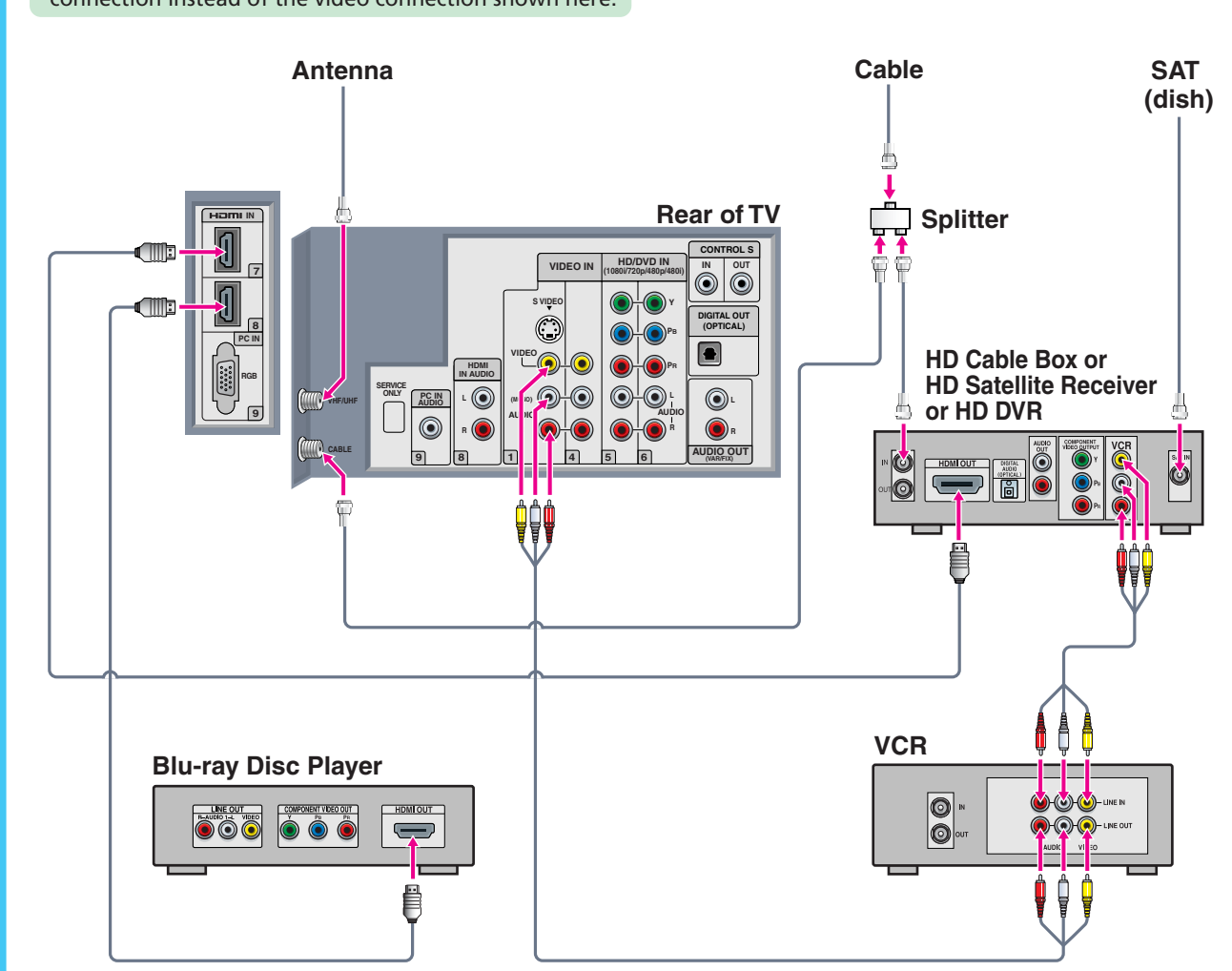


Cables Required	
Splitter	1
Coaxial	5
Composite	2
Audio	2
HDMI*	2

If you are connecting to the TV's VIDEO 1 input with equipment that has an S VIDEO output, use the S VIDEO connection instead of the video connection shown here.

For best results, check the cable box's manual for proper setup of the HD output.

* See the Operating Instructions for connection between HDMI to DVI.



F

Use this diagram if you have;



Cables Required	
Splitter	1
Coaxial	6
Composite	3
Component	1
Audio	2
Digital Optical Audio	1

If you are not using a cable box or satellite receiver, connect the cable to the VCR's RF IN jack.

