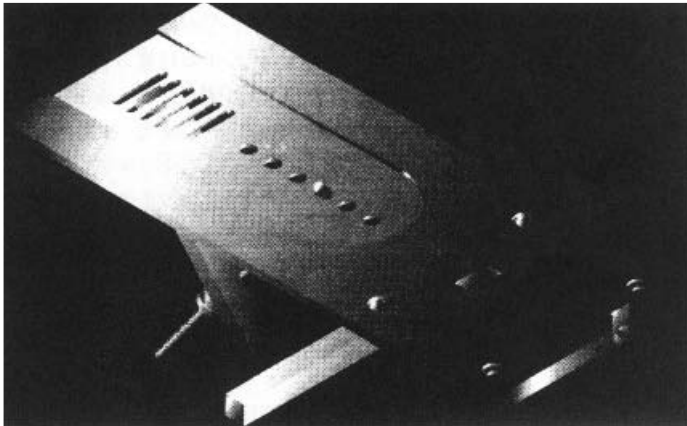


# Installation Instructions

## For Slider Casement Air Conditioners

**NOTE:** These instructions describe installation in a typical wood framed window with a wood SLIDE-BY sash, or installation in a metal CASEMENT window. Modification may be necessary when installing in windows made differently than those shown in these instructions.

A high window accessory kit is available for window heights up to 62" (1575mm). Part # EA103W.



### TABLE OF CONTENTS

SUBJECT	PAGE
Meeting Electrical Requirements	1
Electrical Connection	2
Preparing For Installation	2
Installing Unit in a Sliding Window	4
Alternate Window Jamb Applications	7
Installing Unit in a Casement Window	8

## Meeting Electrical Requirements

### **⚠ WARNING**

#### Electrical Shock and Personal Injury Hazard

- Electrical ground is required on this appliance.
- DO NOT ground to a gas line.
- If cold water pipe is interrupted by plastic, non-metallic gaskets, or other insulating materials, DO NOT use for grounding.
- Check with a qualified electrician if you are in doubt as to whether the appliance is properly grounded.
- DO NOT modify power supply cord plug. If it does not fit outlet, have a proper outlet installed by a qualified electrician.
- DO NOT have a fuse in the neutral or grounding circuit. A fuse in the neutral, or grounding circuit could result in an electrical shock.
- DO NOT use an extension cord with this appliance.

Failure to follow these instructions could result in electrical shock, serious injury, or death.

**OBSERVE ALL LOCAL GOVERNING CODES AND ORDINANCES.**

**DO NOT, UNDER ANY CIRCUMSTANCES, REMOVE THE POWER SUPPLY CORD GROUNDING PRONG.**

**NOTE:** If codes permit, and a separate grounding wire is used; it is recommended that a qualified electrician determine that the grounding path is adequate and not interrupted by plastic, non-metallic gaskets, or other insulating materials.

#### RECEPTACLE WIRING

Receptacle wiring should be a minimum of 14 gauge. Use copper wire only. It is your responsibility to provide proper and adequate receptacle wiring, installed by a qualified electrician.

#### ELECTRICAL REQUIREMENTS

A 115 volt (103.5 minimum, 126.5 maximum), 60 Hertz, AC only, 15 ampere fused electrical supply is required. A time delay fuse or time delay circuit breaker is also required. A separate circuit, serving only this appliance, MUST be provided.

## Electrical Connection

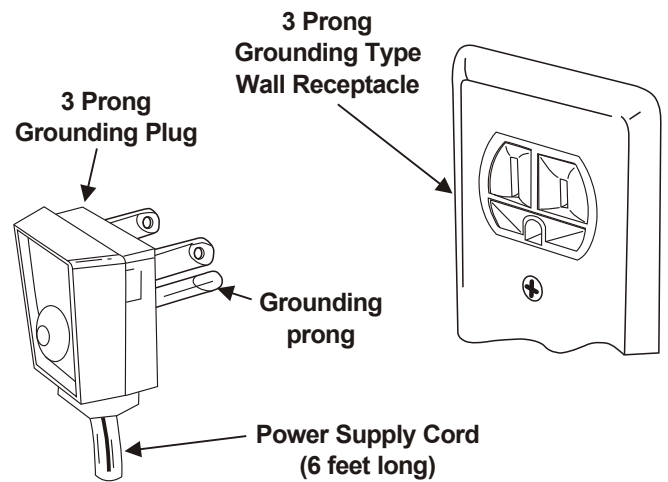
Electrical ground is required on this appliance.

### Recommended grounding method:

For your personal safety, this appliance must be grounded. This air conditioner includes a power supply cord with a 3-prong grounding plug. To minimize possible electrical shock hazard:

- cord must be plugged into a mating 3-prong grounding-type wall receptacle,
- must be grounded in accordance with National Electrical Code (ANSI/NFPA 70- latest version) **and**
- all local codes and ordinances.

If a mating 3-prong grounding-type wall receptacle is not available, it is the responsibility of the consumer to have a properly grounded 3-prong wall receptacle installed by a qualified electrician.



## Preparing for Installation

### Installation Tips

**For wood-frame casement windows:** It may be necessary to construct a frame, using at least 1-inch thick wood, with a 15-1/2-inch wide opening.

**For brick or cement building construction:** It may be necessary to put a wood stool strip under AC, for mounting purposes.

### Tools Required

- Flat-head screwdriver
- Phillips-head screwdriver
- Carpenter's level
- Tape measure
- Fine tooth saw
- Electric or hand drill
- Knife and scissors
- Pencil

### **⚠ WARNING**

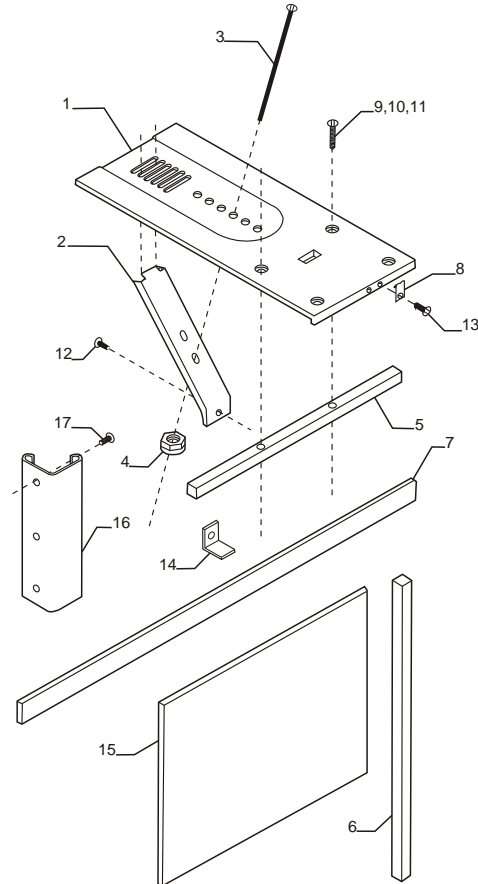
Failure to adhere to the following precautions could result in personal injury and product damage.

- Because this unit weighs about 88 to 105 pounds, it is recommended that you have someone help you when install your new unit, and that you both use proper lifting techniques. Inspect the condition of the window where unit will be installed. Be sure it will support the weight of the unit.
- This appliance must be installed according to all applicable codes and ordinances.
- Handle AC with care. AVOID sharp metal fins on front and rear coils.
- Make sure your AC does not fall during installation.
- Do not use water collected in the unit for drinking purposes. It is not sanitary.

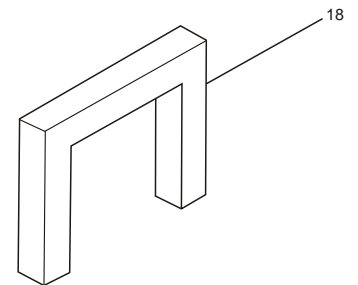
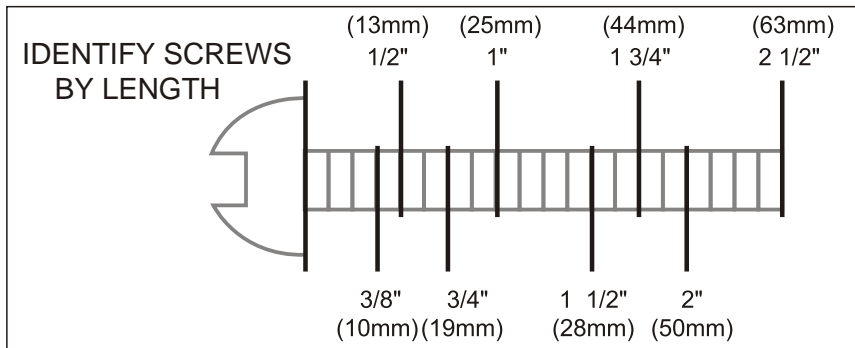
**1.** Make sure you have all the necessary parts.

**Installation kit contents:**

1. Platform (1)
2. Support brace (1)
3. Adjustment bolt (1)
4. Hex flange nut - 1/4" (1)
5. Track seal (1)
6. Side channel seal (1)
7. Foam seal strip/Sash seal
8. Safety bracket (1)
- 9-11. Screw - #10x2-1/2" flat-head (2), OR  
Screw - #10x1-3/4" pan-head (2), OR  
Screw - #10x1" pan-head (2)
12. Screw - #8x3/4" pan head (6)
13. Screw - #8-32x3/4" self-threading (7)
14. Window locking bracket (1)
15. Plastic window panel (1)
16. Side channel (2)
17. Screw - #8x3/8 truss head (6)
18. Panel frame/seal assembly (1)



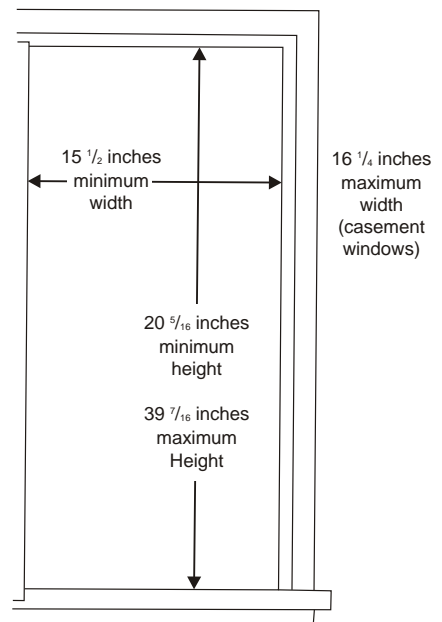
**NOTE:** Use scale below to measure length of your screws. The scale will come in handy when separating screws for installation.



**2.** Choose a proper sized window, as shown right.

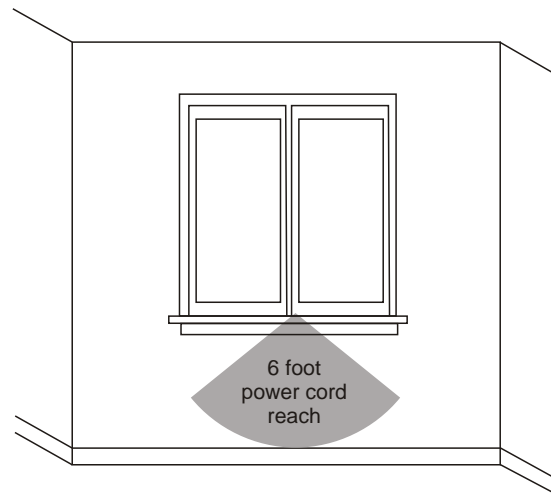
- 15-1/2 inches minimum width
- 16-1/4 inches maximum width (for casement windows)
- 21-1/4 inches minimum height (with window panel retainer)
- 20-5/16 inches minimum height (window panel retainer removed)
- 39-7/16 inches maximum height

**NOTE:** Height measurement must be of a clear opening above mounting platform. In some cases, due to a variety of stop and track arrangements, the above dimensions may vary slightly. If necessary, installation can be made by alternating window jambs. (See Alternate Window Jamb Applications.) (continued)



### 3. Choose the proper window location.

Choose a window that allows the cooled air to flow freely and directly into room(s) you wish to cool. Remember, it is difficult to move air around corners. Also, choose a window that is within 6 feet of an electrical outlet. (See Meeting Electrical Requirements/Receptacle wiring needs.) **Do not use an extension cord.**



## Installing Unit in a Sliding Window

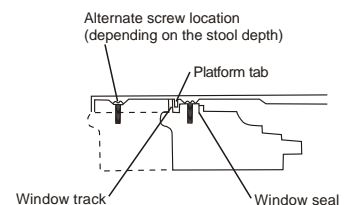
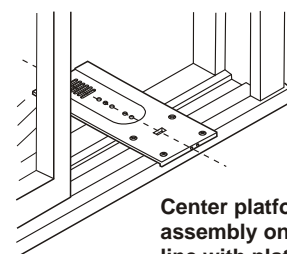
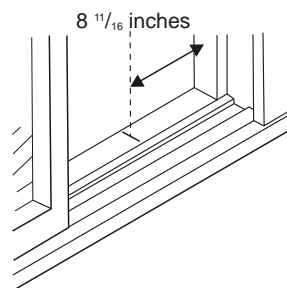
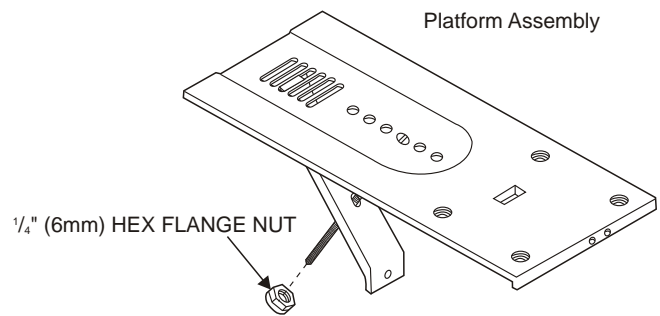
**1. Attach support brace to platform as shown.** Use adjustment bolt and hex flange nut to complete assembly. Choose slot and adjustment bolt hole locations that will create a 45 degree angle between platform and support brace. Try assembly in the window to determine if platform will rest properly, and allow proper slope (3/16-inch lower on outside).

**NOTE:** If you are planning to use a siding-protection board (see Step 5) on the outside of your house, hold board in place when testing assembly in window.

**2. Measure, and lightly mark a line 8-11/16 inches from window jamb.**

**NOTE:** If any sash stop protrudes more than 1 inch from the side window jambs, the 8-11/16-inch measurement must be increased accordingly. Screen and storm window frames may also require adjustments to the measurement.

**3. Center platform assembly** on the line with inside platform tab pressed against inside edge of window track. Using the holes in the platform as a guide, mark and drill two 9/64-inch diameter holes. Drill holes in either track or stool.



**Center platform assembly on the line with platform tab pressed against window track**

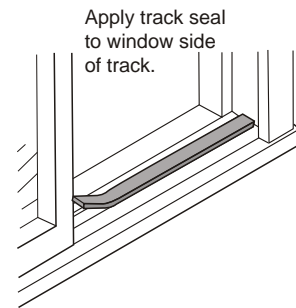
### CAUTION

**Property Damage Hazard-Failure to adhere to the following precaution could result in damage to window or air conditioner.**

Be sure wood stool or window track is securely attached to the building construction. Use longer screws in sub-framing if necessary.

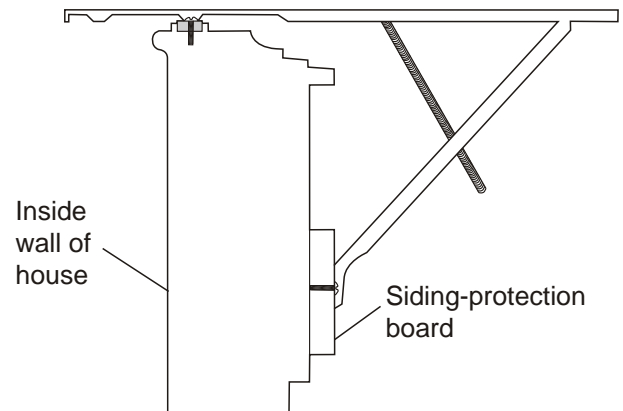
(continued)

**4. Peel off protective backing** from track seal. Apply seal to room side of window track. Center of seal strip should coincide with the line marked in Step 2. The two screw holes drilled in Step 3 should be directly above seal strip in the inner track.



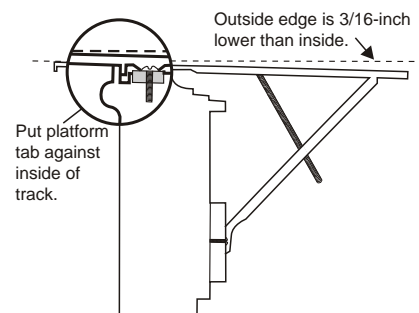
**5. Securely attach a siding-protection board** to side of house.

**NOTE:** Siding-protection board should be long enough to span 2 wall studs.



**6. Place platform assembly**, with platform tab against inside of window track, and attach it to window jamb. Use appropriate length screws (Items 9-11 in Preparing For Installation).

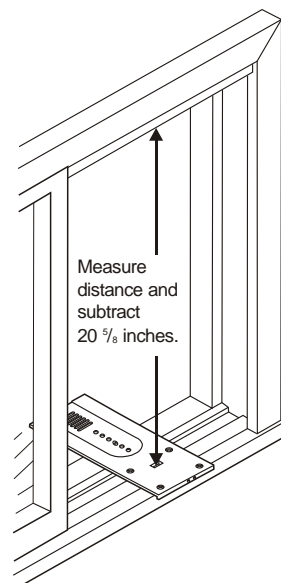
**7. Adjust platform assembly** so that outside edge is 3/16-inch lower than inside edge, as shown right. This ensures proper water drainage from the air conditioner.



**8. Level platform assembly from side-to-side.**

Also, make sure window track is level. Use leveling shims as necessary to ensure unit is level from side-to-side.

**9. Measure height of window opening** from top of platform assembly as shown right. Subtract 20-5/8 inches. Mark this measurement on plastic window panel, along the longer side. (continued)



**10. Clamp plastic window panel** between a board and a work table, and cut along cutting line with a fine tooth saw. Remove any burrs with a file.

**11. Fasten side channels** to the sides of the AC using 3 screws (Item 17) per channel. Start with first screw at top of channel. Make sure hook ends of channels face toward back of unit.

**12. Slide plastic window panel into panel frame**, with the smooth side to the room. Slide panel frame assembly into side channels of the AC cabinet. Make sure plastic window panel is firmly enclosed on all sides by the retainer grooves.

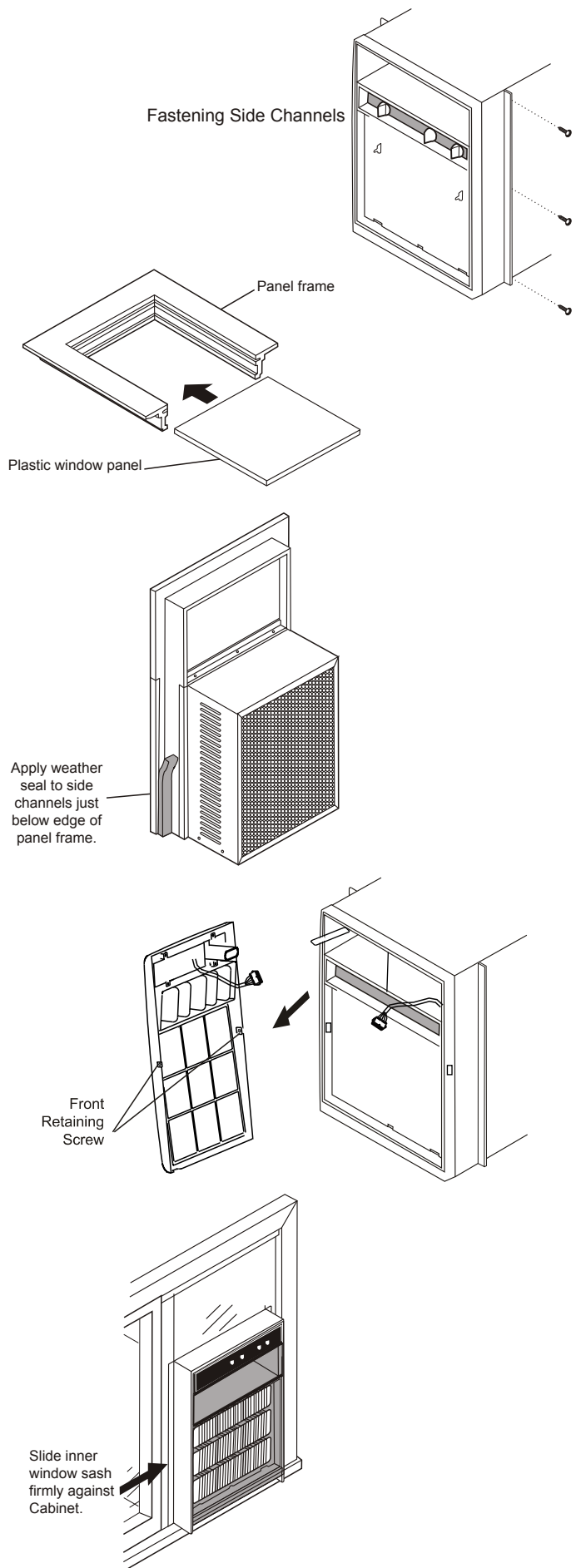
**13. Cut side channel seal** into 2 equal lengths. Remove protective backing and apply it to the rear side of cabinet side channels, starting just below panel frame assembly. Pinch off excess length so seal is even with the bottom of the cabinet side channel.

**14. To remove front**

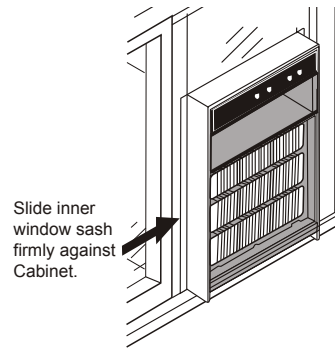
1. Remove the two front retaining screws from the front frame.
2. Press firmly on each side of the metal case close to the front, approximately 2/3 of the way down.
3. While pressing on the sides of the metal case, gently pull the front out and lift up to release it from the case.
4. Then release the electrical coupler plug.

**NOTE:** DO NOT push or pull air direction louvers.

**15. Place AC in window opening.** As shown right, it should sit on platform assembly so that window panel frame, and cabinet side channels are against top and side window jambs. (continued)



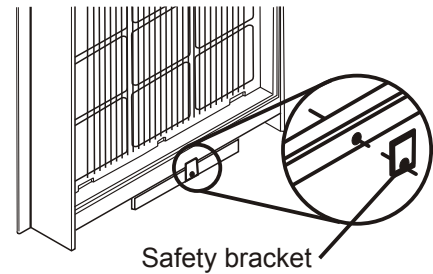
**16. Slide inner window sash firmly** against side of the cabinet. Make sure not to peel the seal strips from the window track and cabinet side channels. If the panel frame does not fit snugly to the inner window sash, secure the panel frame to the sash with #8x3/4-inch screws, or #8-32x3/4-inch self-threading screws. Use the partially plugged holes in the panel frame. Drill 1/8-inch pilot holes for the screws.



**17. Hook the safety bracket over** the base of the unit and fasten it to the front of the platform assembly. Use a #8-32x3/4-inch self-threading screw.

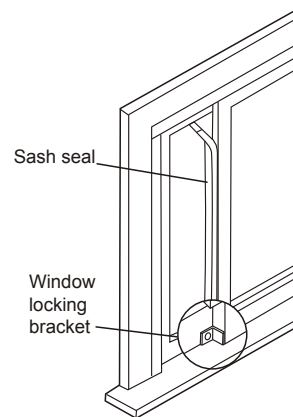
**NOTE:** The bracket prevents movement of the air conditioner (either in or out) after completing the installation.

Install safety bracket



**18. Stuff the foam seal strip/sash seal** between the vertical sash and the window glass, as shown right.

**19. Use the window locking bracket** to lock the inner window sash to the base of the outer window sash. Use one #8x3/4-inch screw, or #8-32x3/4-inch self-threading screw. (Drill 1/8-inch pilot hole).



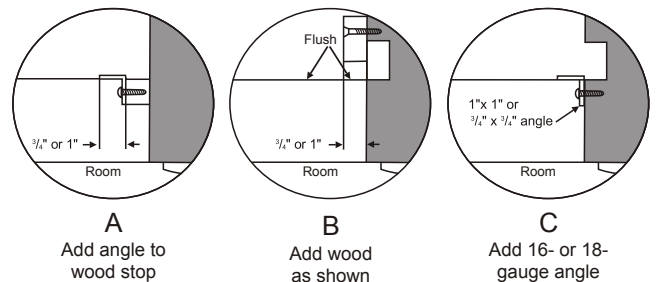
**20. To replace the front**

First reconnect the coupler plugs, make the exhaust control positioned through the front in the proper location. Gently push the front into position on the cabinet. It should click into place. Then replace the retaining screws that holds the panel in place.

**Do not** push or pull the front panel louvers.

**Alternate Window Jamb Applications**

To install in windows having no flanges or wood stops on the top and side jambs, the channels and panel frame must fit against a mating flange (or 1/16-inch max. thick angle) attached to the window jambs. Figure A shows this angle installed. Figures B & C show alternate treatments. On the sash side of the opening, the leading corner of the inner sash becomes the flange. You can purchase the angle strip locally.



## Installing the Unit in a Casement Window

**NOTE:** Open the window the maximum amount to allow for clearance of the cabinet. The crank handle should be removed to allow the platform to be fastened to the jamb. If the window cannot open far enough (more than 15-1/2 inches) for the cabinet to clear the window, remove the window entirely by drilling out the rivets. Bolts can serve as the pivots in the future.

To avoid crank handle and window clearance problems, the unit can be installed in a stationary sash section. However, the horizontal mullion and the 2 glass panels must be removed before installation.

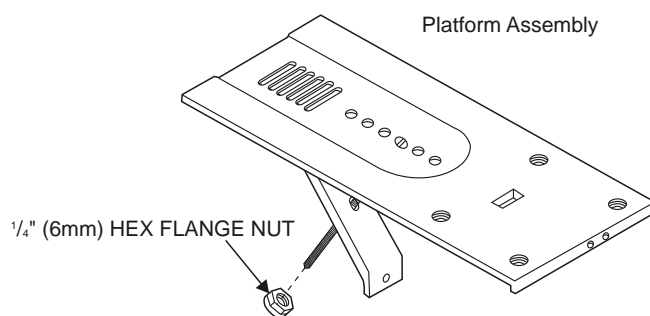
**1. Attach support brace to platform** as shown. Use the adjustment bolt and hex flange nut to complete the assembly. Choose the slot and adjustment bolt hole locations that will create a 45 degree angle between the platform and the support brace. Try the assembly in the window to determine if the platform will rest properly, and allow the proper slope (3/16-inch lower on outside).

**NOTE:** If you are planning to use a siding-protection board (see Step 6) on the outside of your house, hold the board in place when testing the assembly in the window.

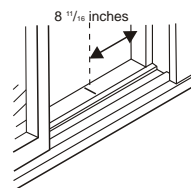
**2. Drill a 9/64-inch diameter pilot hole** in the window jamb an equal distance from each side of the jamb, and 3/16-inch up from the window sill. If the hole coincides with the window lever slot in the jamb bottom, an additional hole will have to be drilled through the platform edge and the window jamb to miss this slot.

**3. Peel off the protective backing** from the track seal, and stick the seal to the window sill on the outside of the bottom jamb.

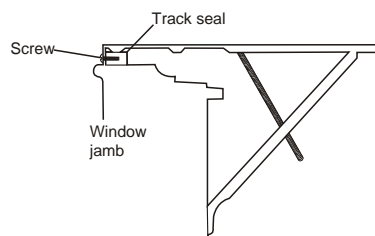
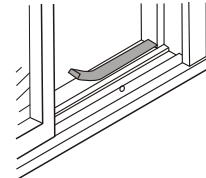
**4. Screw the platform assembly to the window jamb** through the pilot hole you drilled in Step 2. Use a #8x3/4-inch self-threading screw. (continued)



Equal distance from both sides



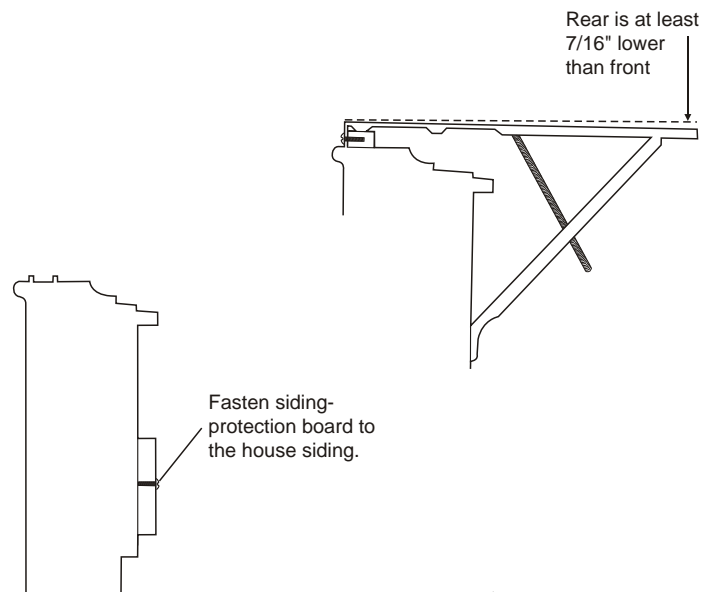
Apply track seal to the outside edge of the bottom window jamb.



**5. Adjust the platform assembly** so that the rear of the air conditioner will be  $\frac{3}{16}$ -inch lower than the front. This ensures proper water drainage from the air conditioner.

**NOTE:** A projection below the base of the air conditioner will require the rear of the platform to be  $\frac{7}{16}$ -inch lower than the front to create the  $\frac{3}{16}$ -inch slant from front to rear.

**6. Securely attach a siding-protection board** to the side of the house where the platform assembly hit the house. The siding-protection board should be long enough to span 2 wall studs.

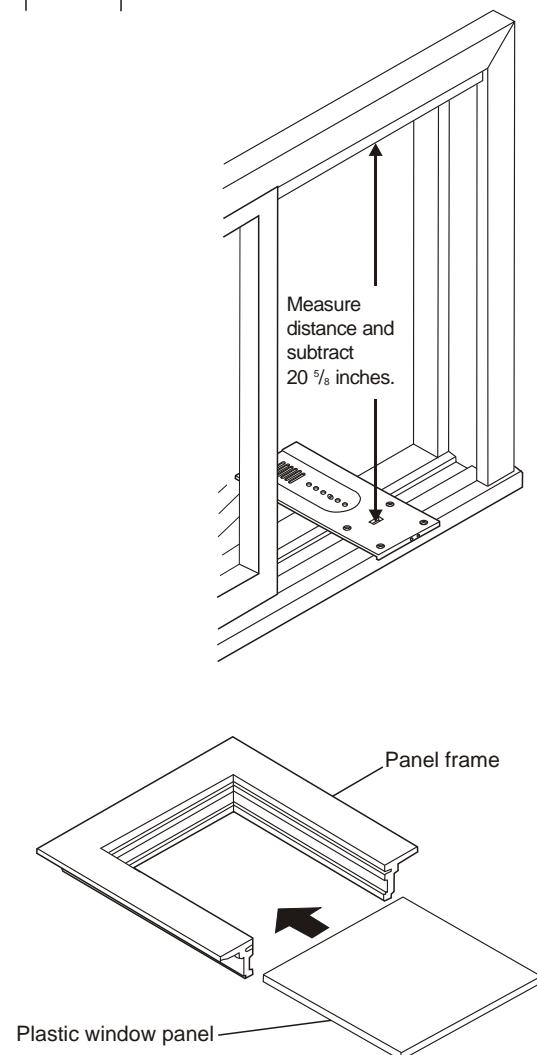


**7. Measure the height of the window opening** from the top of the platform assembly. Subtract  $20\frac{5}{8}$  inches. Mark this measurement on the plastic window panel, along the longer side.

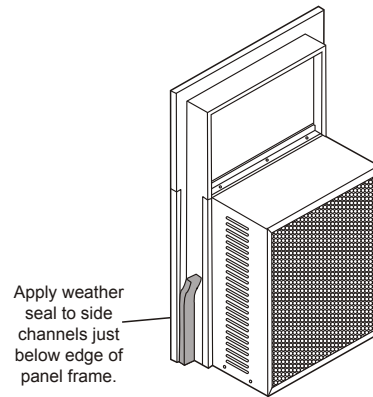
**8. Clamp the plastic window panel** between a board and a work table, and cut along the cutting line with a fine tooth saw. Remove any burrs with a file.

**9. Fasten the side channels to the sides of the unit** using three screws (Item 17) per channel. Make sure hook ends of channels face toward the back of unit.

**10. Slide the plastic window panel into the panel frame** with the smooth side to the outside. Slide the panel frame assembly into the side channels of the air conditioner cabinet. Make sure the plastic window panel is firmly enclosed on all sides by the retainer grooves. (continued)

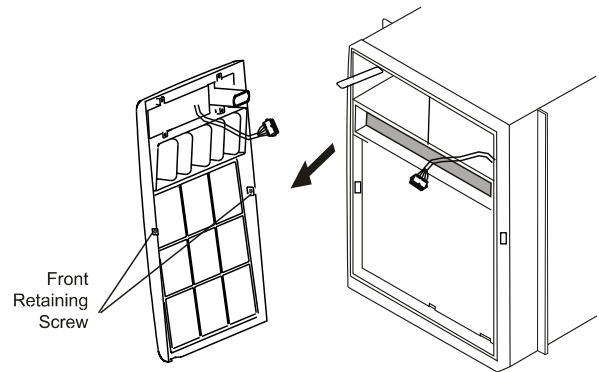


**11. Cut side channel seal** into 2 equal lengths. Remove the protective backing and apply it to the rear side of the cabinet side channels, starting just below the panel frame assembly. Pinch off excess length so the seal is even with the bottom of the cabinet side channel.



**12. To remove front**

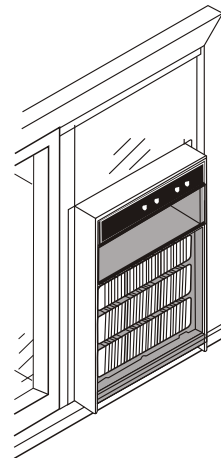
1. Remove the two front retaining screws from the front frame.
2. Press firmly on each side of the metal case close to the front, approximately 2/3 of the way down.
3. While pressing on the sides of the metal case, gently pull the front out and lift up to release it from the case.
4. Then release the electrical coupler plug.



**NOTE:** DO NOT push or pull air direction louvers.

**13. Place the air conditioner in the window opening as shown to the right.** It should sit on the platform assembly so that the window panel frame, and the cabinet side channels are against the top and side window jambs. Side channels should overlap side window jambs equally.

**14. Drill two 9/64-inch diameter pilot holes** in the top window jamb in line with the partially plugged holes in the panel frame. Secure the panel frame to the window jamb with two #8-32x3/4-inch self-threading screws. If additional holding is necessary, two screws may be used on the sides of the panel frame as well.



**15. Drill two screw-clearance holes** in the cabinet side channels (near bottom) and two 9/64-inch diameter pilot holes in the side window jambs. Secure the cabinet side channels to the window jambs with two #8-32x3/4-inch self-threading screws. When doing this, be careful not to twist the side channel seals with the screws.

**NOTE:** Inserting screws will prevent the air conditioner from being pushed into the room.

**16. To replace the front**

First reconnect the coupler plugs, make the exhaust control positioned through the front in the proper location. Gently push the front into position on the cabinet. It should click into place. Then replace the retaining screws that holds the panel in place.

**Do not** push or pull the front panel louvers.