

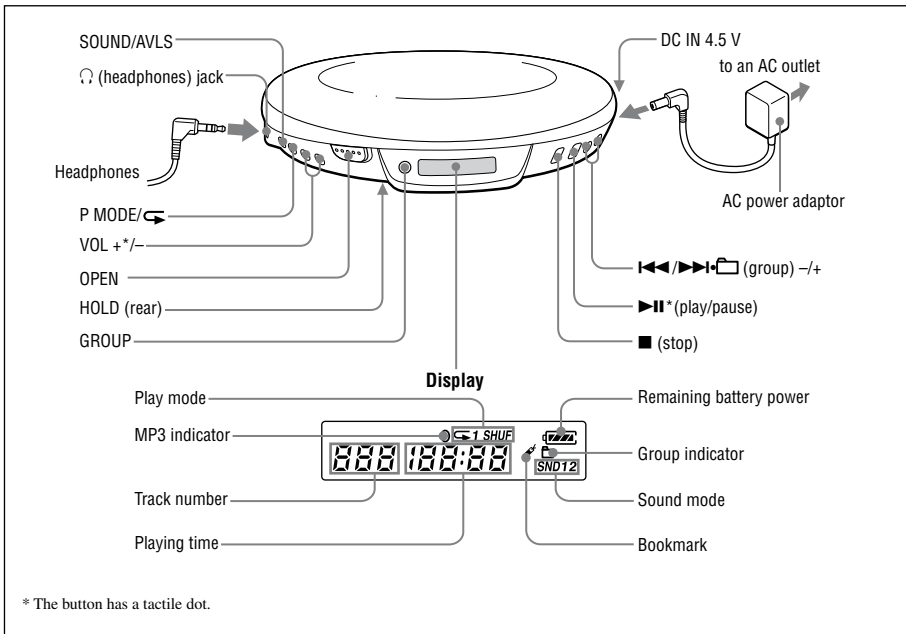
Portable CD Player

Operating Instructions

“WALKMAN”, , and are registered trademarks of Sony Corporation.

D-NE050 Printed on 100 % recycled paper using VOC (Volatile Organic Compound)-free vegetable oil based ink.

©2006 Sony Corporation Printed in China <http://www.sony.net/>



* The button has a tactile dot.

WARNING

To reduce the risk of fire or electric shock, do not expose this apparatus to rain or moisture.

Do not install the appliance in a confined space, such as a bookcase or built-in cabinet.

To reduce the risk of fire, do not cover the ventilation of the apparatus with newspapers, tablecloths, curtains, etc. And do not place lighted candles on the apparatus.

To reduce the risk of fire or electric shock, do not place objects filled with liquids, such as vases, on the apparatus.

CAUTION

The use of optical instruments with this product will increase eye hazard.

Certain countries may regulate disposal of the battery used to power this product. Please consult with your local authority.

The validity of the CE marking is restricted to only those countries where it is legally enforced, mainly in the countries EEA (European Economic Area).

For customers who purchased this product in the USA

Note: This equipment has been tested and found to comply with the limits for a Class B digital device, pursuant to Part 15 of the FCC Rules. These limits are designed to provide reasonable protection against harmful interference in a residential installation. This equipment generates, uses, and can radiate radio frequency energy and, if not installed and used in accordance with the instructions, may cause harmful interference to radio communications. However, there is no guarantee that interference will not occur in a particular installation. If this equipment does cause harmful interference to radio or television reception, which can be determined by turning the equipment off and on, the user is encouraged to try to correct the interference by one or more of the following measures:

- Reorient or relocate the receiving antenna.
- Increase the separation between the equipment and receiver.
- Connect the equipment into an outlet on a circuit different from that to which the receiver is connected.
- Consult the dealer or an experienced radio/TV technician for help.

You are cautioned that any changes or modifications not expressly approved in this manual could void your authority to operate this equipment.

Discs Playable on this CD Player

- Audio CDs (CD-DA format CDs)
- MP3 CDs (CD-R/CD-RW on which audio data compressed in the MP3 format has been recorded)*
- * Only ISO 9660 Level 1/2 and Joliet extension format discs can be played.

Bit rates and sampling frequencies this CD player can play are as follows. Variable Bit Rate (VBR) files can also be played.

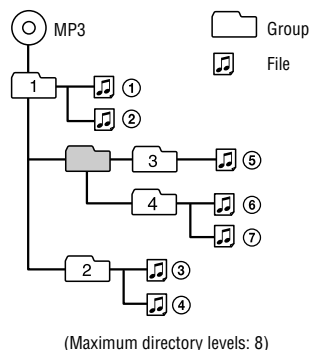
	Bit rates	Sampling frequencies
MPEG-1 Layer3	32 – 320 kbps	32/44.1/48 kHz
MPEG-2 Layer3	8 – 160 kbps	16/22.05/24 kHz
MPEG-2.5 Layer3	8 – 160 kbps	8/11.025/12 kHz

MP3 CDs

- The usable number of groups and files
- Maximum number of groups: 256
- Maximum number of files: 512

Playing order

The playing order may differ depending on the method used to record MP3 files on the disc. In the following example, files are played in order of ① to ⑦.



Notes

- Depending on the quality of the disc and/or the condition of the recording device, it may take a while for playback to start. It is also possible playback may not start at all.
- On a disc that has MP3 files, do not save files in other formats and do not make unnecessary folders.
- Be sure to add the file extension “mp3” to the file name. However, if you add the extension “mp3” to a file other than an MP3 file, the player will not be able to recognize the file properly.
- To compress a source in an MP3 file, we recommend setting the compression parameters to “44.1 kHz,” “128 kbps,” and “Constant Bit Rate.”
- To record up to the maximum capacity, set the writing software to “halting of writing.”

Power Sources

To use the batteries (not supplied)

- Slide OPEN to open the player lid and open the battery compartment lid inside the CD player.
- Insert two LR6 (size AA) alkaline batteries by matching the ⊕ to the diagram inside the CD player and close the lid until it clicks into place. Insert the ⊖ end first (for both batteries).

Battery life* (approx. hours)

(When the CD player is used on a flat and stable place.)
Playing time varies depending on how the CD player is used.

When using two Sony alkaline batteries LR6 (SG) (produced in Japan)

G-PROTECTION	G-on	G-off
Audio CD	16	11
MP3 CD (Recorded at 128 kbps)	23	23

* Measured value by the standard of JEITA (Japan Electronics and Information Technology Industries Association).

- The indicator sections of roughly show the remaining battery power. One section does not always indicate one-fourth of the battery power.

To use the AC power adaptor (not supplied)

Connect the AC power adaptor as illustrated.

Playing a CD

- Slide OPEN to open the lid and fit the CD to the pivot, then close the lid.
 - Press . To play from the first track, press and hold until playback starts while the CD player is stopped. To jump to the succeeding/previous groups*, press GROUP first, then press or . *MP3 CD only
- This CD player can play CD-Rs/CD-RWs recorded in the Compact Disc Digital Audio (Audio CD) format, but playback capability may vary depending on the quality of the disc and the condition of the recording device.
 - This product is designed to play back discs that conform to the Compact Disc (CD) standard. Recently, various music discs encoded with copyright protection technologies are marketed by some record companies. Please be aware that among those discs, there are some that do not conform to the CD standard and may not be playable by this product.
 - Depending on the CD, this player may display a total number of files that includes both playable and unplayable files. However, because the player skips unplayable files automatically, only the playable ones will be played.

Note on DualDiscs

A DualDisc is a two sided disc product which mates DVD recorded material on one side with digital audio material on the other side. However, since the audio material side does not conform to the Compact Disc (CD) standard, playback on this product is not guaranteed.

Digital MEGA BASS function

During play, press SOUND/AVLS repeatedly to select “SND 1” or “SND 2.”

If the sound is distorted, turn down the volume.

AVLS* function

*Automatic Volume Limiter System

Press and hold SOUND/AVLS. If “AVLS” flashes three times, the function is enabled. If “AVLS” flashes once, the function is disabled.

AMS* / search function

*Automatic Music Sensor

To find the beginning of the previous/current/next/succeeding track(s): Press repeatedly. To go backward/forward quickly: Press and hold .

Play mode function

During play, press P MODE/ repeatedly: No indication (normal play) → (group play)¹⁾ → “1” (single track play) → (shuffle play) → (group shuffle play)²⁾ → (Bookmark play)

- To repeat the play mode you selected, press and hold P MODE/ until “” appears.
- ¹⁾ All files in the selected group are played once. MP3 CD only.
- ²⁾ All files in the selected group are played once in random order. MP3 CD only.

G-PROTECTION function

The function provides protection against sound skipping during many active uses.*

The default setting is “G-on.” To select “G-off,” press while you keep pressing during stop. To enjoy high quality CD sound, select “G-off.”

- * Sound may skip: if the CD player receives stronger continuous shock than expected / if a dirty or scratched CD is played / when using poor-quality CD-Rs/CD-RWs or if there is a problem with the recording device or application software.

Bookmark play

If you add Bookmarks to your favorite tracks, you can listen to these tracks only from the track with the lowest number.

- During playback of the track where you want to add a Bookmark, press and hold until “ (Bookmark)” flashes on the display.
- Repeat step 1 to add Bookmarks to the tracks you want.
- Press P MODE/ repeatedly until “” flashes.
- Press .

To remove the Bookmarks

During playback of the track with a Bookmark, press and hold until “” disappears from the display.

If you change CDs and start playing, all the bookmarks added for the previous CD will be erased.

Precautions

On safety

- Should any solid objects or liquid fall into the CD player, unplug it and have it checked by qualified personnel before operating it any further.
- Do not put any foreign objects in the DC IN 4.5 V (external power input) jack.

On power sources

- When you are not using the CD player for a long time, disconnect all power sources from the CD player.

On the AC power adaptor

- Use only the AC power adaptor supplied. If your player is not supplied with an AC power adaptor, use an AC-E45HG AC power adaptor*. Do not use any other AC power adaptor. It may cause a malfunction.

Polarity of the plug



* Not available in Australia and some other regions. Ask your dealer for detailed information.

- Do not touch the AC power adaptor with wet hands.
- Connect the AC power adaptor to an easily accessible AC outlet. Should you notice an abnormality in the AC power adaptor, disconnect it from the AC outlet immediately.

On dry batteries

- Do not throw the batteries into fire.
- Do not carry the batteries with coins or other metallic objects. It can generate heat if the positive and negative terminals of the battery are accidentally contacted by a metallic object.
- Do not mix new batteries with old ones.
- Do not use different types of batteries together.
- When the batteries are not to be used for a long time, remove them.
- If battery leakage occurs, wipe off any deposit in the battery compartment, and install new batteries. In case the deposit adheres to you, wash it off thoroughly.

On the CD player

- Keep the lens on the CD player clean and do not touch it. If you do so, the lens may be damaged and the CD player will not operate properly.
- Do not put any heavy object on top of the CD player. The CD player and the CD may be damaged.
- Do not leave the CD player in a location near heat sources, or in a place subject to direct sunlight, excessive dust or sand, moisture, rain, mechanical shock, unlevelled surface, or in a car with its windows closed.
- If the CD player causes interference to the radio or television reception, turn off the CD player or move it away from the radio or television.
- Discs with non-standard shapes (e.g., heart, square, star) cannot be played on this CD player. Attempting to do so may damage the CD player. Do not use such discs.

On headphones

Road safety

Do not use headphones while driving, cycling, or operating any motorized vehicle. It may create a traffic hazard and is illegal in some areas. It can also be potentially dangerous to play your headsets at high volume while walking, especially at pedestrian crossings. You should exercise extreme caution or discontinue use in potentially hazardous situations.

Preventing hearing damage

Avoid using headphones at high volume. Hearing experts advise against continuous, loud and extended play. If you experience a ringing in your ears, reduce volume or discontinue use.

Consideration for others

Keep the volume at a moderate level. This will allow you to hear outside sounds and to be considerate to the people around you.

To clean the plugs

If the plugs become dirty, there is no audio or noise is heard. Clean them with a dry soft cloth periodically.

Troubleshooting

Should any problem persist after you have made these checks, consult your nearest Sony dealer.

“Hold” appears in the display when you press a button, and the CD does not play.

→ The buttons are locked. Slide HOLD back.

The volume does not increase even if you press VOL + repeatedly.

→ Press and hold SOUND/AVLS until “AVLS” flashes once so that you can cancel the AVLS function.

The CD player does not operate properly.

→ Moisture condensation has occurred. Leave the player aside for several hours until the moisture evaporates.

Even though the file number is displayed, the player skips the file and does not play it.

→ A file with a format that is unplayable on this player is recorded on the CD.

Specifications

System

Compact disc digital audio system

Laser diode properties

Emission duration: Continuous
Laser output: Less than 44.6 μW (This output is the value measured at a distance of 200 mm from the objective lens surface on the optical pick-up block with 7 mm aperture.)

Power requirements

- Two LR6 (size AA) batteries: 1.5 V DC × 2
- AC power adaptor (DC IN 4.5 V jack): 220 V, 50 Hz (Model for China)
- 120 V, 60 Hz (Model for Mexico)

Dimensions (w/h/d) (without projecting parts and controls)
Approx. 139.8 × 29.0 × 139.8 mm (5 5/8 × 1 3/16 × 5 5/8 in.)

Mass (excluding accessories)

Approx. 203 g (7.2 oz.)

Operating temperature

5°C - 35°C (41°F - 95°F)

MPEG Layer-3 audio coding technology and patents licensed from Fraunhofer IIS and Thomson.

Design and specifications are subject to change without notice.

Supplied accessories

Headphones (1)