

This Data Sheet Includes Information On

**Ariston**

• Product Model Number (s): •

Dishwasher(s):  
L63BNA, L63SNA and L63WNA

• Dimensions (Actual Size) •

- Width: 23 1/2"
- Minimum opening width: 24"
- Height, 0" leg adjustment: 32 1/4"
- Minimum opening height: 32 1/2"
- Maximum opening height: 34 1/2"
- Overall depth: 23"
- Minimum cabinet depth: 24"
- Depth from unit face to edge of open door: 25 13/16"

• Additional Information •

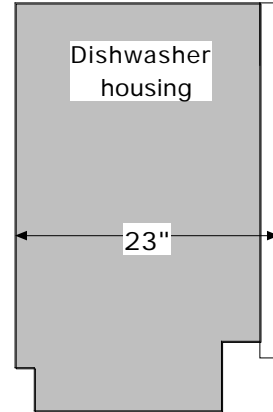
- The unit must be enclosed on the top, back and both sides.
- Power supply: 120 volts, 60Hz, 12amps, 1,400 watts, should be connected to a separate 15 ampere circuit breaker. Electrical should enter through the left side of opening.
- Access holes in the cabinets or rear wall for the hot water supply line, electrical supply and drain line must be located within the shaded area.
- CORNER INSTALLATION: If the dishwasher is installed in a corner, there must be a minimum clearance of 2" from side wall, so that the door can be opened.
- The supply line to the dishwasher should be 1/2" O.D. Install a shut-off valve in an accessible location. Water pressure should be 3-145PSI. 120° hot water recommended. Water line should enter through the right side of opening.
- The drain line should be 9/16" I.D. flexible hose or 3/8" O.D. copper tubing. Add 32" loop for drain hose.
- Does NOT accept custom panels.

Subject to change without notice. This system is designed to be updated daily if necessary. Dimension Express is not responsible for use of superseded, voided, or outdated data sheets. Because of the difficulty or impracticability of determining actual damages, liability of Dimension Express shall not exceed \$50.00.

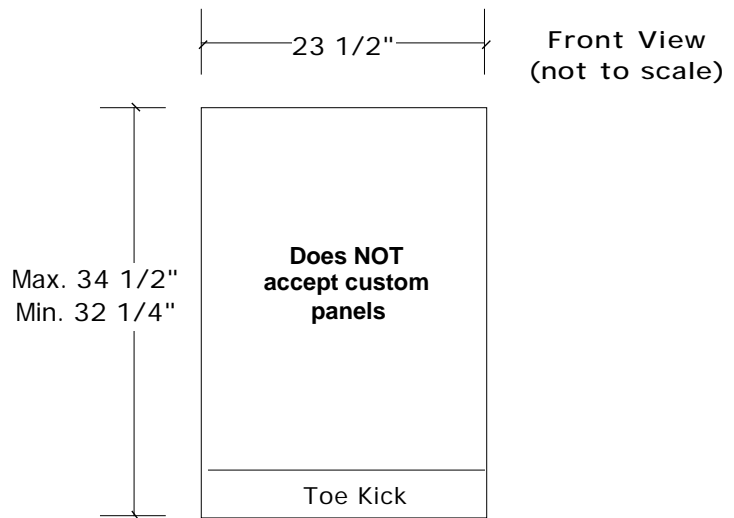
Copyright © Dimension Express, 2005.

275

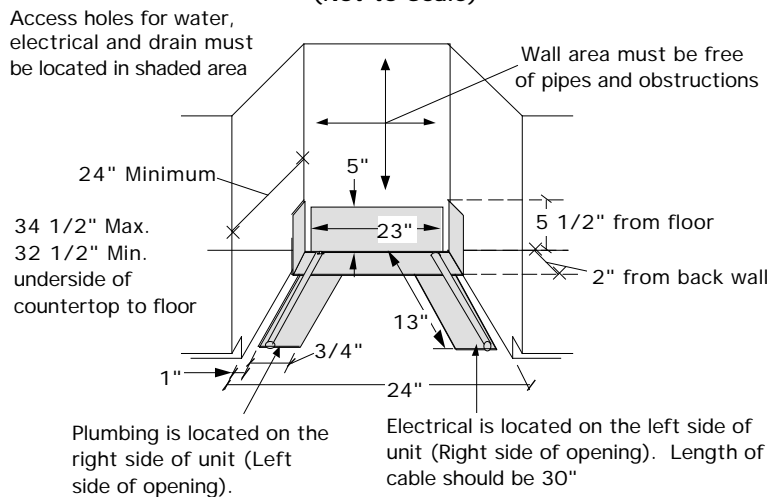
Side View  
(not to scale)



Front View  
(not to scale)



Rough-in Information  
(Not to Scale)



• NEVER reuse Data Sheets. Data Sheets are subject to change without notice. Dimension Express is a FREE service bureau and is updated daily, it makes far more sense to spend the time necessary to request new Data Sheets for each project, as opposed to the problems, time, costs, and risks associated with reusing old Data Sheets.

- Call Dimension Express if you have any questions at (775) 833-3633 •
- Always refer to a current Code at a Glance or manufacturer directory •
- Data Sheet codes change on the first of each quarter at 12:01am •

BN • A275 • • 051111 • 797 • 72351