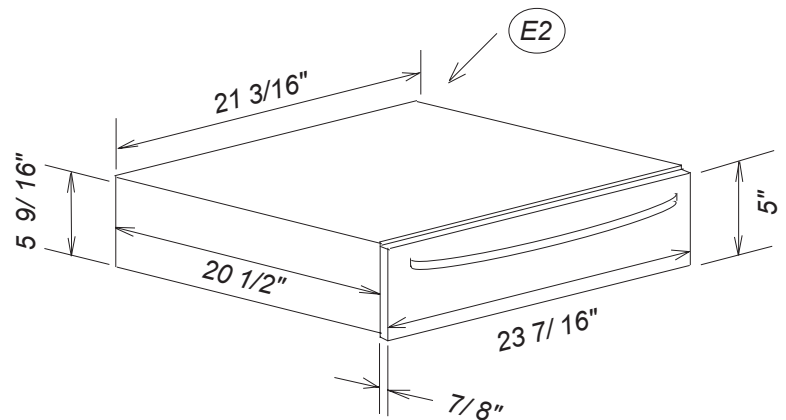
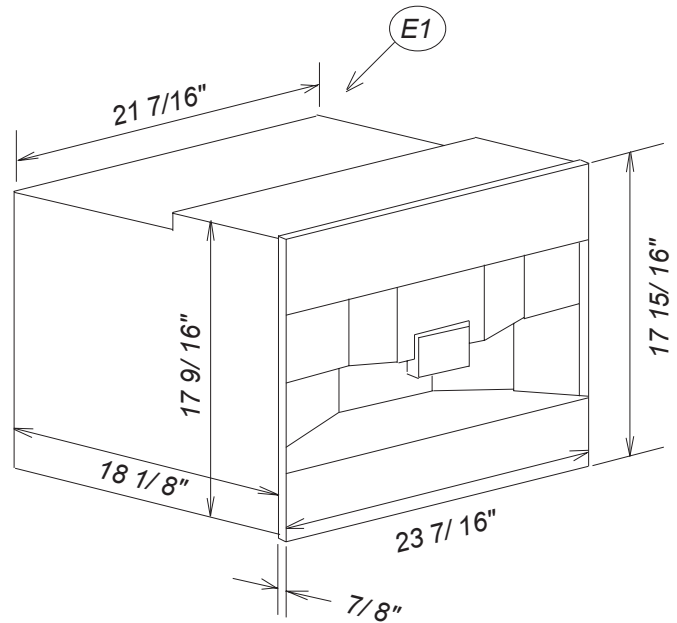
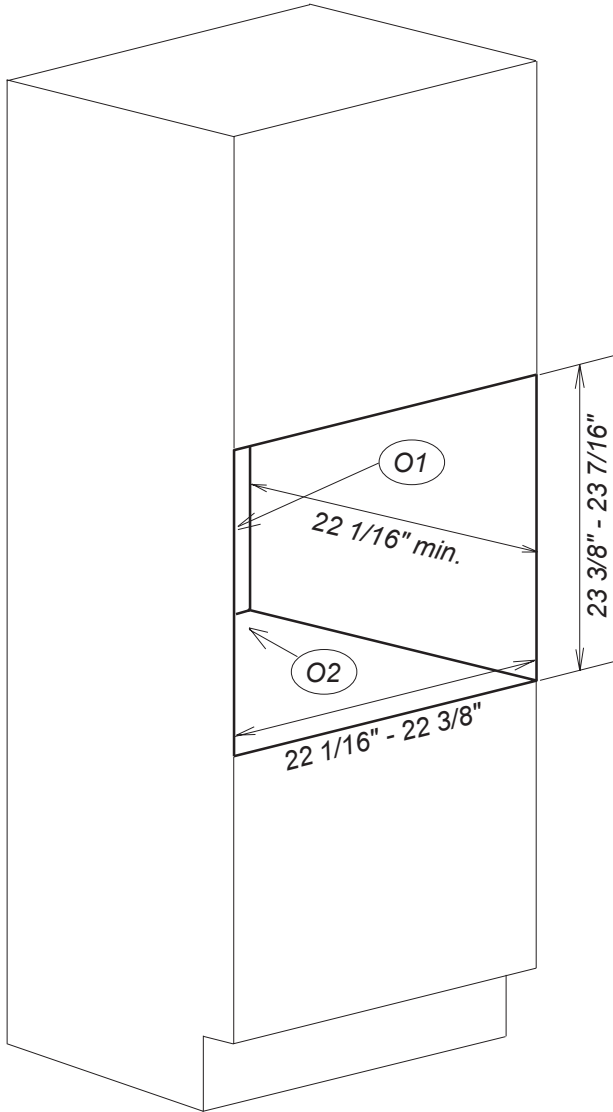


# Product and Cut-out Dimensions Plate Warmer and Coffee System EGW 601/14 & CVA615



## Location Codes

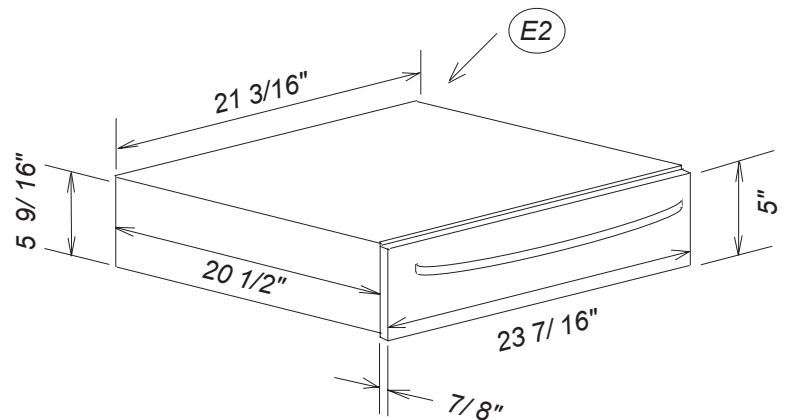
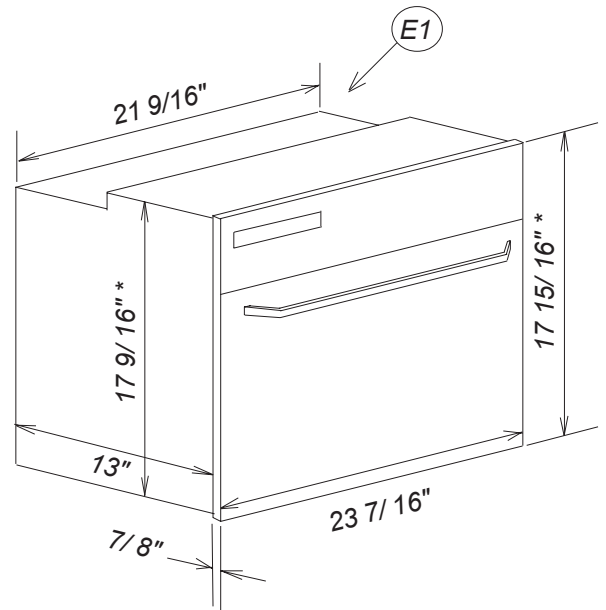
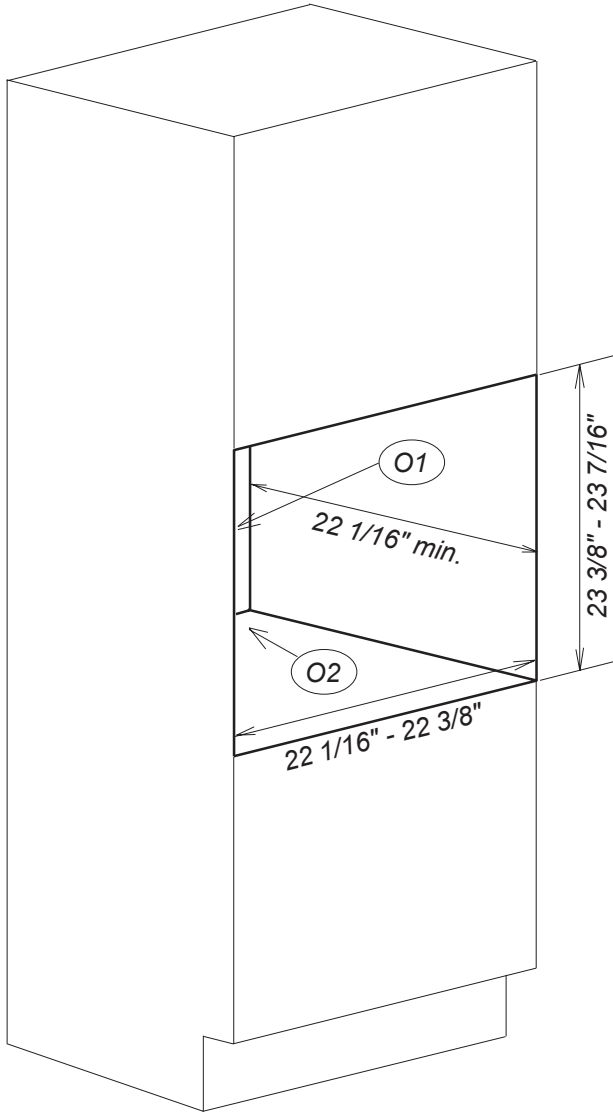
- E1 - Plugged electrical main connects left back side (NEMA 5-15P).
- O1 - 110 Volt - 15 Amp - 3 Wire outlet (live / neutral / ground - NEMA 5-15R). Locate 38" - 50" from floor.
- E2- Plugged electrical main connects left back side (NEMA 5-15P)
- O2 - 110 Volt - 15 Amp - 3 Wire outlet (live / neutral / ground - NEMA 5-15R) Locate as above

## Notes

- All installations must be done in accordance with local codes.

NOTE: Drawing is not to scale.  
SPECIFICATION SHEETS 010803

# Product and Cut-out Dimensions Plate Warmer and Steam Oven EGW 601/14 & DG155



Location Codes
E1 - Pigtail electrical main connects left back side .
O1 - 208-240 Volt - 20 Amp - 3-wire connection box (2 lives / ground). Locate 38" - 50" from floor.
E2- Plugged electrical main connects left back side (NEMA 5-15P)
O2 - 110 Volt - 15 Amp - 3 Wire outlet (live / neutral / ground - NEMA 5-15R) Locate as above
Notes
• All installations must be done in accordance with local codes.

NOTE: Drawing is not to scale.  
SPECIFICATION SHEETS 010803